

PRODUCT INFORMATION PACKET

Model No: 180LTFC6538
Catalog No: R343A
30,1800,TEFC,180L,3/60/230/460
TEFC



Regal and Marathon are trademarks of Regal Beloit Corporation or one of its affiliated companies.
©2018 Regal Beloit Corporation, All Rights Reserved. MC017097E





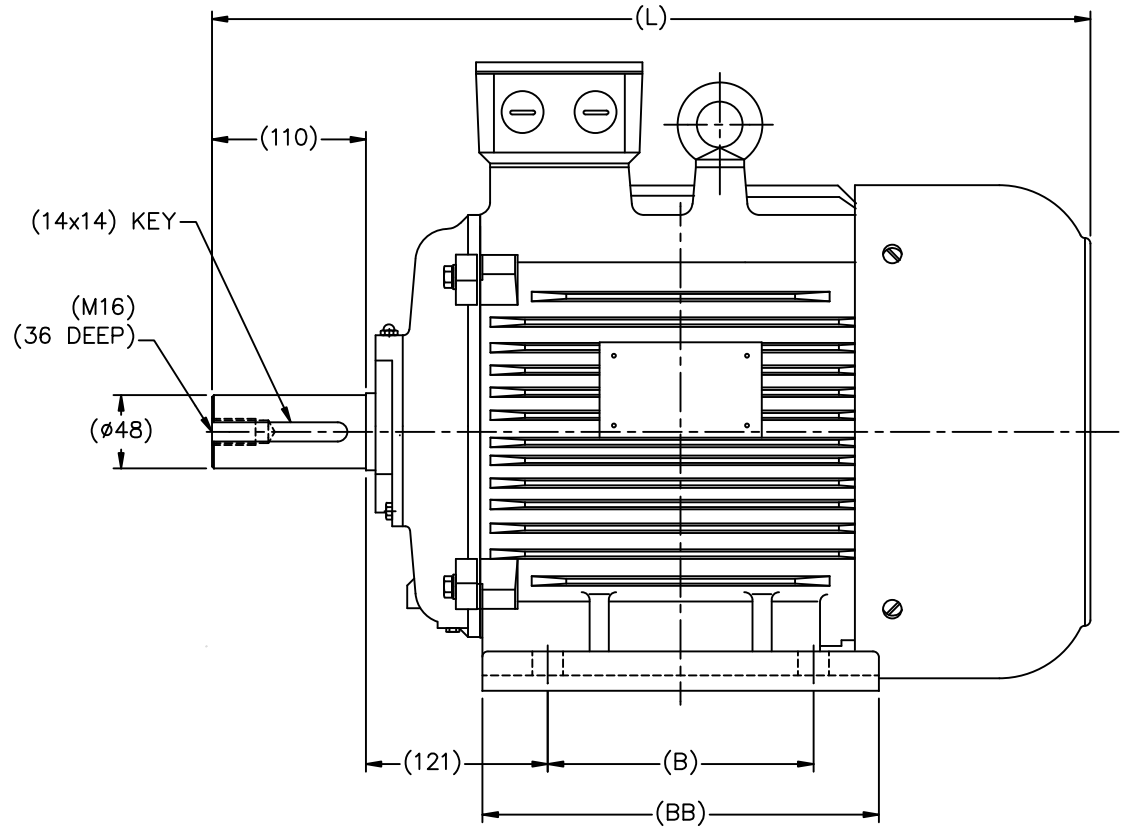
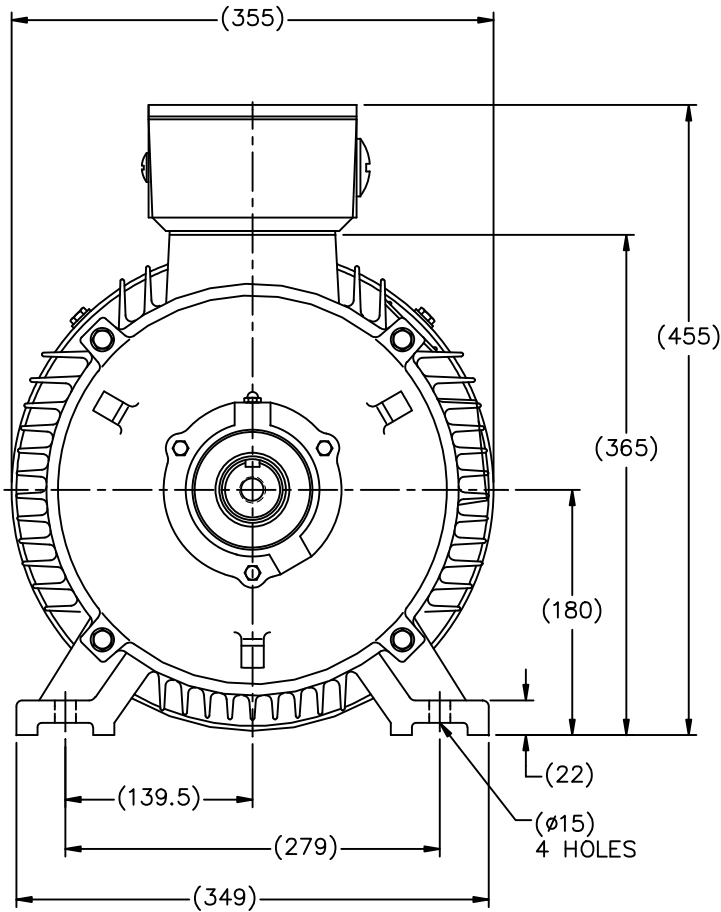
Nameplate Specifications

Output HP	30 Hp	Output KW	22.4 kW
Frequency	60 Hz	Voltage	230/460 V
Current	70.0/35.0 A	Speed	1770 rpm
Service Factor	1.15	Phase	3
Efficiency	94.1 %	Duty	Continuous
Insulation Class	F	Design Code	B
KVA Code	H	Frame	180L
Enclosure	Totally Enclosed Fan Cooled	Overload Protector	No
Ambient Temperature	40 °C	Drive End Bearing Size	6311
Opp Drive End Bearing Size	6211	UL	No
CSA	N	CE	Y
IP Code	55		

Technical Specifications

Electrical Type	Squirrel Cage Inverter Rated	Starting Method	Part Wdg Start & Wye Start Delta Run Or Inverter
Poles	4	Rotation	Reversible
Mounting	Rigid base	Motor Orientation	Horizontal
Drive End Bearing	Ball	Opp Drive End Bearing	Ball
Frame Material	Cast Iron	Shaft Type	IEC
Overall Length	26.77 in	Shaft Diameter	1.888 in
Shaft Extension	4.31 in	Assembly/Box Mounting	F3
Outline Drawing	B-SS622257	Connection Diagram	004172.03ME

This is an uncontrolled document once printed or downloaded and is subject to change without notice. Date Created: 06/29/2018



(MAY NOT BE DRAWN TO SCALE)

(DIMENSIONS ARE IN MILLIMETERS)

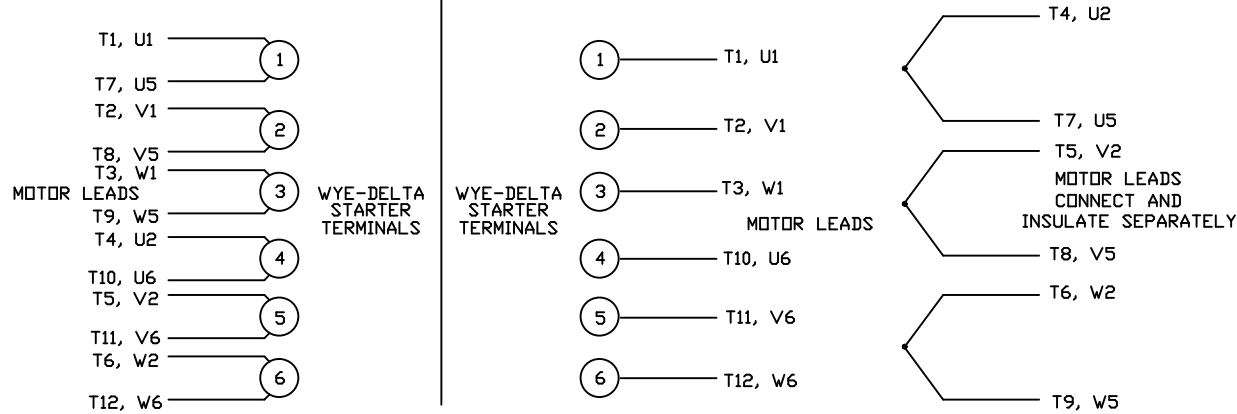
Cat.No	FRAME	B	BB	L
193324.60 193322.60	DF180M	241	311	680
193325.60 193320.60	DF180L	279	349	718

TOLERANCES UNLESS SPECIFIED		REGAL-BELOIT CORPORATION		DRAWN HLB 12-06-2010	
DEC.	METRIC	REGAL-BELOIT CORPORATION		CHK	DJK 12-17-2010
.X	±2.5	TITLE OUTLINE		APPD	SB 12-13-2010
.XX	±.76	DF180M,L-4,6		SCALE	1=18
.XXX	±.127	FINISH		REF	
.XXXX	±.0127	MAT'L		FMF	HEBEI
NO.	REVISION	BY & DATE	CHK	ANG	PREV
			RFP	12-22-2010	CAD FILE SS622257
THIS DRAWING IN DESIGN AND DETAIL IS OUR PROPERTY AND MUST NOT BE USED EXCEPT IN CONNECTION WITH OUR WORK ALL RIGHTS OF DESIGN AND INVENTION ARE RESERVED THIS IS AN ELECTRONICALLY GENERATED DOCUMENT - DO NOT SCALE THIS PRINT			DIST		
				SIZE	DRAWING NO. PAGE OF REV.
				B	SS622257

WYE - DELTA STARTING USEABLE ON 2,4 AND 6 POLE MOTORS.

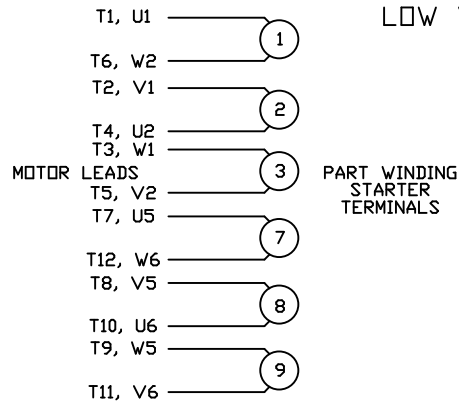
LOW VOLTAGE CONNECTION

HIGH VOLTAGE CONNECTION



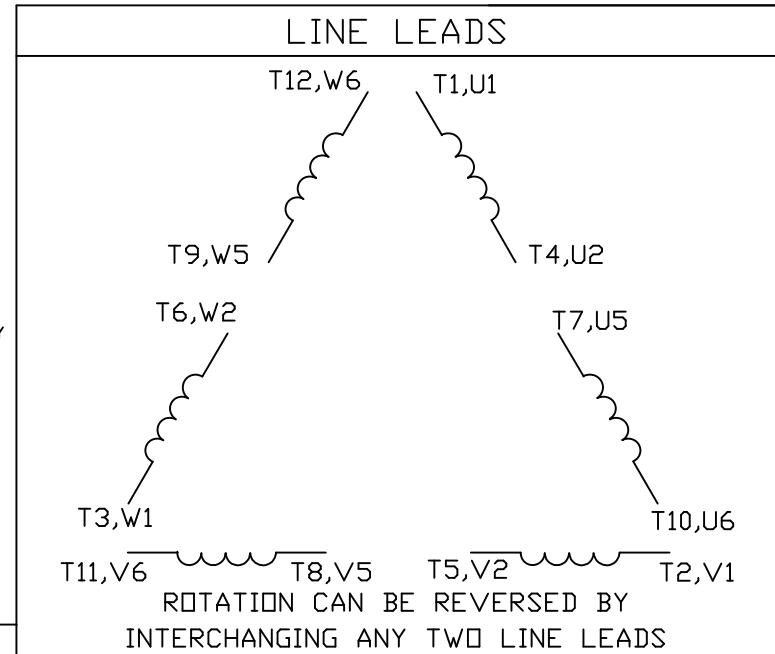
REFER TO THE WYE-DELTA STARTER CONNECTION INSTRUCTIONS FOR PROPER CONNECTION OF POWER LINES TO STARTER.

PART WINDING START USABLE ON 4 & 6 POLE MOTORS
LOW VOLTAGE CONNECTION ONLY



REFER TO THE PART WINDING STARTER INSTRUCTIONS FOR PROPER CONNECTION OF POWER LINES TO STARTER.

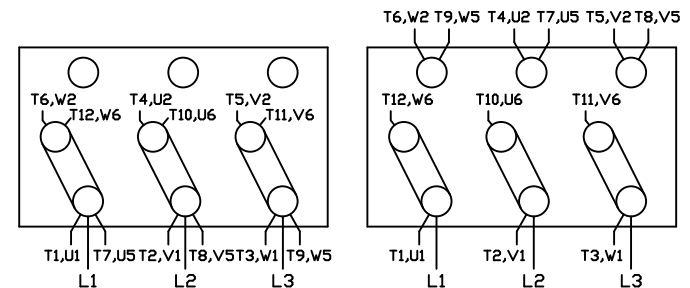
REFER TO THE CUTLER - HAMMER OR EQUIV. FOR PROPER SELECTION OF OVERLOAD HEATER COILS.



12 LEAD DELTA CONNECTION ACROSS THE LINE START
(FOR Y START DELTA RUN, REMOVE THE JUMPERS)

LOW VOLTAGE
(MUST BE REWIRED AS SHOWN)

HIGH VOLTAGE
(FACTORY WIRED FOR HIGH VOLTAGE AS SHOWN)



TOLERANCES UNLESS SPECIFIED

DEC. INCHES

.X ±.1

.XX ±.01

.XXX ±.005

.XXXX ±.0005

ANG ±1/2*



TITLE DELTA - WYE CONNECTION DIAGRAM
IEC CAST IRON MOTORS

MAT'L.

FINISH

DRAWN CJW 08/28/02

CHK

APPD

SCALE 1=1

REF

FMF

PREV

NO. REVISION BY & DATE

RFP

DIST

CAD FILE 00417203ME

SIZE DRAWING NO.

A 004172-03ME

REV.

THIS DRAWING IN DESIGN AND DETAIL IS OUR PROPERTY AND MUST NOT BE USED EXCEPT IN CONNECTION WITH OUR WORK ALL RIGHTS OF DESIGN AND INVENTION ARE RESERVED THIS IS AN ELECTRONICALLY GENERATED DOCUMENT - DO NOT SCALE THIS PRINT

Data Sheet

Date: 20-06-2017
 Customer: _____
 Attention: _____
 Submitted by: FAREEDA DUDEKULA



180LTC6538

Submittal

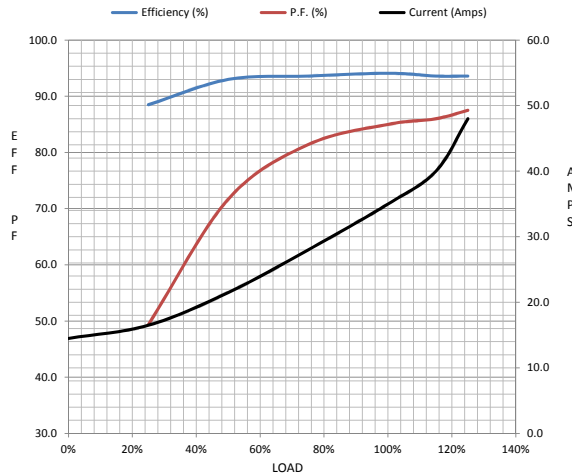
Data @ 460 V

Motor Load Data

Load	0%	25%	50%	75%	100%	115%	125%	LR
Current (Amps)	14.5	16.5	21.5	28.0	35.0	40.0	48.0	240
Torque (ft-lb)	0.00	21.9	44.1	66.4	89.0	103	112	172
RPM	1800	1792	1783	1775	1770	1,767	1762	0
Efficiency (%)		88.5	93.0	93.6	94.1	93.6	93.6	
P.F. (%)	5.7	49.4	71.7	81.4	85.0	86.0	87.5	0.0

Motor Speed Data

	LR	Pull-Up	BD	Rated	Idle
Speed (RPM)	0	900	1700	1770	1800
Current (Amps)	240	215	150	35.0	14.5
Torque (ft-lb)	172	155	247	89.0	0.00



Information Block				
HP	30.0			
Sync. RPM	1800			
Frame	286			
Enclosure	TEFC			
Construction	TFC			
Voltage	30/460#200/40V			
Frequency	60 Hz			
Design	A			
LR Code letter	H			
Service Factor	1.15			
Temp Rise @ FL	46 ° C			
Duty	CONT			
Ambient	40 ° C			
Elevation	1,000 feet			
Rotor/Shaft wk ²	4.7 Lb-FT ²			
Ref Wdg	T14504006 NONE			
Sound Pressure @ 1M	75 dBA			
VFD Rating	CONSTANT 20:1			
Outline Dwg	B-SS622257			
Conn. Diag	004172.03ME			
Additional Specifications:				
0				
365THFS8036				
EQUIV CKT (OHMS / PHASE)				
R1	R2	X1	X2	Xm
0.0000	0.0000	0.0000	0.0000	0.0000

Speed -Torque Curve

