

PRODUCT INFORMATION PACKET

marathon[®]
Motors

Model No: 182TCDW7074
Catalog No: Z405A
2,1800,DP,184JM,1/60/115/230
JM



Regal and Marathon are trademarks of Regal Beloit Corporation or one of its affiliated companies.
©2018 Regal Beloit Corporation, All Rights Reserved. MC017097E

REGAL[®]



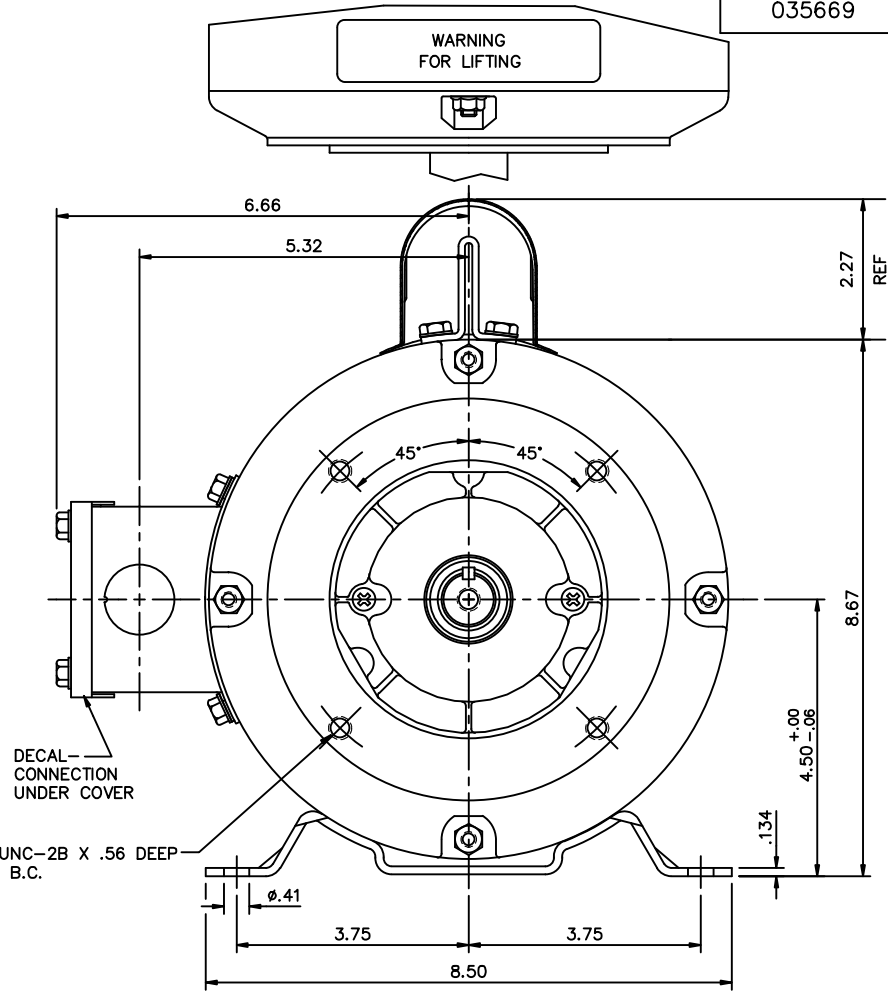
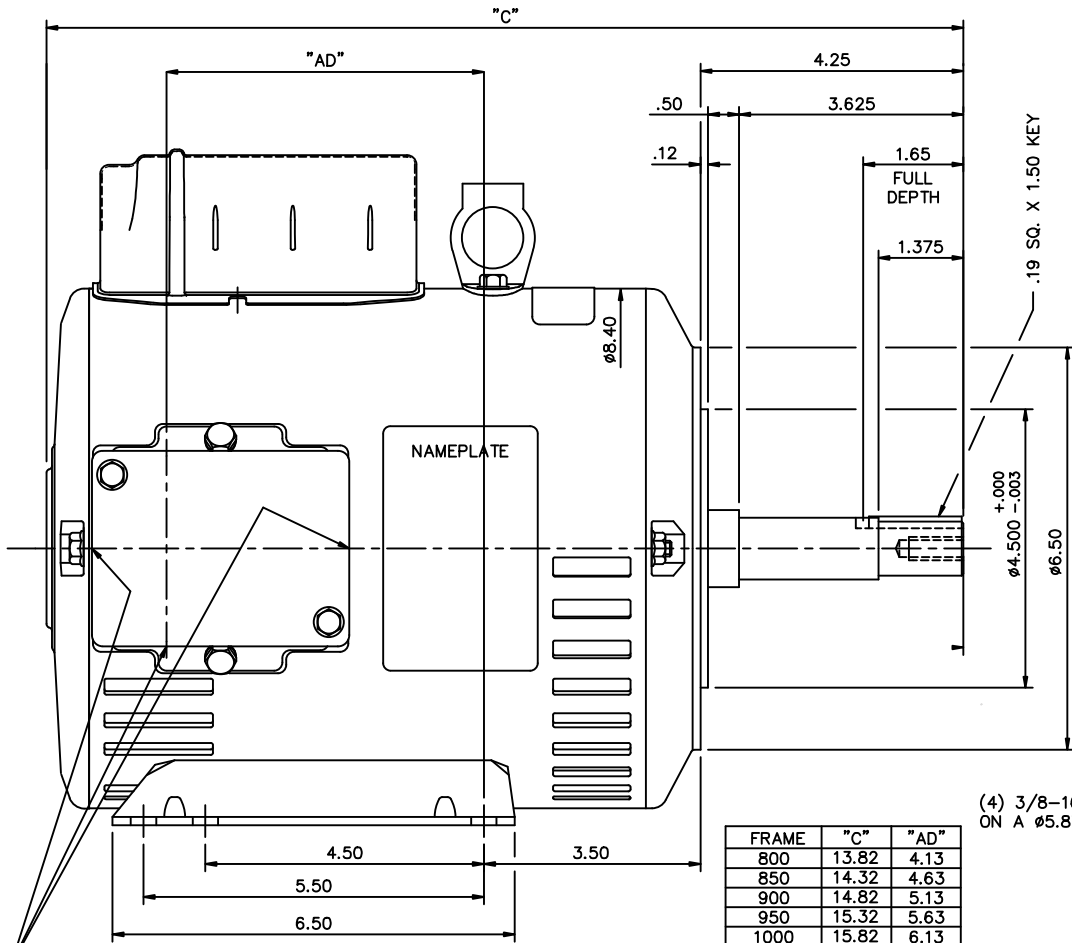
Nameplate Specifications

Output HP	2 Hp	Output KW	1.5 kW
Frequency	60 Hz	Voltage	115/230 V
Current	23.0/11.5 A	Speed	1750 rpm
Service Factor	1.15	Phase	1
Efficiency	75.5 %	Duty	Continuous
Insulation Class	F	Design Code	L
KVA Code	J	Frame	182JM
Enclosure	Drip Proof	Overload Protector	No
Ambient Temperature	40 °C	Drive End Bearing Size	6207
Opp Drive End Bearing Size	6205	UL	Recognized
CSA	Y	CE	Y
IP Code	22		

Technical Specifications

Electrical Type	Capacitor Start Induction Run	Starting Method	Across The Line
Poles	4	Rotation	Selective Counterclockwise
Mounting	Rigid base	Motor Orientation	Horizontal
Drive End Bearing	Ball	Opp Drive End Bearing	Ball
Frame Material	Rolled Steel	Shaft Type	JM
Overall Length	14.82 in	Frame Length	9.00 in
Shaft Diameter	0.875 in	Shaft Extension	4.25 in
Assembly/Box Mounting	F1 Only		
Outline Drawing	035669-900	Connection Diagram	005062.01ME

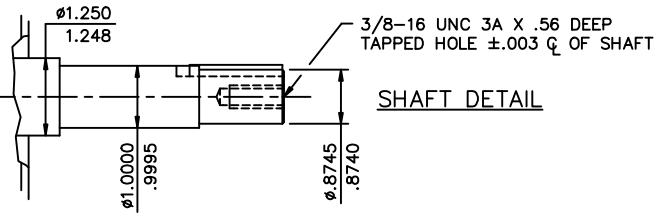
This is an uncontrolled document once printed or downloaded and is subject to change without notice. Date Created: 06/29/2018



(4) 3/8-16 UNC-2B X .56 DEEP ON A Ø5.875 B.C.

FRAME	"C"	"AD"
800	13.82	4.13
850	14.32	4.63
900	14.82	5.13
950	15.32	5.63
1000	15.82	6.13
1050	16.32	6.63
1100	16.82	7.13
1150	17.32	7.63
1200	17.82	8.13

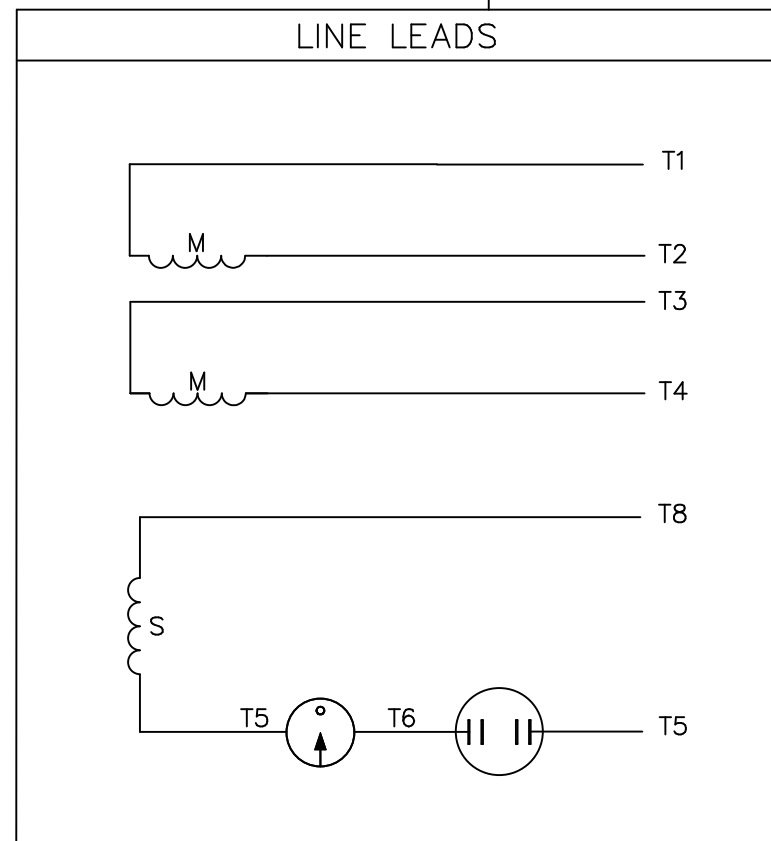
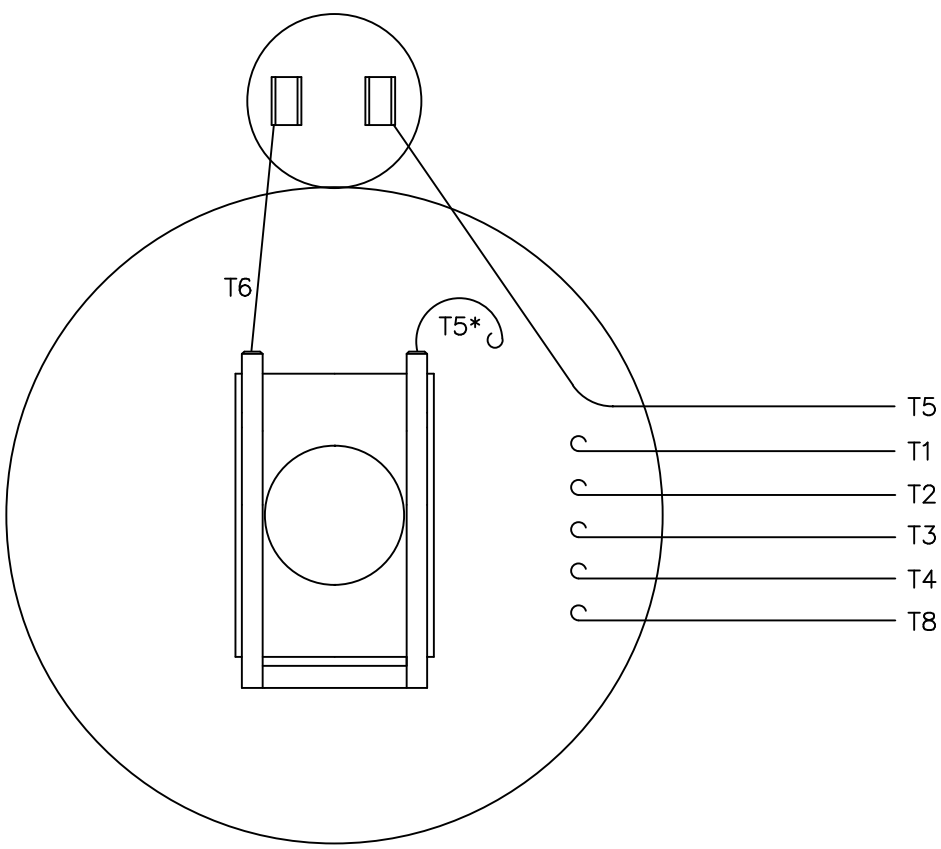
(3) Ø1.13 KNOCKOUTS



GASKETS THROUGHOUT
 MAXIMUM FACE RUNOUT TO BE .004 T.I.R.
 MAXIMUM PILOT ECCENTRICITY TO BE .004 T.I.R.
 PERMISSIBLE SHAFT RUNOUT TO BE .002 T.I.R.

REVISION		BY & DATE	CHK	ANG	FINISH	MARATHON ELECTRIC		DRAWN	GRB	04/18/08
A	REMOVED L FROM THE TABLE	VV 7/1/2009				MARATHON ELECTRIC		CHK	YS	04/18/08
NO.	REVISION	BY & DATE	CHK	ANG	FINISH	TITLE		APPD		
						OUTLINE- 180T FRAME DRIP PROOF- RIGID		SCALE	1=2	
								REF	035472	
								FMF	184TCDW7047	
THIS DRAWING IN DESIGN AND DETAIL IS OUR PROPERTY AND MUST NOT BE USED EXCEPT IN CONNECTION WITH OUR WORK ALL RIGHTS OF DESIGN AND INVENTION ARE RESERVED THIS IS AN ELECTRONICALLY GENERATED DOCUMENT - DO NOT SCALE THIS PRINT								PREV		
						RFP	CAD FILE	035669	SIZE	DRAWING NO.
						DIST		B	035669	REV.
									A	

VIEW FROM OUTSIDE OF MOTOR AT SWITCH END.



	ROTATION FACING LEAD END	L1	L2	JOIN
HIGH VOLT	C.C.W.	T1	T4 T5	T2, T3 T8
	C.W.	T1	T4 T8	T2, T3 T5
LOW VOLT	C.C.W.	T1, T3 T8	T2, T4 T5	-----
	C.W.	T1, T3 T5	T2, T4 T8	-----

* THIS LEAD MAY BE WHITE

		TOLERANCES UNLESS SPECIFIED			
		DEC.	INCHES		
		.X	±.1		
		.XX	±.01		
		.XXX	±.005		
		.XXXX	±.0005		
NO.	REVISION	BY & DATE	CHK	ANG	±1/2'



TITLE
EXT. WIRING DIAGRAM
TYPE "C" W/O PROTECTOR

MAT'L.
DECAL - 004012

FINISH

DRAWN RDW 6/30/03

CHK

APPD

SCALE 1=1

REF

FMF 139043

PREV

THIS DRAWING IN DESIGN AND DETAIL IS OUR PROPERTY AND MUST NOT BE USED EXCEPT IN CONNECTION WITH OUR WORK ALL RIGHTS OF DESIGN AND INVENTION ARE RESERVED THIS IS AN ELECTRONICALLY GENERATED DOCUMENT - DO NOT SCALE THIS PRINT		RFP	CAD FILE	00506201ME	SIZE	DRAWING NO.	REV.
		DIST			A	005062-01ME	

CERTIFICATION DATA SHEET

Model#: 182TCDW7074 AA WINDING#: C8434 NONE 3
 CONN. DIAGRAM: 005062.01ME ASSEMBLY: F1 ONLY
 OUTLINE: 035669-900

TYPICAL MOTOR PERFORMANCE DATA

HP	KW	SYNC. RPM	F.L. RPM	FRAME	ENCLOSURE	KVA CODE	DESIGN
2	1.49	1800	1750	182JM	DP	J	L

PH	Hz	VOLTS	FL AMPS	START TYPE	DUTY	INSL	S.F	AMB°C	ELEVATION
1	60	115/230	23/11.5	ACROSS THE LINE	CONTINUOUS	F4	1.15	40	3300

FULL LOAD EFF: 75.5	3/4 LOAD EFF: 74.4	1/2 LOAD EFF: 70.5	GTD. EFF	ELEC. TYPE	NO LOAD AMPS
FULL LOAD PF: 74	3/4 LOAD PF: 66.5	1/2 LOAD PF: 54	0	CAP START IND RUN	15 / 7.5

F.L. TORQUE	LOCKED ROTOR AMPS	L.R. TORQUE	B.D. TORQUE	F.L. RISE°C
6 LB-FT	137.4 / 68.7	14.7 LB-FT 245	14.6 LB-FT 243	45

SOUND PRESSURE @ 3 FT.	SOUND POWER	ROTOR WK^2	MAX. WK^2	SAFE STALL TIME	STARTS /HOUR	APPROX. MOTOR WGT
0 dBA	10 dBA	0.31 LB-FT^2	0 LB-FT^2	10 SEC.	0	0 LBS.

*** SUPPLEMENTAL INFORMATION ***

DE BRACKET TYPE	ODE BRACKET TYPE	MOUNT TYPE	ORIENTATION	SEVERE DUTY	HAZARDOUS LOCATION	DRIP COVER	SCREENS	PAINT
C-FACE	STANDARD	RIGID	HORIZONTAL	FALSE	NONE	FALSE	NONE	BLUE (ENAMEL)

BEARINGS		GREASE	SHAFT TYPE	SPECIAL DE	SPECIAL ODE	SHAFT MATERIAL	FRAME MATERIAL
DE	OPE						
BALL	BALL	POLYREX EM	JM	NONE	NONE	AISI 1045 (C-240)	ROLLED STEEL
6207	6205						

THERMO-PROTECTORS				THERMISTORS	CONTROL	SPACE /n HEATERS
THERMOSTATS	PROTECTORS	WDG RTDs	BRG RTDs			
NONE	NOT	NONE	NONE	NONE	FALSE	NONE VOLTS

If Inverter equals NONE, contact factory for further information

INVERTER TORQUE: NONE
INV. HP SPEED RANGE: NONE
ENCODER: NONE
NONE NONE
NONE NONE PPR
BRAKE: NONE NONE
NONE P/N NONE
NONE NONE
NONE FT-LB NONE V NONE Hz

*
N
O
T
E
S
*

DATE: 06/27/2017 01:08:27 AM
 FORM 3531 REV.3 02/07/99

** Subject to change without notice.