

PRODUCT INFORMATION PACKET

Model No: 182TTDW16021
Catalog No: E153B
5,3600,182JMV,DP,3/60/230/460
JM



Regal and Marathon are trademarks of Regal Beloit Corporation or one of its affiliated companies.
©2018 Regal Beloit Corporation, All Rights Reserved. MC017097E





Nameplate Specifications

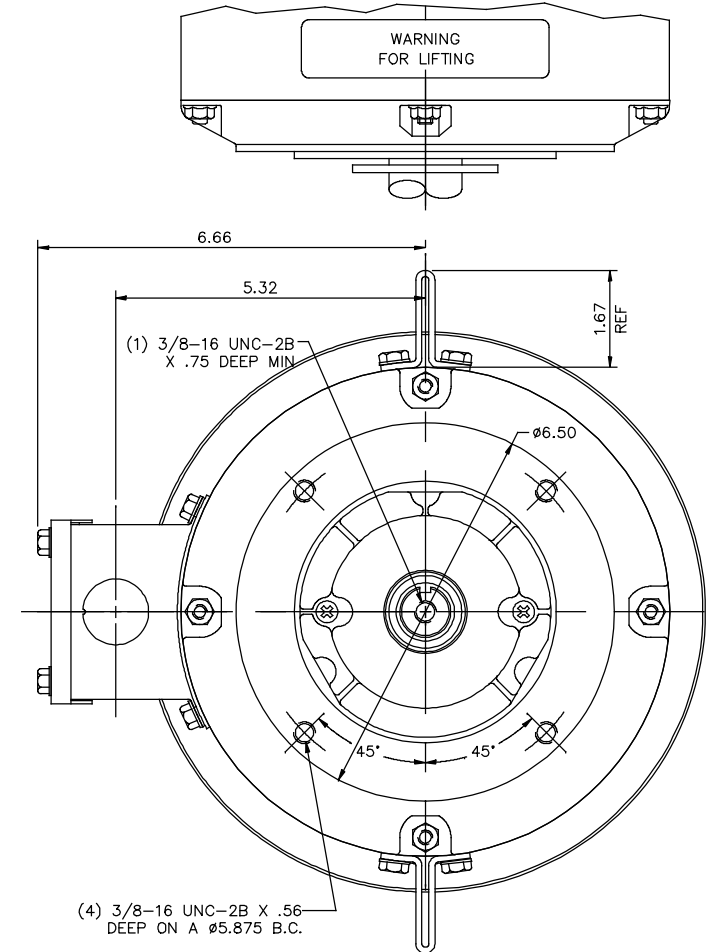
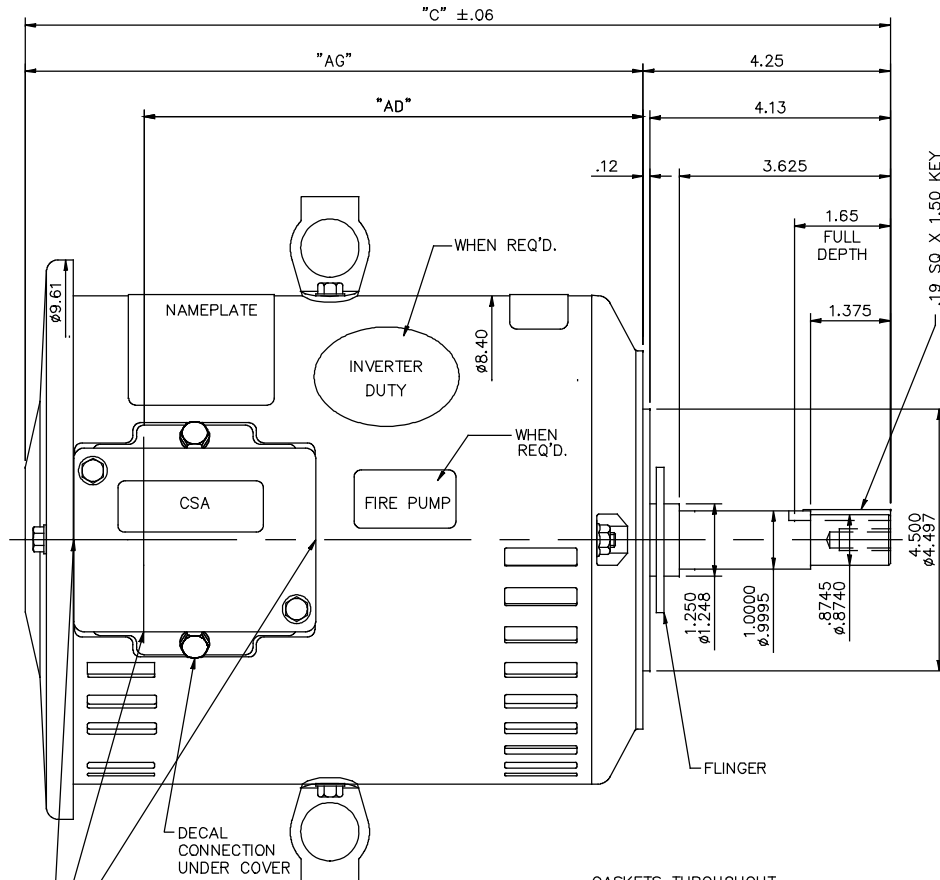
Output HP	5 Hp	Output KW	3.7 kW
Frequency	60 Hz	Voltage	230/460 V
Current	12.4/6.2 A	Speed	3500 rpm
Service Factor	1.15	Phase	3
Efficiency	86.5 %	Duty	Continuous
Insulation Class	F	Design Code	B
KVA Code	J	Frame	182JMV
Enclosure	Drip Proof	Overload Protector	No
Ambient Temperature	40 °C	Drive End Bearing Size	6207
Opp Drive End Bearing Size	6205	UL	Recognized
CSA	Y	CE	Y
IP Code	12		

Technical Specifications

Electrical Type	Squirrel Cage Induction Run	Starting Method	Across The Line
Poles	2	Rotation	Reversible
Mounting	Round	Motor Orientation	Shaft Down
Drive End Bearing	Ball	Opp Drive End Bearing	Ball
Frame Material	Rolled Steel	Shaft Type	JM
Overall Length	14.95 in	Frame Length	9.00 in
Shaft Diameter	0.875 in	Shaft Extension	4.25 in
Assembly/Box Mounting	F1 Only		
Outline Drawing	035547-900	Connection Diagram	005010.01

This is an uncontrolled document once printed or downloaded and is subject to change without notice. Date Created: 06/29/2018

035547



Ø1.13 KNOCKOUTS
(3) REQUIRED

DASH NO.	"C"	"AG"	"AD"
850	14.45	10.20	8.13
900	14.95	10.70	8.63
950	15.45	11.20	9.13
1000	15.95	11.70	9.63
1050	16.45	12.20	10.13
1100	16.95	12.70	10.63
1150	17.45	13.20	11.13

MAXIMUM FACE RUNOUT TO BE .004 T.I.R.
MAXIMUM PILOT ECCENTRICITY TO BE .004 T.I.R.

NO.	REVISION	BY & DATE	CHK	ANG	FINISH
05	UPDATED PER ECR-0141965	MVG 10/09/17	SR		
04	UPDATED REGAL LOGO	SS 05/17/16	SS		
03	"C", "AG" & "AD" DIM. UPDATED ON DASH #TABLE	PVR 11/21/12	JD	.XX	±.03
02	KEY WAS .19 SQ X 1.75	JD 7/15/2011	JD	.XXX	±.005
01	ADD UL DECAL PER ISAAC 11-1098	LST 3/9/11	LST	.XXXX	±.0005

TOLERANCES UNLESS SPECIFIED		Regal Beloit America, Inc.	DRAWN	VV 18/08/07
DEC.	INCHES		CHK	
RFP	CAD FILE	035547	SIZE	DRAWING NO.
DIST			B	035547
				REV.
				05

THIS DRAWING IN DESIGN AND DETAIL IS OUR PROPERTY AND MUST NOT BE USED EXCEPT IN CONNECTION WITH OUR WORK. ALL RIGHTS OF DESIGN AND INVENTION ARE RESERVED. THIS IS AN ELECTRONICALLY GENERATED DOCUMENT - DO NOT SCALE THIS PRINT

005010-01

VIEW FROM OUTSIDE OF MOTOR AT SWITCH END.



VOLTAGE	L1	L2	L3	JOIN & INSULATE
HIGH	T1	T2	T3	(T4,T7) (T5,T8) (T6,T9)
LOW	T1,T7	T2,T8	T3,T9	T4,T5,T6

				TOLERANCES UNLESS SPECIFIED		Regal Beloit America, Inc.		DRAWN RDW 04/12/02				
				DEC.	INCHES			CHK				
				.X	±.1			APPD				
				.XX	±.01			SCALE 1=1				
				.XXX	±.005	TITLE		REF FIG.2-51				
A	UPDATED TO REGAL LOGO			SAJ	06/26/15	AJY	.XXXX	±.0005	MAT'L. DECAL - 004014	FMF		
NO.	REVISION			BY & DATE	CHK	ANG	±1/2"	FINISH	PREV			
THIS DRAWING IN DESIGN AND DETAIL IS OUR PROPERTY AND MUST NOT BE USED EXCEPT IN CONNECTION WITH OUR WORK ALL RIGHTS OF DESIGN AND INVENTION ARE RESERVED THIS IS AN ELECTRONICALLY GENERATED DOCUMENT - DO NOT SCALE THIS PRINT				RFP	04/12/02		CAD FILE	00501001		SIZE	DRAWING NO.	REV.
				DIST	BRF-NLV				A	005010-01		A

CERTIFICATION DATA SHEET

Model#: 182TTDW16021 AA **WINDING#:** T82117 R1 3
CONN. DIAGRAM: 005010.01 **ASSEMBLY:** F1 ONLY
OUTLINE: 035547-900

TYPICAL MOTOR PERFORMANCE DATA

HP	KW	SYNC. RPM	F.L. RPM	FRAME	ENCLOSURE	KVA CODE	DESIGN
5&5	3.7&3.7	3600	3500&2865	182JMV	DP	J	B

PH	Hz	VOLTS	FL AMPS	START TYPE	DUTY	INSL	S.F	AMB°C	ELEVATION
3	60/50	230/460#190/ 380	12.4/6.2&15.2/ 7.6	ACROSS THE LINE	CONTINUOU S	F4	1.15/1.15	40	3300

FULL LOAD EFF: 86.5&83	3/4 LOAD EFF: 86.5	1/2 LOAD EFF: 84.6	GTD. EFF	ELEC. TYPE	NO LOAD AMPS
			83.8	SQ CAGE IND RUN	5 / 2.5

F.L. TORQUE	LOCKED ROTOR AMPS	L.R. TORQUE	B.D. TORQUE	F.L. RISE°C
7.5 LB-FT	91 / 45.5	16.1 LB-FT 215	25 LB-FT 333	30

SOUND PRESSURE @ 3 FT.	SOUND POWER	ROTOR WK^2	MAX. WK^2	SAFE STALL TIME	STARTS /HOUR	APPROX. MOTOR WGT
71 dBA	81 dBA	0.18 LB-FT^2	7 LB-FT^2	15 SEC.	2	64 LBS.

***** SUPPLEMENTAL INFORMATION *****

DE BRACKET TYPE	ODE BRACKET TYPE	MOUNT TYPE	ORIENTATION	SEVERE DUTY	HAZARDOUS LOCATION	DRIP COVER	SCREENS	PAINT
C-FACE	STANDARD	ROUND	SHAFT DOWN	FALSE	NONE	TRUE	NONE	BLUE (ENAMEL)

BEARINGS		GREASE	SHAFT TYPE	SPECIAL DE	SPECIAL ODE	SHAFT MATERIAL	FRAME MATERIAL
DE	OPE	POLYREX EM	JM	NONE	NONE	AISI 1045 (C-240)	ROLLED STEEL
BALL	BALL						
6207	6205						

THERMO-PROTECTORS				THERMISTORS	CONTROL	SPACE /n HEATERS
THERMOSTATS	PROTECTORS	WDG RTDs	BRG RTDs	NONE	FALSE	NONE VOLTS
NONE	NOT	NONE	NONE			

If Inverter equals NONE, contact factory for further information

*
N
O
T
E
S
*

INVERTER TORQUE: NONE
INV. HP SPEED RANGE: NONE
ENCODER: NONE
NONE NONE
NONE NONE PPR
BRAKE: NONE NONE
NONE P/N NONE
NONE NONE
NONE FT-LB NONE V NONE Hz

DATE: 06/27/2017 01:42:32 AM
 FORM 3531 REV.3 02/07/99
 ** Subject to change without notice.

Data Sheet

182TTDW16021



Submission
Data @ 460 V

Date: 6/20/2017

Customer:
Attention:
Submitted by: FAREEDA DUDEKULA

Motor Load Data

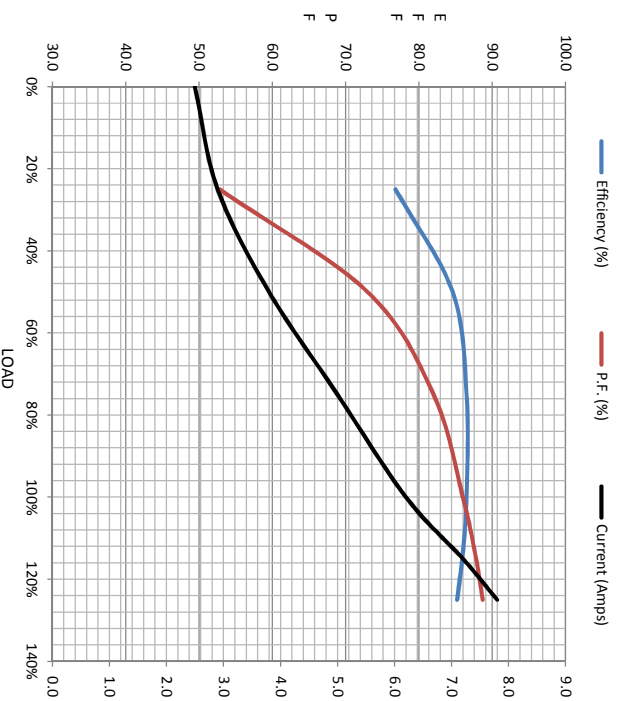
Load	0%	25%	50%	75%	100%	115%	125%	LR
Current (Amps)	2.50	2.90	3.8	5.0	6.2	7.2	7.8	45.5
Torque (ft-lb)	0.00	1.80	3.7	5.6	7.5	8.7	9.5	16.1
RPM	3600	3576	3552	3526	3500	3,478	3465	0
P.F. (%)	13.0	52.8	73.0	82.0	86.0	87.8	88.7	55.5

Motor Speed Data

	LR	Pull-Up	BD	Rated	Idle
Speed (rpm)	0	1800	2900	3500	3600
Current (Amps)	45.5	41.0	28.9	6.2	2.50
Torque (ft-lb)	16.1	14.5	25.0	7.5	0.00

Information Block

HP	5.0			
Sync. RPM	3600			
Frame	182			
Enclosure	DP			
Construction	TDW			
Voltage	30/460#190/38 V			
Frequency	60 HZ			
Design	B			
LR Code letter	J			
Service Factor	1.15			
Temp Rise @ FL	30 °C			
Duty	CONT			
Ambient	40 °C			
Elevation	1,000 feet			
Rotor/Shaft wkt	0.18 Lb-Fe			
Rel Wdg	T82117 R1			
Sound Pressure @ 1M	71 dBA			
VFD Rating	NONE			
Outline Dwg	035547-900			
Conn. Diag	005010.01			
Additional Specifications:				
EQUIV CKT (OHMS / PHASE)				
R1	R2	X1	X2	Xm
1.3270	1.2190	3.0560	1.6670	97.8640



Speed -Torque Curve

