

PRODUCT INFORMATION PACKET

marathon[®]
Motors

Model No: 182TTDW16049
Catalog No: U426B
3,1800,DP,182T,3/60/230/460
Open Drip Proof (ODP)



Regal and Marathon are trademarks of Regal Beloit Corporation or one of its affiliated companies.
©2018 Regal Beloit Corporation, All Rights Reserved. MC017097E

REGAL[®]



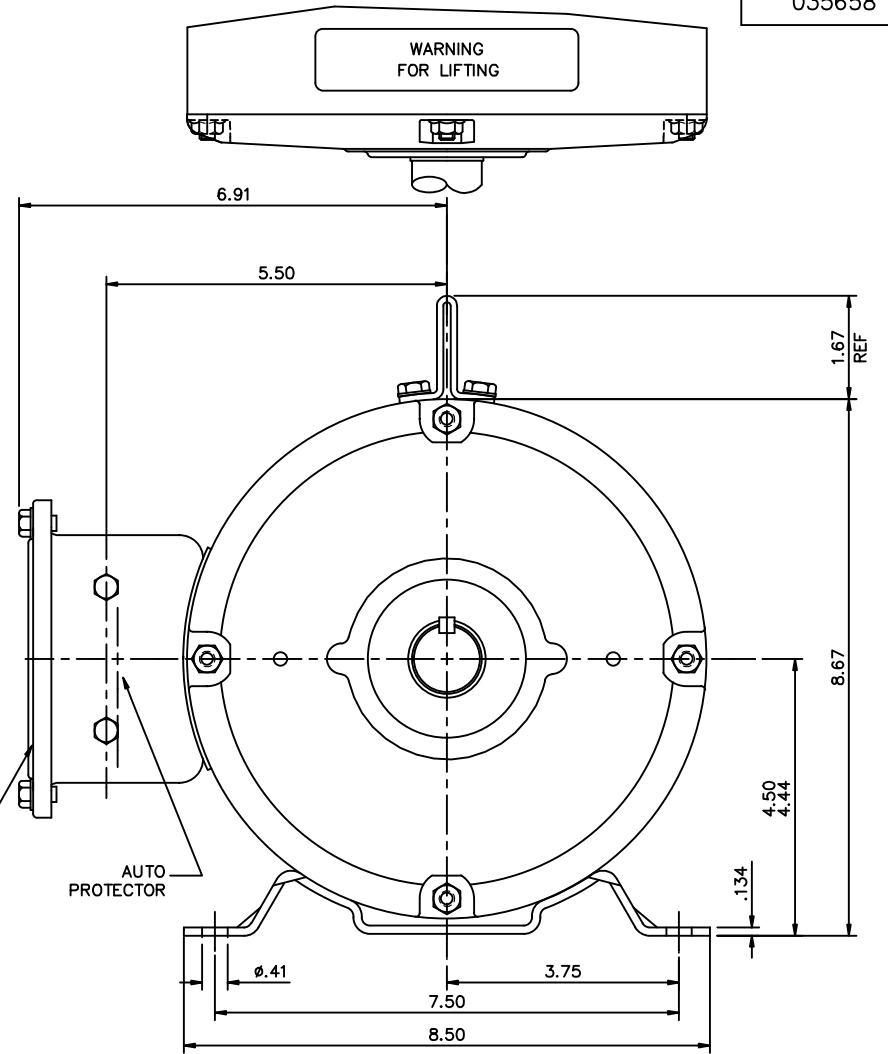
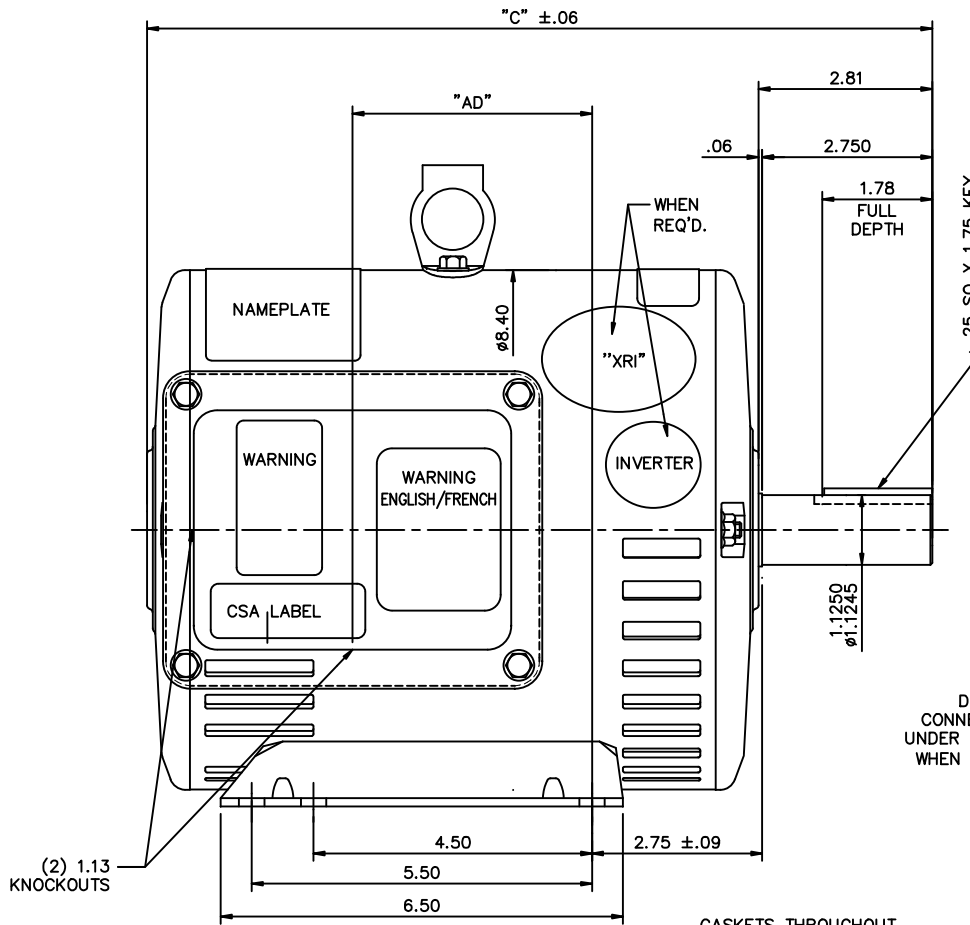
Nameplate Specifications

Output HP	3 Hp	Output KW	2.2 kW
Frequency	60 Hz	Voltage	230/460 V
Current	8.0/4.0 A	Speed	1760 rpm
Service Factor	1.15	Phase	3
Efficiency	89.5 %	Duty	Continuous
Insulation Class	F	Design Code	B
KVA Code	K	Frame	182T
Enclosure	Drip Proof	Overload Protector	Automatic
Ambient Temperature	40 °C	Drive End Bearing Size	6206
Opp Drive End Bearing Size	6205	UL	Recognized
CSA	Y	CE	Y
IP Code	22		

Technical Specifications

Electrical Type	Squirrel Cage Induction Run	Starting Method	Across The Line
Poles	4	Rotation	Reversible
Mounting	Rigid base	Motor Orientation	Horizontal
Drive End Bearing	Ball	Opp Drive End Bearing	Ball
Frame Material	Rolled Steel	Shaft Type	T
Overall Length	13.19 in	Frame Length	9.00 in
Shaft Diameter	1.125 in	Shaft Extension	2.81 in
Assembly/Box Mounting	F1 Only		
Outline Drawing	035658-900	Connection Diagram	005020.02ME

This is an uncontrolled document once printed or downloaded and is subject to change without notice. Date Created: 06/29/2018



GASKETS THROUGHOUT

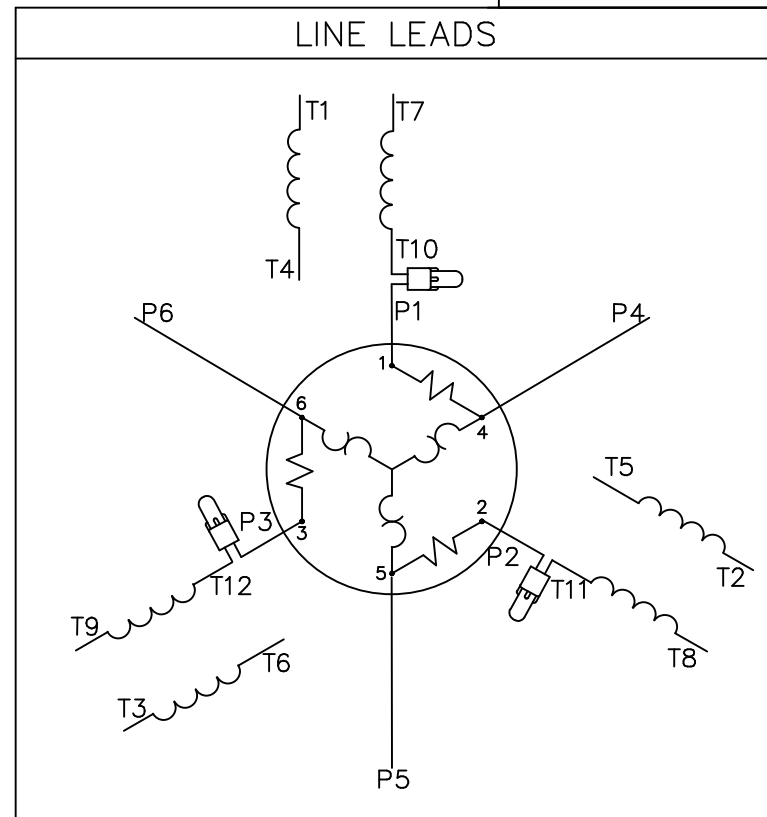
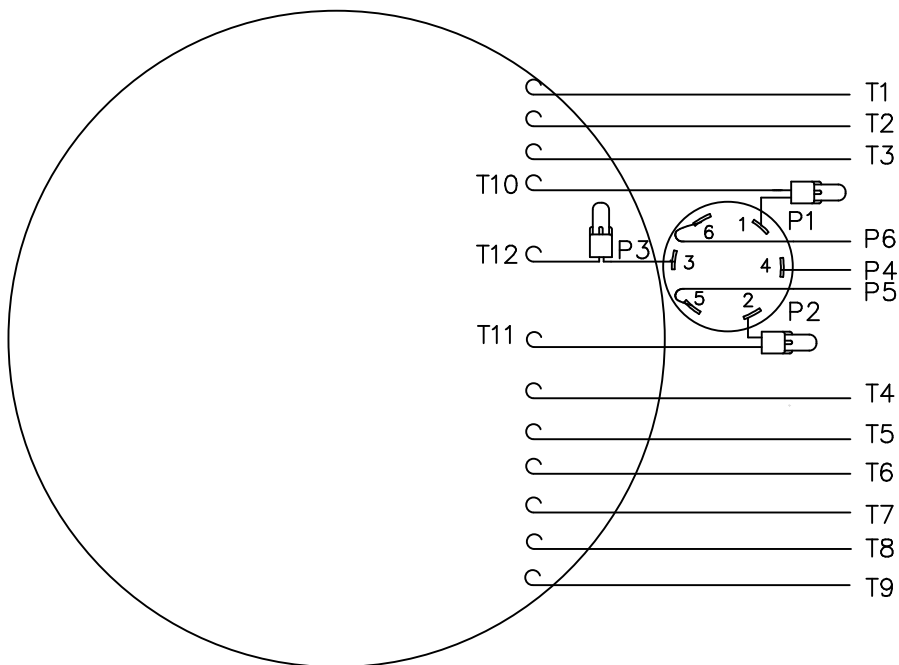
(2) 1.13 KNOCKOUTS

DASH NO.	"C"	"AD"
850	12.69	3.87
900	13.19	4.37
950	13.69	4.87
1000	14.19	5.37
1050	14.69	5.87
1100	15.19	6.37
1150	15.69	6.87
1200	16.19	7.37

REVISION		BY & DATE	CHK	ANG	FINISH	PREV
01	AD DIM UPDATED	AK 03/07/2011				
THIS DRAWING IN DESIGN AND DETAIL IS OUR PROPERTY AND MUST NOT BE USED EXCEPT IN CONNECTION WITH OUR WORK ALL RIGHTS OF DESIGN AND INVENTION ARE RESERVED THIS IS AN ELECTRONICALLY GENERATED DOCUMENT - DO NOT SCALE THIS PRINT			RFP		CAD FILE	035658
			DIST	NLV		

TOLERANCES UNLESS SPECIFIED		MARATHON ELECTRIC		DRAWN
DEC.	INCHES			YS 03/20/08
.X	±.1			CHK
.XX	±.03	TITLE		APPD
.XXX	±.005	OUTLINE - 180T FRAME		SCALE 1=2
.XXXX	±.0005	DRIP PROOF - RIGID		REF 035621
		MAT'L		FMF 182TDDW4074
		SIZE		REV.
		B		035658
		DRAWING NO.		01

VIEW FROM OUTSIDE OF MOTOR AT SWITCH END.



VOLTAGE	L1	L2	L3	JOIN	SEPARATE
HIGH	T1	T2	T3	(T4, T7) (T5, T8) (T6, T9)	(P4) (P5) (P6)
LOW	T1, T7	T2, T8	T3, T9	(T4, P4) (T5, P5) (T6, P6)	

		TOLERANCES UNLESS SPECIFIED		MARATHON ELECTRIC		DRAWN	LST 7/2/08		
		DEC.	INCHES			CHK			
		.X	±.1			APPD			
		.XX	±.01	TITLE		SCALE	1=1		
		.XXX	±.005	EXTERNAL WIRING DIAGRAM TYPE T W/ PROTECTOR		REF			
		.XXXX	±.0005	MAT'L.		FMF			
			±1/2"	FINISH		PREV			
NO.	REVISION	BY & DATE	CHK	ANG	CAD FILE	SIZE	DRAWING NO.	PAGE OF	REV.
			RFP		00502002ME	A	005020-02ME		
			DIST						

THIS DRAWING IN DESIGN AND DETAIL IS OUR PROPERTY AND MUST NOT BE USED EXCEPT IN CONNECTION WITH OUR WORK ALL RIGHTS OF DESIGN AND INVENTION ARE RESERVED THIS IS AN ELECTRONICALLY GENERATED DOCUMENT - DO NOT SCALE THIS PRINT

CERTIFICATION DATA SHEET

Model#: 182TTDW16049 AA **WINDING#:** T84173 DR 9
CONN. DIAGRAM: 005020.02ME **ASSEMBLY:** F1 ONLY
OUTLINE: 035658-900

TYPICAL MOTOR PERFORMANCE DATA

HP	KW	SYNC. RPM	F.L. RPM	FRAME	ENCLOSURE	KVA CODE	DESIGN
3&2	2.24&1.49	1800	1760&1475	182T	DP	K	B

PH	Hz	VOLTS	FL AMPS	START TYPE	DUTY	INSL	S.F	AMB°C	ELEVATION
3	60/50	230/460#190/ 380	8/4&7.2/3.5	ACROSS THE LINE	CONTINUOU S	F4	1.15/1.15	40	3300

FULL LOAD EFF: 89.5&88.5	3/4 LOAD EFF: 89.5	1/2 LOAD EFF: 88.2	GTD. EFF	ELEC. TYPE	NO LOAD AMPS
FULL LOAD PF: 79.3&75	3/4 LOAD PF: 73.2	1/2 LOAD PF: 61.1	88.5	SQ CAGE IND RUN	4 / 2

F.L. TORQUE	LOCKED ROTOR AMPS	L.R. TORQUE	B.D. TORQUE	F.L. RISE°C
8.9 LB-FT	68.4 / 34.2	22 LB-FT 247	35.8 LB-FT 402	31

SOUND PRESSURE @ 3 FT.	SOUND POWER	ROTOR WK^2	MAX. WK^2	SAFE STALL TIME	STARTS /HOUR	APPROX. MOTOR WGT
51 dBA	61 dBA	0.357 LB-FT^2	55 LB-FT^2	15 SEC.	2	0 LBS.

***** SUPPLEMENTAL INFORMATION *****

DE BRACKET TYPE	ODE BRACKET TYPE	MOUNT TYPE	ORIENTATION	SEVERE DUTY	HAZARDOUS LOCATION	DRIP COVER	SCREENS	PAINT
STANDARD	STANDARD	RIGID	HORIZONTAL	FALSE	NONE	FALSE	NONE	BLUE (ENAMEL)

BEARINGS		GREASE	SHAFT TYPE	SPECIAL DE	SPECIAL ODE	SHAFT MATERIAL	FRAME MATERIAL
DE	OPE						
BALL	BALL	POLYREX EM	T	NONE	NONE	AISI 1045 (C-240)	ROLLED STEEL
6206	6205						

THERMO-PROTECTORS				THERMISTORS	CONTROL	SPACE /n HEATERS
THERMOSTATS	PROTECTORS	WDG RTDs	BRG RTDs			
NONE	AUTOMATIC	NONE	NONE	NONE	FALSE	NONE VOLTS

If Inverter equals NONE, contact factory for further information

INVERTER TORQUE: NONE
INV. HP SPEED RANGE: NONE
ENCODER: NONE
NONE NONE
NONE NONE PPR
BRAKE: NONE NONE
NONE P/N NONE
NONE NONE
NONE FT-LB NONE V NONE Hz

*
N
O
T
E
S
*

DATE: 06/27/2017 01:44:30 AM
FORM 3531 REV.3 02/07/99

** Subject to change without notice.

Data Sheet

Date: 19-06-2017
 Customer: _____
 Attention: _____
 Submitted by: FAREEDA DUDEKULA



182TTDW16049

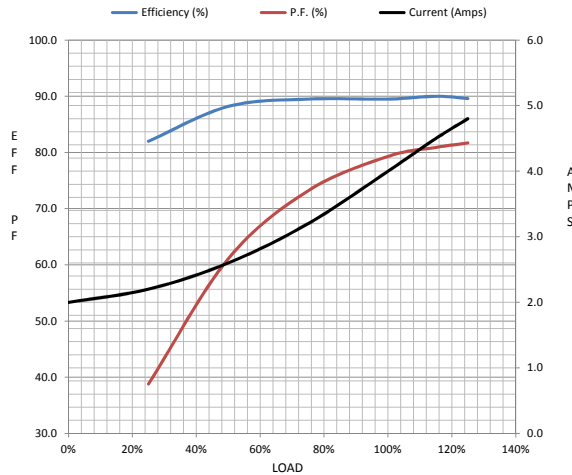
Submittal
 Data @ 460 V

Motor Load Data

Load	0%	25%	50%	75%	100%	115%	125%	LR
Current (Amps)	2.00	2.20	2.60	3.2	4.0	4.5	4.8	34.2
Torque (ft-lb)	0.00	2.19	4.4	6.6	8.9	10.3	11.2	22.0
RPM	1800	1790	1779	1767	1760	1,752	1745	0
Efficiency (%)		82.0	88.2	89.5	89.5	90.0	89.6	
P.F. (%)	6.9	38.8	61.1	73.2	79.3	80.9	81.7	50.5

Motor Speed Data

	LR	Pull-Up	BD	Rated	Idle
Speed (RPM)	0	330	1500	1760	1800
Current (Amps)	34.2	33.5	22.0	4.0	2.00
Torque (ft-lb)	22.0	14.8	35.8	8.9	0.00



Information Block				
HP	3.0			
Sync. RPM	1800			
Frame	182			
Enclosure	DP			
Construction	TDW			
Voltage	30/460#190/38V			
Frequency	60 Hz			
Design	B			
LR Code letter	K			
Service Factor	1.15			
Temp Rise @ FL	31 ° C			
Duty	CONT			
Ambient	40 ° C			
Elevation	1,000 feet			
Rotor/Shaft wk ²	0.36 Lb-Ft ²			
Ref Wdg	T84173 DR			
Sound Pressure @ 1M	51 dBA			
VFD Rating	NONE			
Outline Dwg	035658-900			
Conn. Diag	005020.02ME			
Additional Specifications:				
0				
365THFS8036				
EQUIV CKT (OHMS / PHASE)				
R1	R2	X1	X2	Xm
0.0000	0.0000	0.0000	0.0000	0.0000

Speed -Torque Curve

