

# PRODUCT INFORMATION PACKET

Model No: 182TTDW17008  
Catalog No: M316B  
5,3600,182JMV,DP,3/60/230/460  
JM



Regal and Marathon are trademarks of Regal Beloit Corporation or one of its affiliated companies.  
©2018 Regal Beloit Corporation, All Rights Reserved. MC017097E





### Nameplate Specifications

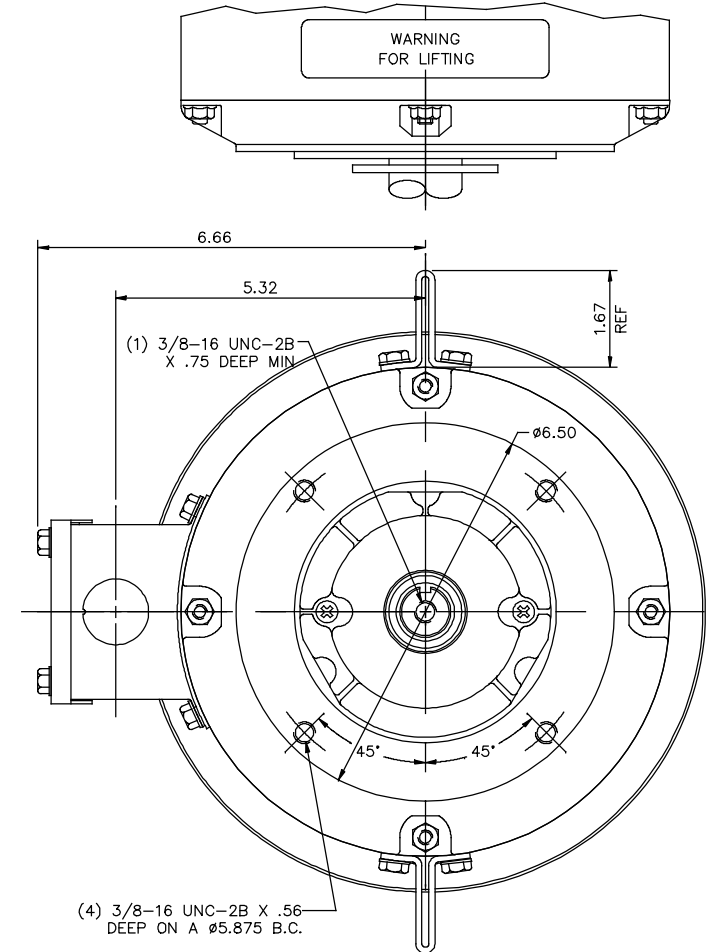
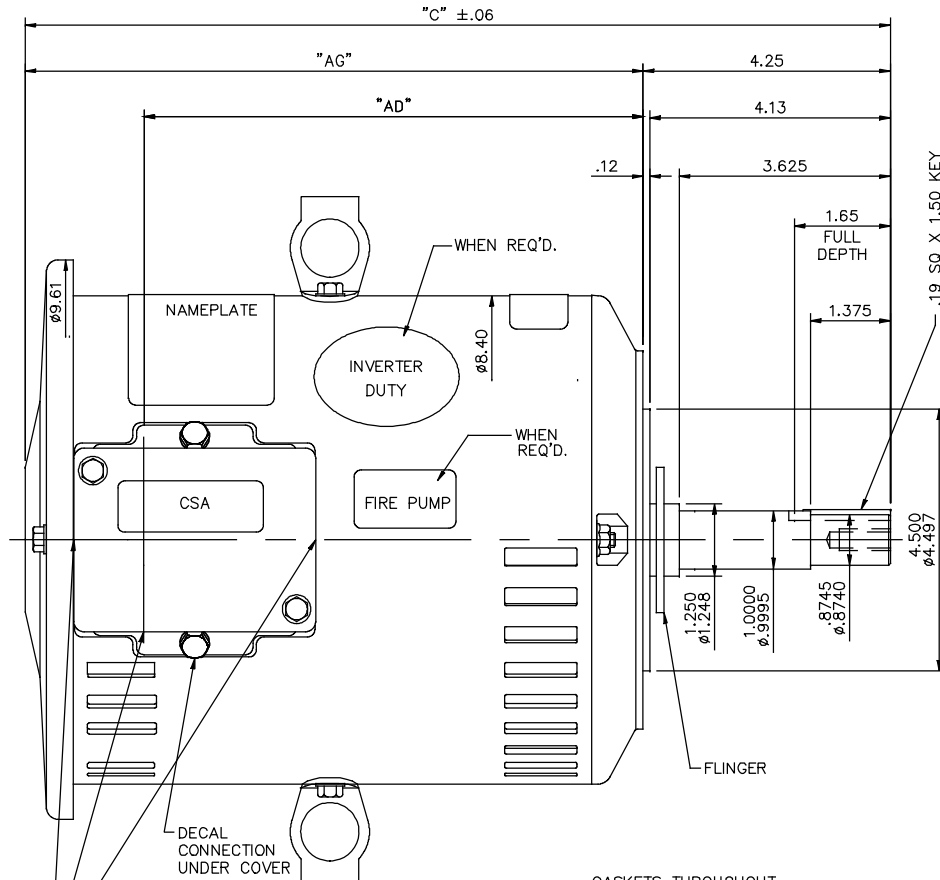
Output HP	<b>5 Hp</b>	Output KW	<b>3.7 kW</b>
Frequency	<b>60 Hz</b>	Voltage	<b>208-230/460 V</b>
Current	<b>13.6-12.4/6.2 A</b>	Speed	<b>3500 rpm</b>
Service Factor	<b>1.15</b>	Phase	<b>3</b>
Efficiency	<b>86.5 %</b>	Duty	<b>Continous</b>
Insulation Class	<b>F</b>	Design Code	<b>B</b>
KVA Code	<b>J</b>	Frame	<b>182JMV</b>
Enclosure	<b>Drip Proof</b>	Overload Protector	<b>No</b>
Ambient Temperature	<b>40 °C</b>	Drive End Bearing Size	<b>6207</b>
Opp Drive End Bearing Size	<b>6206</b>	UL	<b>Recognized</b>
CSA	<b>Y</b>	CE	<b>Y</b>
IP Code	<b>12</b>		

### Technical Specifications

Electrical Type	<b>Squirrel Cage Induction Run</b>	Starting Method	<b>Across The Line</b>
Poles	<b>2</b>	Rotation	<b>Reversible</b>
Mounting	<b>Round</b>	Motor Orientation	<b>Shaft Down</b>
Drive End Bearing	<b>Ball</b>	Opp Drive End Bearing	<b>Ball</b>
Frame Material	<b>Rolled Steel</b>	Shaft Type	<b>JM</b>
Overall Length	<b>14.95 in</b>	Frame Length	<b>9.00 in</b>
Shaft Diameter	<b>0.875 in</b>	Shaft Extension	<b>4.25 in</b>
Assembly/Box Mounting	<b>F1 Only</b>		
Outline Drawing	<b>035547-900</b>	Connection Diagram	<b>005010.01</b>

This is an uncontrolled document once printed or downloaded and is subject to change without notice. Date Created: 06/28/2018

035547



Ø1.13 KNOCKOUTS  
(3) REQUIRED

DASH NO.	"C"	"AG"	"AD"
850	14.45	10.20	8.13
900	14.95	10.70	8.63
950	15.45	11.20	9.13
1000	15.95	11.70	9.63
1050	16.45	12.20	10.13
1100	16.95	12.70	10.63
1150	17.45	13.20	11.13

MAXIMUM FACE RUNOUT TO BE .004 T.I.R.  
MAXIMUM PILOT ECCENTRICITY TO BE .004 T.I.R.

NO.	REVISION	BY & DATE	CHK	ANG	FINISH
05	UPDATED PER ECR-0141965	MVG 10/09/17	SR		
04	UPDATED REGAL LOGO	SS 05/17/16	SS	X	±.1
03	"C", "AG" & "AD" DIM. UPDATED ON DASH #TABLE	PVR 11/21/12	JD	XX	±.03
02	KEY WAS .19 SQ x 1.75	JD 7/15/2011	JD	XXX	±.005
01	ADD UL DECAL PER ISAAC 11-1098	LST 3/9/11	LST	XXXX	±.0005

TOLERANCES UNLESS SPECIFIED		DRAWN VV 18/08/07	
REGAL™	Regal Beloit America, Inc.	CHK	
TITLE OUTLINE- 180JM FRAME		APPD	YS 18/08/07
DRIP PROOF- "C" FACE- JM PUMP		SCALE	1=2
REF		REF	035486
MATERIAL		FMF	184TIDW4135
FINISH		PREV	
RFP	CAD FILE 035547	SIZE	DRAWING NO.
DIST		B	035547
			REV. 05

THIS DRAWING IN DESIGN AND DETAIL IS OUR PROPERTY AND MUST NOT BE USED EXCEPT IN CONNECTION WITH OUR WORK. ALL RIGHTS OF DESIGN AND INVENTION ARE RESERVED. THIS IS AN ELECTRONICALLY GENERATED DOCUMENT - DO NOT SCALE THIS PRINT

005010-01

VIEW FROM OUTSIDE OF MOTOR AT SWITCH END.



VOLTAGE	L1	L2	L3	JOIN & INSULATE
HIGH	T1	T2	T3	(T4,T7) (T5,T8) (T6,T9)
LOW	T1,T7	T2,T8	T3,T9	T4,T5,T6

				TOLERANCES UNLESS SPECIFIED		<b>Regal Beloit America, Inc.</b>		DRAWN RDW 04/12/02		
				DEC.	INCHES			CHK		
				.X	±.1			APPD		
				.XX	±.01			SCALE 1=1		
				.XXX	±.005	REF FIG.2-51				
A	UPDATED TO REGAL LOGO	SAJ 06/26/15	AJY	.XXXX	±.0005	MAT'L. DECAL - 004014		FMF		
NO.	REVISION	BY & DATE	CHK	ANG	±1/2"	FINISH		PREV		
THIS DRAWING IN DESIGN AND DETAIL IS OUR PROPERTY AND MUST NOT BE USED EXCEPT IN CONNECTION WITH OUR WORK ALL RIGHTS OF DESIGN AND INVENTION ARE RESERVED THIS IS AN ELECTRONICALLY GENERATED DOCUMENT - DO NOT SCALE THIS PRINT				RFP	04/12/02	CAD FILE 00501001		SIZE	DRAWING NO.	REV.
				DIST BRF-NLV				A	005010-01	A

CERTIFICATION DATA SHEET

Model#: 182TTDW17008 AA WINDING#: T82117 R1 3  
 CONN. DIAGRAM: 005010.01 ASSEMBLY: F1 ONLY  
 OUTLINE: 035547-900

TYPICAL MOTOR PERFORMANCE DATA

HP	KW	SYNC. RPM	F.L. RPM	FRAME	ENCLOSURE	KVA CODE	DESIGN
5&3	3.7&2.24	3600	3500&2925	182JMV	DP	J	B

PH	Hz	VOLTS	FL AMPS	START TYPE	DUTY	INSL	S.F	AMB°C	ELEVATION
3	60/50	208- 230/460#190/ 380	13.6- 12.4/6.2&9.8/4 .9	ACROSS THE LINE	CONTINUOU S	F4	1.15/1.15	40	3300

FULL LOAD EFF:	3/4 LOAD EFF:	1/2 LOAD EFF:	GTD. EFF	ELEC. TYPE	NO LOAD AMPS
86.5&85.5	86.5	84.6			
FULL LOAD PF: 86&82	3/4 LOAD PF: 82	1/2 LOAD PF: 73	83.8	SQ CAGE IND RUN	5 / 2.5

F.L. TORQUE	LOCKED ROTOR AMPS	L.R. TORQUE	B.D. TORQUE	F.L. RISE°C
7.5 LB-FT	91 / 45.5	16.1 LB-FT 215	25 LB-FT 333	30

SOUND PRESSURE @ 3 FT.	SOUND POWER	ROTOR WK^2	MAX. WK^2	SAFE STALL TIME	STARTS /HOUR	APPROX. MOTOR WGT
71 dBA	81 dBA	0.18 LB-FT^2	7 LB-FT^2	15 SEC.	2	64 LBS.

\*\*\* SUPPLEMENTAL INFORMATION \*\*\*

DE BRACKET TYPE	ODE BRACKET TYPE	MOUNT TYPE	ORIENTATION	SEVERE DUTY	HAZARDOUS LOCATION	DRIP COVER	SCREENS	PAINT
C-FACE	STANDARD	ROUND	SHAFT DOWN	FALSE	NONE	TRUE	NONE	BLUE (ENAMEL)

BEARINGS		GREASE	SHAFT TYPE	SPECIAL DE	SPECIAL ODE	SHAFT MATERIAL	FRAME MATERIAL
DE	OPE						
BALL	BALL	POLYREX EM	JM	NONE	NONE	EN8D STEEL BAR (C-242)	ROLLED STEEL
6207	6206						

THERMO-PROTECTORS				THERMISTORS	CONTROL	SPACE /n HEATERS
THERMOSTATS	PROTECTORS	WDG RTDs	BRG RTDs			
NONE	NOT	NONE	NONE	NONE	FALSE	NONE VOLTS

If Inverter equals NONE, contact factory for further information

INVERTER TORQUE: NONE
INV. HP SPEED RANGE: NONE
ENCODER: NONE
NONE NONE
NONE NONE PPR
BRAKE: NONE NONE
NONE P/N NONE
NONE NONE
NONE FT-LB NONE V NONE Hz

\*  
N  
O  
T  
E  
S  
\*

DATE: 06/27/2017 01:50:44 AM  
 FORM 3531 REV.3 02/07/99

\*\* Subject to change without notice.

Data Sheet

Date: 29-06-2017  
 Customer: \_\_\_\_\_  
 Attention: \_\_\_\_\_  
 Submitted by: FAREEDA DUDEKULA



182TTDW17008

Submittal  
 Data @ 460 V

Motor Load Data

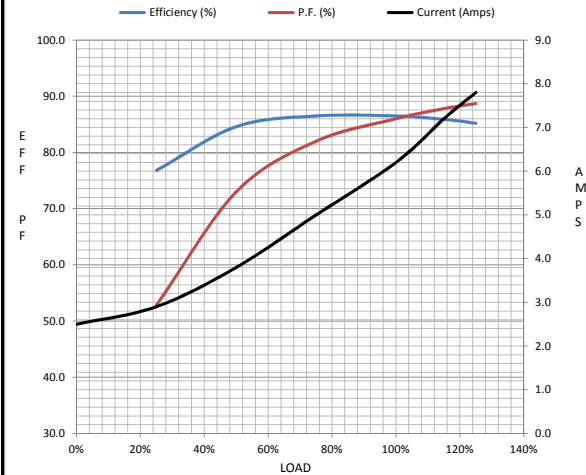
Load	0%	25%	50%	75%	100%	115%	125%	LR
Current (Amps)	2.50	2.90	3.8	5.0	6.2	7.2	7.8	45.5
Torque (ft-lb)	0.00	1.80	3.7	5.6	7.5	8.7	9.5	16.1
RPM	3600	3576	3552	3526	3500	3.478	3465	0
Efficiency (%)		76.8	84.6	86.5	86.5	85.9	85.2	
P.F. (%)	13.0	52.8	73.0	82.0	86.0	87.8	88.7	55.5

Motor Speed Data

	LR	Pull-Up	BD	Rated	Idle
Speed (RPM)	0	1800	2900	3500	3600
Current (Amps)	45.5	41.0	28.9	6.2	2.50
Torque (ft-lb)	16.1	14.5	25.0	7.5	0.00

Information Block

HP	5.0			
Sync. RPM	3600			
Frame	182			
Enclosure	DP			
Construction	TDW			
Voltage	3-230/460#190/3V			
Frequency	60 Hz			
Design	B			
LR Code letter	J			
Service Factor	1.15			
Temp Rise @ FL	30 ° C			
Duty	CONT			
Ambient	40 ° C			
Elevation	1,000 feet			
Rotor/Shaft wk <sup>2</sup>	0.18 Lb-Ft <sup>2</sup>			
Ref Wdg	T82117 R1			
Sound Pressure @ 1M	71 dBA			
VFD Rating	NONE			
Outline Dwg	035547-900			
Conn. Diag	005010.01			
Additional Specifications:				
0				
365THFS8036				
EQUIV CKT (OHMS / PHASE)				
R1	R2	X1	X2	Xm
1.3270	1.2190	3.0560	1.6670	97.8640



Speed -Torque Curve

