

PRODUCT INFORMATION PACKET



Model No: 182TTFBD6032
Catalog No: GT1410A
3,1800,TEFC,182TC,3/60/575
Totally Enclosed Fan Cooled (TEFC)

Regal and Marathon are trademarks of Regal Beloit Corporation or one of its affiliated companies.
©2018 Regal Beloit Corporation, All Rights Reserved. MC017097E





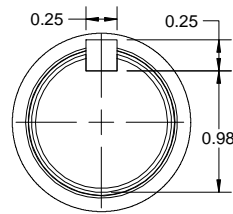
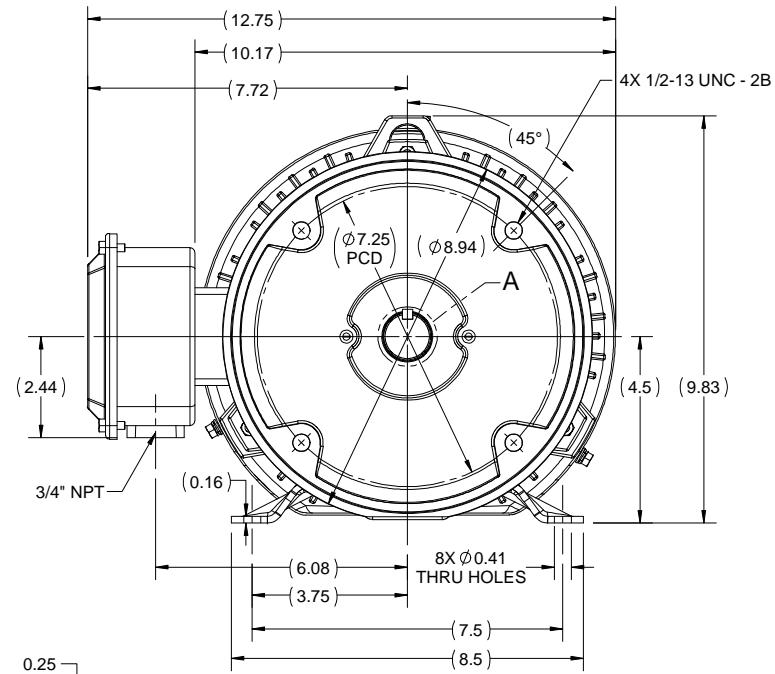
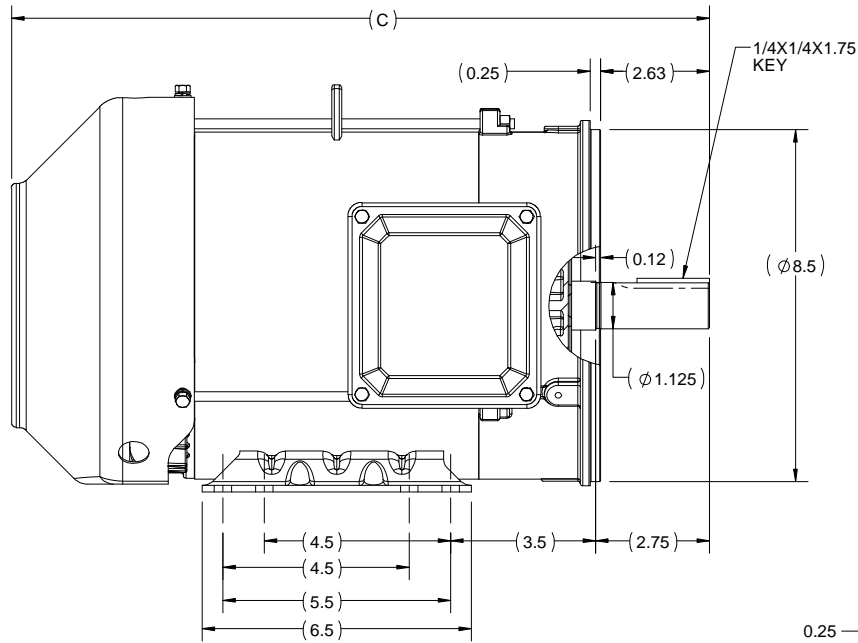
Nameplate Specifications

Output HP	3 Hp	Output KW	2.2 kW
Frequency	60 Hz	Voltage	575 V
Current	3.2 A	Speed	1762 rpm
Service Factor	1	Phase	3
Efficiency	89.5 %	Duty	Continuous
Insulation Class	F	Design Code	B
KVA Code	K	Frame	182TC
Enclosure	Totally Enclosed Fan Cooled	Overload Protector	No
Ambient Temperature	40 °C	Drive End Bearing Size	6206
Opp Drive End Bearing Size	6205	UL	Listed
CSA	Y	CE	Y
IP Code	43		

Technical Specifications

Electrical Type	Squirrel Cage Inverter Rated	Starting Method	Line Or Inverter
Poles	4	Rotation	Reversible
Mounting	Rigid base	Motor Orientation	Horizontal
Drive End Bearing	Ball	Opp Drive End Bearing	Ball
Frame Material	Rolled Steel	Shaft Type	T
Frame Length	5.85 in	Shaft Diameter	1.125 in
Shaft Extension	2.75 in	Assembly/Box Mounting	F1/F2 Capable
Outline Drawing	SS600200	Connection Diagram	EE7300


This is an uncontrolled document once printed or downloaded and is subject to change without notice. Date Created: 07/02/2018



DETAIL A

182TC	15.85
184TC	16.85
FRAME	C

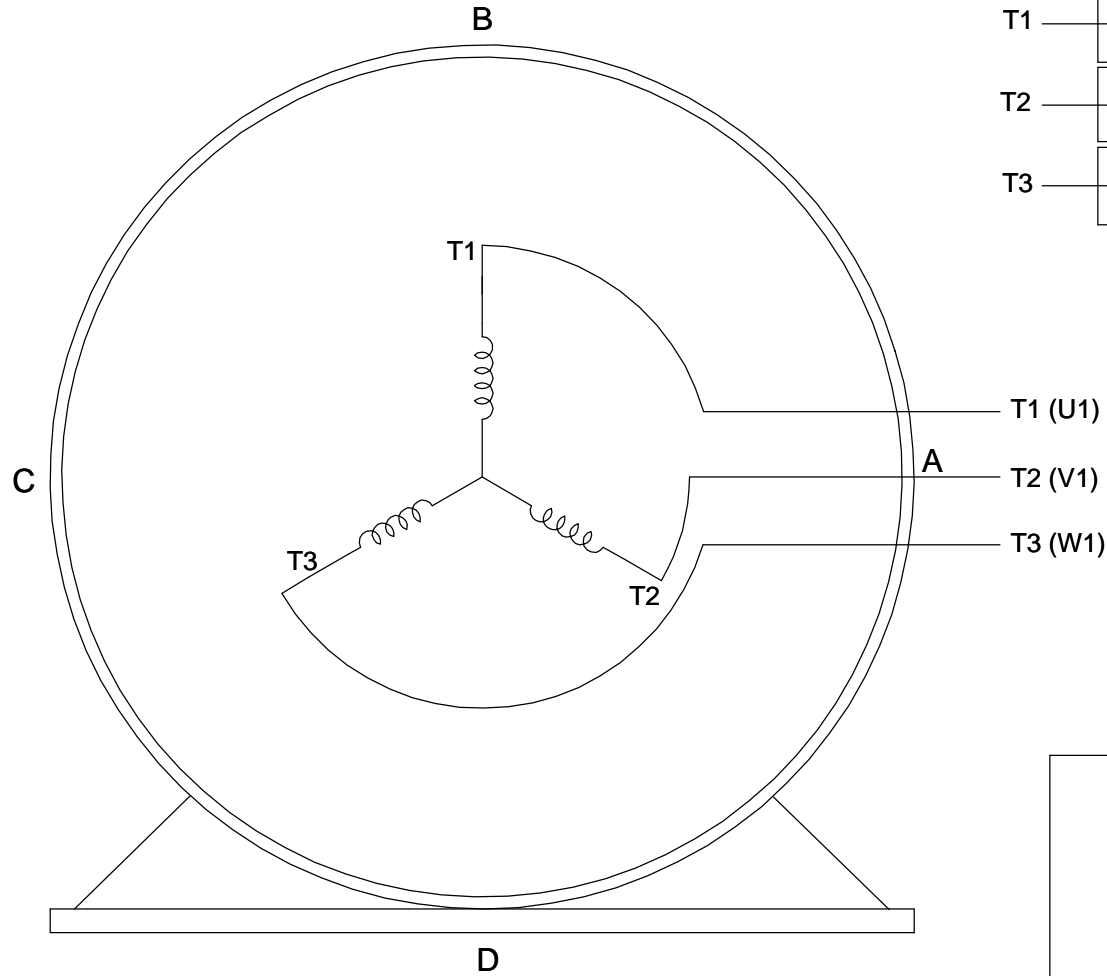
DRAWING REVISION B	REVISION BY VS	DATE 18/06/2018
ECO ECO-0147085	APPROVED BY SBD	DATE 18/06/2018
ECO DESCRIPTION DRAWING UPDATED		
<small>COPYRIGHT REGAL BELOIT AMERICA, INC. ALL RIGHTS RESERVED. PROPRIETARY AND CONFIDENTIAL INFORMATION - THIS DOCUMENT IS THE PROPERTY OF REGAL BELOIT AMERICA, INC. ("OWNER") AND CONTAINS OWNER'S PROPRIETARY INFORMATION. ANY PERSON, CORPORATION OR OTHER FIRM RECEIVING IT IS DEEMED, BY RECEIVING IT, TO AGREE THAT IT, AND/OR ANY PART OF IT, SHALL NOT BE DISCLOSED TO ANY PERSON, CORPORATION OR OTHER ENTITY, DUPLICATED, AND/OR USED, EXCEPT AS EXPRESSLY APPROVED IN WRITING IN ADVANCE BY OWNER. THIS DOCUMENT SHALL BE RETURNED TO OWNER UPON REQUEST. IT MAY BE SUBJECT TO CERTAIN RESTRICTIONS UNDER APPLICABLE EXPORT CONTROL LAWS AND REGULATIONS.</small>		

DRAWN BY PRIYA	 Regal Beloit America, Inc.
DATE 08/03/2018	
APPROVED BY SBD	DESCRIPTION OUTLINE 182/184TC FR TEFC RS
DATE 08/03/2018	MATERIAL
REFERENCE	PROCESS/FINISH
THIRD ANGLE PROJECTION	SIZE B
	DRAWING NUMBER SS600200
	SHEET 1 OF 1

**THREE PHASE - SINGLE VOLTAGE
MOTOR - CONDUIT BOX @ 'A'**

**TO REVERSE ROTATION:
INTERCHANGE ANY TWO
LINE LEAD CONNECTIONS.**

TERMINAL BLOCK WHEN SPECIFIED



VIEW OF TERMINAL END

**IF MOTOR HAS
6 LEADS**



A-9806 DECAL

**OPTIONAL CORD
CONNECTION**

- L1 WHITE
- L2 RED
- L3 BLACK

DRAWING REVISION AB	REVISION BY JJB	DATE 06-27-2017
ECO ECO-0125361	APPROVED BY TB	DATE 06-27-2017
ECO DESCRIPTION UPDATED TO CURRENT STANDARDS		
<small>COPYRIGHT REGAL BELOIT AMERICA, INC. ALL RIGHTS RESERVED. PROPRIETARY AND CONFIDENTIAL INFORMATION - THIS DOCUMENT IS THE PROPERTY OF REGAL BELOIT AMERICA, INC. ("OWNER") AND CONTAINS OWNER'S PROPRIETARY INFORMATION. ANY PERSON, CORPORATION OR OTHER FIRM RECEIVING IT IS DEEMED, BY RECEIVING IT, TO AGREE THAT IT, AND/OR ANY PART OF IT, SHALL NOT BE DISCLOSED TO ANY PERSON, CORPORATION OR OTHER ENTITY, DUPLICATED, AND/OR USED, EXCEPT AS EXPRESSLY APPROVED IN WRITING IN ADVANCE BY OWNER. THIS DOCUMENT SHALL BE RETURNED TO OWNER UPON REQUEST. IT MAY BE SUBJECT TO CERTAIN RESTRICTIONS UNDER APPLICABLE EXPORT CONTROL LAWS AND REGULATIONS.</small>		



DRAWN BY DA
DATE 03-26-1993
APPROVED BY TB
DATE 03-26-1993
REFERENCE
THIRD ANGLE PROJECTION

Regal Beloit America, Inc.		
		DESCRIPTION CONNECTION DIAGRAM EXTERNAL - SINGLE VOLTAGE - 3Ø MOTOR
MATERIAL	PROCESS/FINISH	
SIZE A	DRAWING NUMBER EE7300	SHEET 1 OF 1



**P.O. BOX 8003
WAUSAU, WI 54401-8003
PH. 715-675-3311**

CERTIFICATION DATA SHEET

CUSTOMER: CUSTOMER PO #:
ORDER #: MODEL #: 182TTFBD6032 AA
CONN. DIAGRAM: EE7300 CUSTOMER PART #:
OUTLINE: SS600200 MOUNTING: F1/F2 CAPABLE
WINDING #: HE31124021 2

TYPICAL MOTOR PERFORMANCE DATA

HP	KW	SYNC. RPM	F.L. RPM	FRAME	ENCLOSURE	KVA CODE	DESIGN	
3	2.24	1800	1762	182TC	TEFC	K	B	
PH	HZ	VOLTS	AMPS	START TYPE	DUTY	INSL	S.F.	AMB°C
3	60	575	3.2	LINE OR INVERTER	CONTINUOUS	F7	1.0	40

FULL LOAD EFF:	89.5	3/4 LOAD EFF:	88.5	1/2 LOAD EFF:	86.5	GTD. EFF		ELEC. TYPE
FULL LOAD PF:	78	3/4 LOAD PF:	70	1/2 LOAD PF:	57	88.5		SQ CAGE INV RATED
F.L. TORQUE	LOCKED ROTOR AMPS	L.R. TORQUE	B.D. TORQUE	F.L. RISE°C				
9 LB-FT	25.6	20 LB-FT	220 %	29 LB-FT	320 %			

SOUND PRESSURE @ 3 FT.	SOUND POWER	ROTOR WK^2	MAX. WK^2	SAFE STALL TIME	STARTS / HOUR	APPROX. MOTOR WGT
50 DBA	60 DBA	- LB-FT^2	- LB-FT^2	15 SEC.	2	- LBS.

***** SUPPLEMENTAL INFORMATION *****

DE BRACKET TYPE	ODE BRACKET TYPE	MOUNT TYPE	ORIENTATION	SEVERE DUTY	HAZARDOUS LOCATION	DRIP COVER	SCREENS	PAINT
C-FACE	STANDARD	RIGID	HORIZONTAL	FALSE	DIVISION 2 T2B	FALSE	NONE	BLUE (ENAMEL)
BEARINGS DE ODE	GREASE	SHAFT TYPE	SPECIAL DE	SPECIAL ODE	SHAFT MATERIAL	FRAME MATERIAL		
BALL BALL 6206	POLYREX EM	T	NONE	NONE	1045 HOT ROLLED (C-204)	ROLLED STEEL		

THERMO-PROTECTORS				THERMISTORS			SPACE HEATERS	
THERMOSTATS	PROTECTORS	WDG RTDS	BRG RTDS	NONE	FALSE	NONE	NONE	VOLTS
NONE	NOT	NONE	NONE	NONE	FALSE	NONE	NONE	

* INVERTER	TORQUE: CONSTANT 10:1/VARIABLE 10:1	
N INV. HP SPEED RANGE:	NONE	
O ENCODER:	NONE	
T NONE	NONE	PPR
E NONE	NONE	PPR
S BRAKE:	NONE	NONE
* NONE	NONE	P/N NONE
	NONE	NONE
	NONE	FT-LB NONE V NONE HZ

PREPARED BY: Anusha Muthyala
DATE: 05/28/2018 05:02:54 AM
FORM 3531 REV.3 02/07/99
 ** Subject to change without notice.

MARATHON ELECTRIC CORPORATION

TYPICAL PERFORMANCE CURVE for AC MOTOR

Customer

Curve at

575

Volts

HP 3.00

PHASE 3

Model No 182TTFBD6032

60

HZ

VOLTS 575

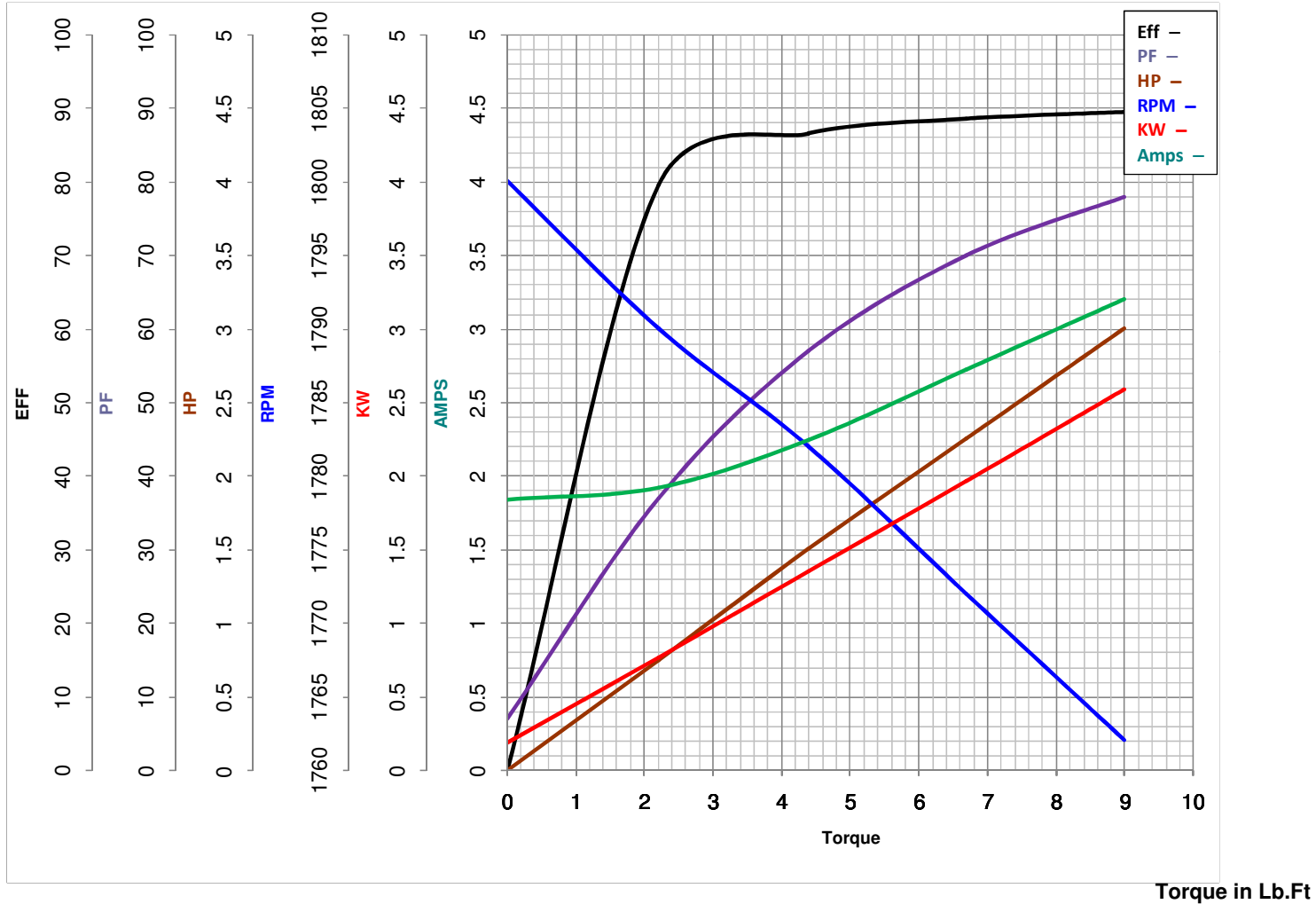
3

HP

Catalog No GT1410A

HZ 60

RPM 1762



Torque in Lb.Ft

FL TORQUE 9 Lb.Ft
 BD TORQUE 29.0 Lb.Ft
 LR TORQUE 20 Lb.Ft

FL AMPS 3.2
 PU TORQUE 17.0 Lb.Ft
 LR AMPS 25.6

WINDING HE31124021-2

Date 5/28/2018