

# PRODUCT INFORMATION PACKET

Model No: 182TTFCD6005  
Catalog No: GT1109A  
3,3600,TEFC,182T,3/60/575  
Totally Enclosed Fan Cooled (TEFC)



Regal and Marathon are trademarks of Regal Beloit Corporation or one of its affiliated companies.  
©2018 Regal Beloit Corporation, All Rights Reserved. MC017097E



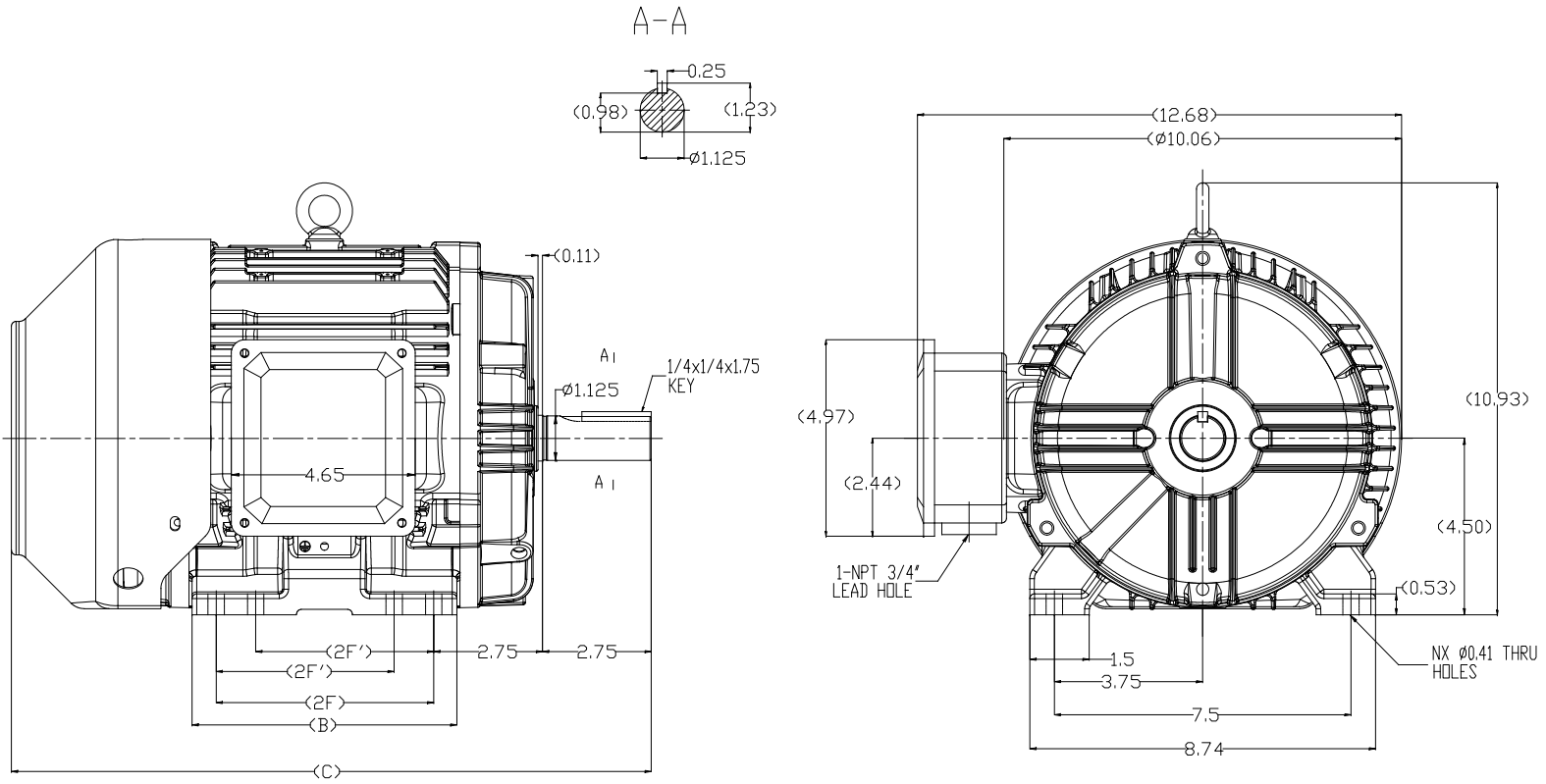
### Nameplate Specifications

Output HP	<b>3 Hp</b>	Output KW	<b>2.2 kW</b>
Frequency	<b>60 Hz</b>	Voltage	<b>575 V</b>
Current	<b>3.2 A</b>	Speed	<b>3522 rpm</b>
Service Factor	<b>1.15</b>	Phase	<b>3</b>
Efficiency	<b>86.5 %</b>	Duty	<b>Continuous</b>
Insulation Class	<b>F</b>	Design Code	<b>B</b>
KVA Code	<b>J</b>	Frame	<b>182T</b>
Enclosure	<b>Totally Enclosed Fan Cooled</b>	Overload Protector	<b>No</b>
Ambient Temperature	<b>40 °C</b>	Drive End Bearing Size	<b>6206</b>
Opp Drive End Bearing Size	<b>6205</b>	UL	<b>Listed</b>
CSA	<b>Y</b>	CE	<b>Y</b>
IP Code	<b>55</b>		

### Technical Specifications

Electrical Type	<b>Squirrel Cage Inverter Rated</b>	Starting Method	<b>Line Or Inverter</b>
Poles	<b>2</b>	Rotation	<b>Reversible</b>
Mounting	<b>Rigid base</b>	Motor Orientation	<b>Horizontal</b>
Drive End Bearing	<b>Ball</b>	Opp Drive End Bearing	<b>Ball</b>
Frame Material	<b>Cast Iron</b>	Shaft Type	<b>T</b>
Frame Length	<b>5.82 in</b>	Shaft Diameter	<b>1.125 in</b>
Shaft Extension	<b>2.75 in</b>	Assembly/Box Mounting	<b>F1/F2 Capable</b>
Outline Drawing	<b>SS620855-182</b>	Connection Diagram	<b>EE7300</b>

This is an uncontrolled document once printed or downloaded and is subject to change without notice. Date Created: 07/02/2018



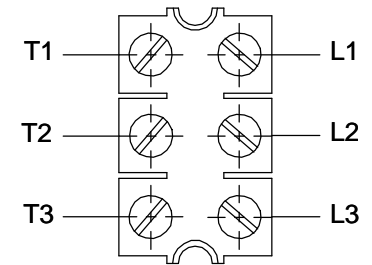
182T	15.08	5.67	4.50	/	4
184T	16.08	6.69	5.50	4.50	8
FRAME	C	B	2F	2F'	N

				TOLERANCES UNLESS SPECIFIED		REGAL-BELOIT CORPORATION		DRAWN WZ 8-11-2017	
				DEC.	INCHES			CHK WY 8-11-2017	
				.X	±.1	TITLE OUTLINE 182/184T FR TEFC-CAST IRDN		APPD ZYH 8-11-2017	
				.XX	±.03			SCALE 1=1	
				.XXX	±.005			REF	
A	RELEASED FOR PRODUCTION	ECC-0141896	BW 3/22/2018	CD	.XXXX	±.0005	MAT'L.	FMF WUXI	
NO.	REVISION		BY & DATE	CHK	ANG	±1/2"	FINISH	PREV	
THIS DRAWING IN DESIGN AND DETAIL IS OUR PROPERTY AND MUST NOT BE USED EXCEPT IN CONNECTION WITH OUR WORK ALL RIGHTS OF DESIGN AND INVENTION ARE RESERVED THIS IS AN ELECTRONICALLY GENERATED DOCUMENT - DO NOT SCALE THIS PRINT				RFP	CAD FILE		SS620855	SIZE	DRAWING NO.
				DIST			B	SS620855	REV. A

**THREE PHASE - SINGLE VOLTAGE  
MOTOR - CONDUIT BOX @ 'A'**

**TO REVERSE ROTATION:  
INTERCHANGE ANY TWO  
LINE LEAD CONNECTIONS.**

**TERMINAL BLOCK WHEN SPECIFIED**



**VIEW OF TERMINAL END**

**IF MOTOR HAS  
6 LEADS**



A-9806 DECAL

**OPTIONAL CORD  
CONNECTION**



DRAWING REVISION <b>AB</b>	REVISION BY <b>JJB</b>	DATE <b>06-27-2017</b>
ECO <b>ECO-0125361</b>	APPROVED BY <b>TB</b>	DATE <b>06-27-2017</b>

**ECO DESCRIPTION**  
**UPDATED TO CURRENT STANDARDS**  
COPYRIGHT REGAL BELOIT AMERICA, INC. ALL RIGHTS RESERVED.  
PROPRIETARY AND CONFIDENTIAL INFORMATION - THIS DOCUMENT IS THE PROPERTY OF  
REGAL BELOIT AMERICA, INC. ("OWNER") AND CONTAINS OWNER'S PROPRIETARY  
INFORMATION. ANY PERSON, CORPORATION OR OTHER FIRM RECEIVING IT IS DEEMED,  
BY RECEIVING IT, TO AGREE THAT IT, AND/OR ANY PART OF IT, SHALL NOT BE DISCLOSED  
TO ANY PERSON, CORPORATION OR OTHER ENTITY, DUPLICATED, AND/OR USED, EXCEPT  
AS EXPRESSLY APPROVED IN WRITING IN ADVANCE BY OWNER. THIS DOCUMENT SHALL  
BE RETURNED TO OWNER UPON REQUEST. IT MAY BE SUBJECT TO CERTAIN  
RESTRICTIONS UNDER APPLICABLE EXPORT CONTROL LAWS AND REGULATIONS.

DRAWN BY <b>DA</b>	
DATE <b>03-26-1993</b>	
APPROVED BY <b>TB</b>	
DATE <b>03-26-1993</b>	
REFERENCE	
THIRD ANGLE PROJECTION	

<b>Regal Beloit America, Inc.</b>	
DESCRIPTION <b>CONNECTION DIAGRAM</b> EXTERNAL - SINGLE VOLTAGE - 3Ø MOTOR	
MATERIAL	PROCESS/FINISH
SIZE <b>A</b>	DRAWING NUMBER <b>EE7300</b>
SHEET <b>1 OF 1</b>	



**P.O. BOX 8003  
WAUSAU, WI 54401-8003  
PH. 715-675-3311**

**CERTIFICATION DATA SHEET**

**CUSTOMER:** CUSTOMER PO #:  
**ORDER #:** MODEL #: 182TTFCD6005 AA  
**CONN. DIAGRAM:** EE7300 CUSTOMER PART #:  
**OUTLINE:** SS620855-182 MOUNTING: F1/F2 CAPABLE  
**WINDING #:** HE31122014 2

**TYPICAL MOTOR PERFORMANCE DATA**

HP	KW	SYNC. RPM	F.L. RPM	FRAME	ENCLOSURE	KVA CODE	DESIGN	
3	2.24	3600	3522	182T	TEFC	J	B	
PH	HZ	VOLTS	AMPS	START TYPE	DUTY	INSL	S.F.	AMB°C
3	60	575	3.2	LINE OR INVERTER	CONTINUOUS	F7	1.15	40

<b>FULL LOAD EFF:</b>	86.5	<b>3/4 LOAD EFF:</b>	85.5	<b>1/2 LOAD EFF:</b>	82.5	<b>GTD. EFF</b>		<b>ELEC. TYPE</b>
<b>FULL LOAD PF:</b>	82	<b>3/4 LOAD PF:</b>	74.5	<b>1/2 LOAD PF:</b>	61.6	85.5		SQ CAGE INV RATED
<b>F.L. TORQUE</b>	<b>LOCKED ROTOR AMPS</b>	<b>L.R. TORQUE</b>	<b>B.D. TORQUE</b>	<b>F.L. RISE°C</b>				
4.475 LB-FT	25.6	9 LB-FT	200 %	16 LB-FT	356 %			55

<b>SOUND PRESSURE @ 3 FT.</b>	<b>SOUND POWER</b>	<b>ROTOR WK^2</b>	<b>MAX. WK^2</b>	<b>SAFE STALL TIME</b>	<b>STARTS / HOUR</b>	<b>APPROX. MOTOR WGT</b>
50 DBA	60 DBA	0.18 LB-FT^2	- LB-FT^2	15 SEC.	2	- LBS.

**\*\*\* SUPPLEMENTAL INFORMATION \*\*\***

DE BRACKET TYPE	ODE BRACKET TYPE	MOUNT TYPE	ORIENTATION	SEVERE DUTY	HAZARDOUS LOCATION	DRIP COVER	SCREENS	PAINT
STANDARD	STANDARD	RIGID	HORIZONTAL	FALSE	DIVISION 2 T2B	FALSE	NONE	BLUE (ENAMEL)
BEARINGS		GREASE	SHAFT TYPE	SPECIAL DE	SPECIAL ODE	SHAFT MATERIAL	FRAME MATERIAL	
BALL	BALL	POLYREX EM	T	NONE	NONE	1045 HOT ROLLED (C-204)	CAST IRON	
6206	6205							

THERMO-PROTECTORS				THERMISTORS			SPACE HEATERS	
THERMOSTATS	PROTECTORS	WDG RTDS	BRG RTDS	NONE	FALSE	NONE	NONE	VOLTS
NONE	NOT	NONE	NONE					

**INVERTER**  
**TORQUE:** CONSTANT 20:1/VARIABLE 20:1  
**INV. HP SPEED RANGE:** NONE

**ENCODER:** NONE  
 NONE NONE  
 NONE NONE PPR  
**BRAKE:** NONE NONE  
 NONE P/N NONE  
 NONE NONE  
 NONE FT-LB NONE V NONE HZ

**PREPARED BY:** Fareeda Dudekula  
**DATE:** 05/04/2018 09:45:07 AM  
**FORM 3531 REV.3 02/07/99**  
 \*\* Subject to change without notice.

**MARATHON ELECTRIC CORPORATION**

TYPICAL PERFORMANCE CURVE for AC MOTOR

Customer

Curve at

575

Volts

HP 3.00

PHASE 3

Model No 182TTFCD6005

60

HZ

VOLTS 575

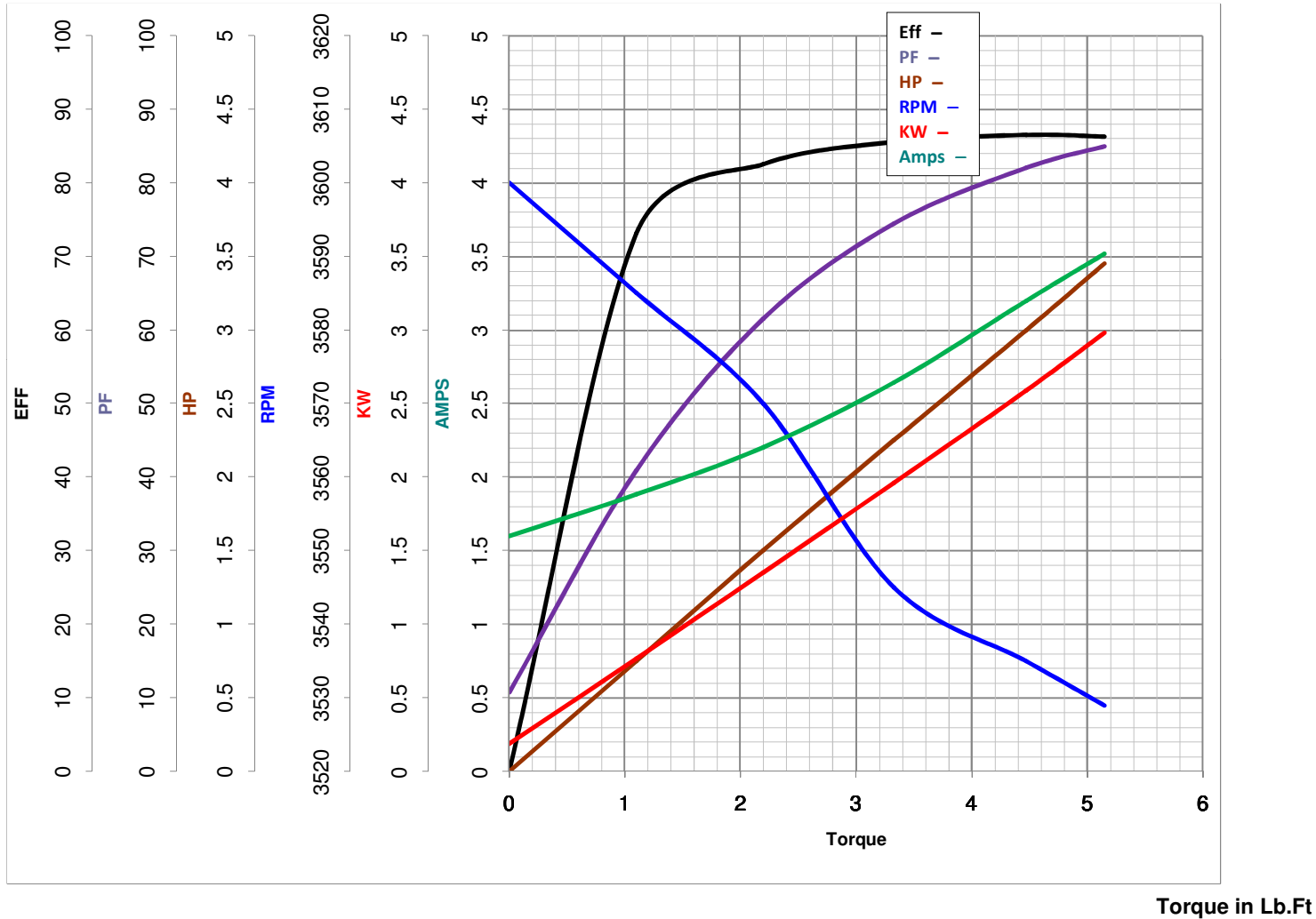
3

HP

Catalog No GT1109A

HZ 60

RPM 3522



FL TORQUE 4.475 Lb.Ft  
 BD TORQUE 16.0 Lb.Ft  
 LR TORQUE 9 Lb.Ft

FL AMPS 3.2  
 PU TORQUE 8.0 Lb.Ft  
 LR AMPS 25.6

WINDING HE31122014-2 Prepared By FAREEDA

Date 5/4/2018