

PRODUCT INFORMATION PACKET

Model No: 182TTFCD6030
Catalog No: GT1110A
3,1800,TEFC,182T,3/60/575
Totally Enclosed Fan Cooled (TEFC)



Regal and Marathon are trademarks of Regal Beloit Corporation or one of its affiliated companies.
©2018 Regal Beloit Corporation, All Rights Reserved. MC017097E



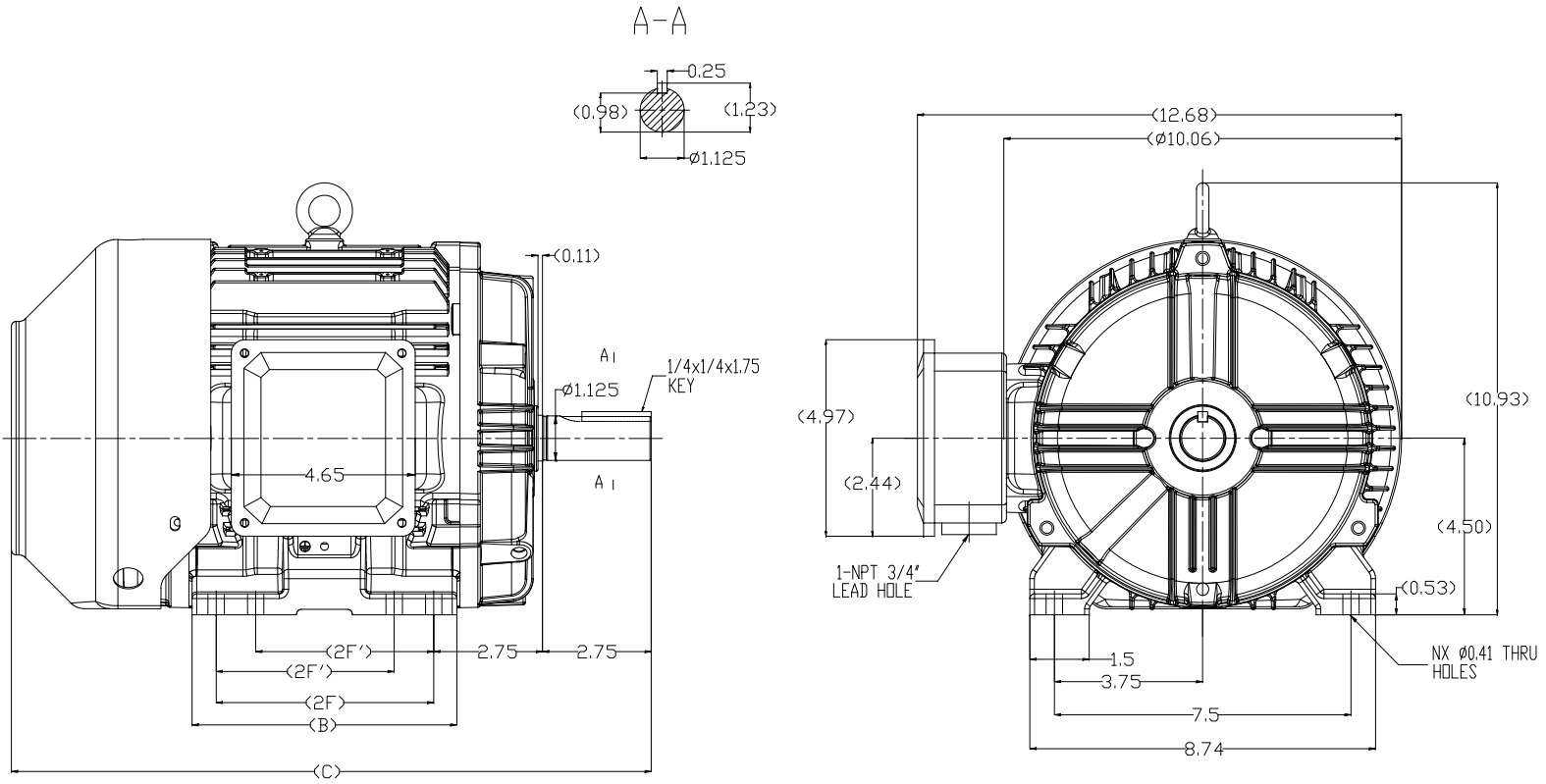
Nameplate Specifications

Output HP	3 Hp	Output KW	2.2 kW
Frequency	60 Hz	Voltage	575 V
Current	3.2 A	Speed	1762 rpm
Service Factor	1.15	Phase	3
Efficiency	89.5 %	Duty	Continuous
Insulation Class	F	Design Code	B
KVA Code	K	Frame	182T
Enclosure	Totally Enclosed Fan Cooled	Overload Protector	No
Ambient Temperature	40 °C	Drive End Bearing Size	6206
Opp Drive End Bearing Size	6205	UL	Listed
CSA	Y	CE	Y
IP Code	55		


Technical Specifications

Electrical Type	Squirrel Cage Inverter Rated	Starting Method	Line Or Inverter
Poles	4	Rotation	Reversible
Mounting	Rigid base	Motor Orientation	Horizontal
Drive End Bearing	Ball	Opp Drive End Bearing	Ball
Frame Material	Cast Iron	Shaft Type	T
Frame Length	5.82 in	Shaft Diameter	1.125 in
Shaft Extension	2.75 in	Assembly/Box Mounting	F1/F2 Capable
Outline Drawing	SS620855-182	Connection Diagram	EE7300

This is an uncontrolled document once printed or downloaded and is subject to change without notice. Date Created: 07/02/2018



182T	15.08	5.67	4.50	/	4
184T	16.08	6.69	5.50	4.50	8
FRAME	C	B	2F	2F'	N

				TOLERANCES UNLESS SPECIFIED		 REGAL-BELOIT CORPORATION		DRAWN WZ 8-11-2017	
				DEC.	INCHES			CHK WY 8-11-2017	
				.X	±.1			APPD ZYH 8-11-2017	
				.XX	±.03	TITLE		SCALE 1=1	
				.XXX	±.005	182/184T FR TEFC-CAST IRDN		REF	
A	RELEASED FOR PRODUCTION	ECC-0141896	BW 3/22/2018	CD	.XXXX	±.0005	MAT'L.	FMF WUXI	
NO.	REVISION		BY & DATE	CHK	ANG	±1/2"	FINISH	PREV	
THIS DRAWING IN DESIGN AND DETAIL IS OUR PROPERTY AND MUST NOT BE USED EXCEPT IN CONNECTION WITH OUR WORK ALL RIGHTS OF DESIGN AND INVENTION ARE RESERVED THIS IS AN ELECTRONICALLY GENERATED DOCUMENT - DO NOT SCALE THIS PRINT				RFP	CAD FILE		SS620855	SIZE	DRAWING NO.
				DIST			B	SS620855	REV. A

**THREE PHASE - SINGLE VOLTAGE
MOTOR - CONDUIT BOX @ 'A'**

**TO REVERSE ROTATION:
INTERCHANGE ANY TWO
LINE LEAD CONNECTIONS.**

TERMINAL BLOCK WHEN SPECIFIED



VIEW OF TERMINAL END

**IF MOTOR HAS
6 LEADS**



A-9806 DECAL

**OPTIONAL CORD
CONNECTION**

- L1 _____ WHITE
- L2 _____ RED
- L3 _____ BLACK

DRAWING REVISION AB	REVISION BY JJB	DATE 06-27-2017
ECO ECO-0125361	APPROVED BY TB	DATE 06-27-2017
ECO DESCRIPTION UPDATED TO CURRENT STANDARDS		
<small>COPYRIGHT REGAL BELOIT AMERICA, INC. ALL RIGHTS RESERVED. PROPRIETARY AND CONFIDENTIAL INFORMATION - THIS DOCUMENT IS THE PROPERTY OF REGAL BELOIT AMERICA, INC. ("OWNER") AND CONTAINS OWNER'S PROPRIETARY INFORMATION. ANY PERSON, CORPORATION OR OTHER FIRM RECEIVING IT IS DEEMED, BY RECEIVING IT, TO AGREE THAT IT, AND/OR ANY PART OF IT, SHALL NOT BE DISCLOSED TO ANY PERSON, CORPORATION OR OTHER ENTITY, DUPLICATED, AND/OR USED, EXCEPT AS EXPRESSLY APPROVED IN WRITING IN ADVANCE BY OWNER. THIS DOCUMENT SHALL BE RETURNED TO OWNER UPON REQUEST. IT MAY BE SUBJECT TO CERTAIN RESTRICTIONS UNDER APPLICABLE EXPORT CONTROL LAWS AND REGULATIONS.</small>		



DRAWN BY DA
DATE 03-26-1993
APPROVED BY TB
DATE 03-26-1993
REFERENCE
THIRD ANGLE PROJECTION

Regal Beloit America, Inc.	
MATERIAL	PROCESS/FINISH
SIZE A	DRAWING NUMBER EE7300
SHEET 1 OF 1	



**P.O. BOX 8003
WAUSAU, WI 54401-8003
PH. 715-675-3311**

CERTIFICATION DATA SHEET

CUSTOMER: CUSTOMER PO #:
ORDER #: MODEL #: 182TTFCD6030 AA
CONN. DIAGRAM: EE7300 CUSTOMER PART #:
OUTLINE: SS620855-182 MOUNTING: F1/F2 CAPABLE
WINDING #: HE31124021 2

TYPICAL MOTOR PERFORMANCE DATA

HP	KW	SYNC. RPM	F.L. RPM	FRAME	ENCLOSURE	KVA CODE	DESIGN	
3	2.24	1800	1762	182T	TEFC	K	B	
PH	HZ	VOLTS	AMPS	START TYPE	DUTY	INSL	S.F.	AMB°C
3	60	575	3.2	LINE OR INVERTER	CONTINUOUS	F7	1.15	40

FULL LOAD EFF:	89.5	3/4 LOAD EFF:	88.5	1/2 LOAD EFF:	86.5	GTD. EFF	88.5	ELEC. TYPE
FULL LOAD PF:	78	3/4 LOAD PF:	70	1/2 LOAD PF:	57	SQ CAGE INV RATED		
F.L. TORQUE	LOCKED ROTOR AMPS	L.R. TORQUE	B.D. TORQUE	F.L. RISE°C				
9 LB-FT	25.6	20 LB-FT	220 %	29 LB-FT	320 %	60		

SOUND PRESSURE @ 3 FT.	SOUND POWER	ROTOR WK^2	MAX. WK^2	SAFE STALL TIME	STARTS / HOUR	APPROX. MOTOR WGT
50 DBA	60 DBA	- LB-FT^2	- LB-FT^2	15 SEC.	2	- LBS.

***** SUPPLEMENTAL INFORMATION *****

DE BRACKET TYPE	ODE BRACKET TYPE	MOUNT TYPE	ORIENTATION	SEVERE DUTY	HAZARDOUS LOCATION	DRIP COVER	SCREENS	PAINT
STANDARD	STANDARD	RIGID	HORIZONTAL	FALSE	DIVISION 2 T2B	FALSE	NONE	BLUE (ENAMEL)
BEARINGS		GREASE	SHAFT TYPE	SPECIAL DE	SPECIAL ODE	SHAFT MATERIAL	FRAME MATERIAL	
BALL	BALL	POLYREX EM	T	NONE	NONE	1045 HOT ROLLED (C-204)	CAST IRON	
6206	6205							

THERMO-PROTECTORS				THERMISTORS			SPACE HEATERS	
THERMOSTATS	PROTECTORS	WDG RTDS	BRG RTDS	NONE	FALSE	NONE	NONE	VOLTS
NONE	NOT	NONE	NONE					

INVERTER	TORQUE: CONSTANT 20:1/VARIABLE 20:1
INV. HP SPEED RANGE: NONE	
ENCODER: NONE	
NONE	NONE
NONE	PPR
BRAKE: NONE	NONE
NONE	P/N NONE
NONE	NONE
NONE	FT-LB NONE V NONE HZ

PREPARED BY: Fareeda Dudekula
DATE: 05/09/2018 08:37:35 AM
FORM 3531 REV.3 02/07/99
 ** Subject to change without notice.

MARATHON ELECTRIC CORPORATION

TYPICAL PERFORMANCE CURVE for AC MOTOR

Customer

Curve at

575

Volts

HP 3.00

PHASE 3

Model No 182TTFCD6030

60

HZ

VOLTS 575

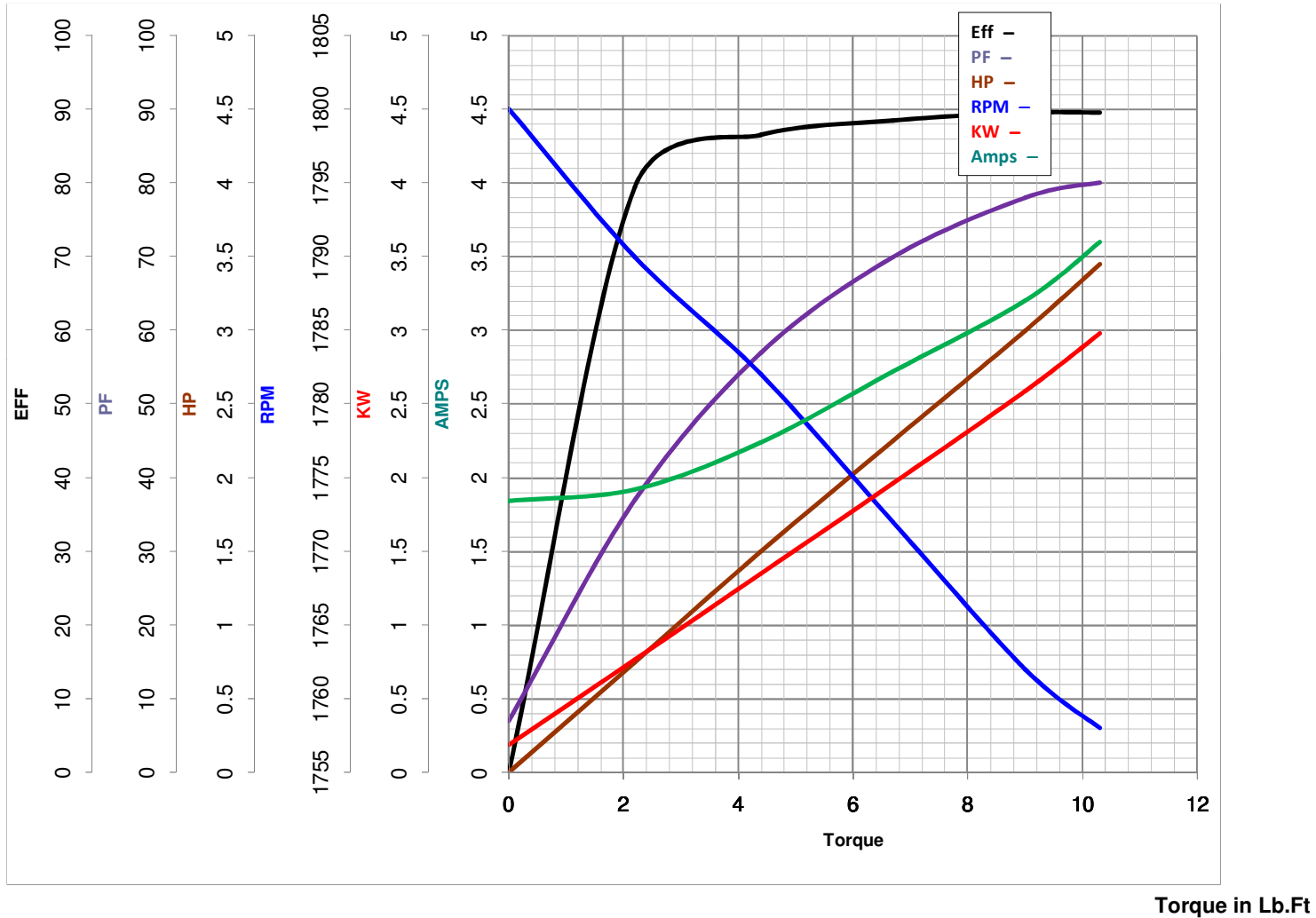
3

HP

Catalog No GT1110A

HZ 60

RPM 1762



FL TORQUE 9 Lb.Ft
 BD TORQUE 29.0 Lb.Ft
 LR TORQUE 20 Lb.Ft

FL AMPS 3.2
 PU TORQUE 17.0 Lb.Ft
 LR AMPS 25.6

WINDING HE31124021-2 Prepared By FAREEDA

Date 5/9/2018