

PRODUCT INFORMATION PACKET

Model No: 182TTGN16003
Catalog No: C303B
3,3600,182TC,EPFC,3/60/230/460
Explosion Proof



Regal and Marathon are trademarks of Regal Beloit Corporation or one of its affiliated companies.
©2018 Regal Beloit Corporation, All Rights Reserved. MC017097E



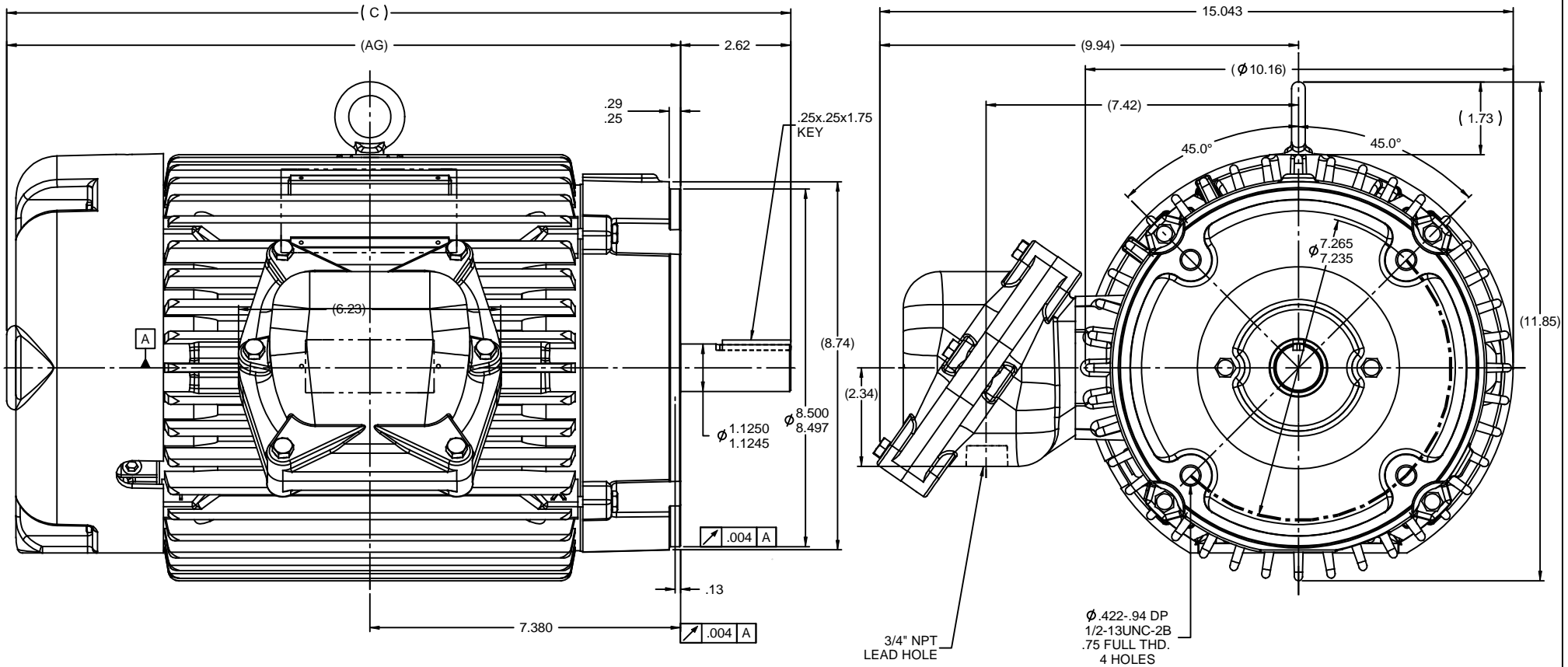
Nameplate Specifications

Output HP	3 Hp	Output KW	2.2 kW
Frequency	60 Hz	Voltage	230/460 V
Current	7.6/3.8 A	Speed	3525 rpm
Service Factor	1	Phase	3
Efficiency	87.5 %	Duty	Continuous
Insulation Class	F	Design Code	B
KVA Code	K	Frame	182TC
Enclosure	Explosion Proof Fan cooled	Overload Protector	No
Ambient Temperature	40 °C	Drive End Bearing Size	6207
Opp Drive End Bearing Size	6206	UL	No
CSA	N	CE	N
IP Code	54		

Technical Specifications

Electrical Type	Squirrel Cage Induction Run	Starting Method	Across The Line
Poles	2	Rotation	Reversible
Mounting	Round	Motor Orientation	Horizontal
Drive End Bearing	Ball	Opp Drive End Bearing	Ball
Frame Material	Cast Iron	Shaft Type	T
Overall Length	18.62 in	Frame Length	10.00 in
Shaft Diameter	1.125 in	Shaft Extension	2.62 in
Assembly/Box Mounting	F1 Only		
Outline Drawing	035694-1000	Connection Diagram	EE7308T

This is an uncontrolled document once printed or downloaded and is subject to change without notice. Date Created: 07/02/2018



NOTES:

1. NAMEPLATE TO BE READ FROM CONDUIT BOX SIDE OF MOTOR.
2. CONDUIT BOX CAN ROTATED IN 90° STEPS.
3. CONDUIT BOX CAN BE MOUNTED ON OPPOSITE SIDE BY REMOVING BRACKETS AND TURNING FRAME 180° THIS MODIFICATION CAN BE PERFORMED ONLY BY MARATHON ELECTRIC OR BY A FACILITY THAT IS COVERED UNDER UNDERWRITERS LABORATORIES INC. PTKQ, TITLED " MOTOR AND GENERATORS, REBUILT FOR USE HAZARDOUS LOCATIONS".

1000	182/184	18.62	16.00	7.38
DASH	FRAME	C	AG	BV

		TOLERANCES UNLESS SPECIFIED			DRAWN ST 8-07-2008
		DEC	INCHES		CHK VV 8-07-2008
		X	±.1		APPR
		XX	±.03		TITLE OUTLINE-EPFC - C' FACE, ROUND FRAME.
		XXX	±.005		180 FR. - CAST C'BOX
		XXXX	±.0005	MATL	SCALE 7:16
NO	REVISION	BY & DATE	CHK ANG ±7'30"	FINISH	REF 035673
THIS DRAWING IN DESIGN AND DETAIL IS OUR PROPERTY AND MUST NOT BE USED EXCEPT IN CONNECTION WITH OUR WORK. ALL RIGHTS OF DESIGN AND INVENTION ARE RESERVED. THIS IS AN ELECTRONICALLY GENERATED DOCUMENT - DO NOT SCALE THIS PRINT				RFP	PREV
				CAD FILE 035694	SIZE B
				DIST WA - NLV	DRAWING NO 035694
					REV

HIGH VOLTAGE

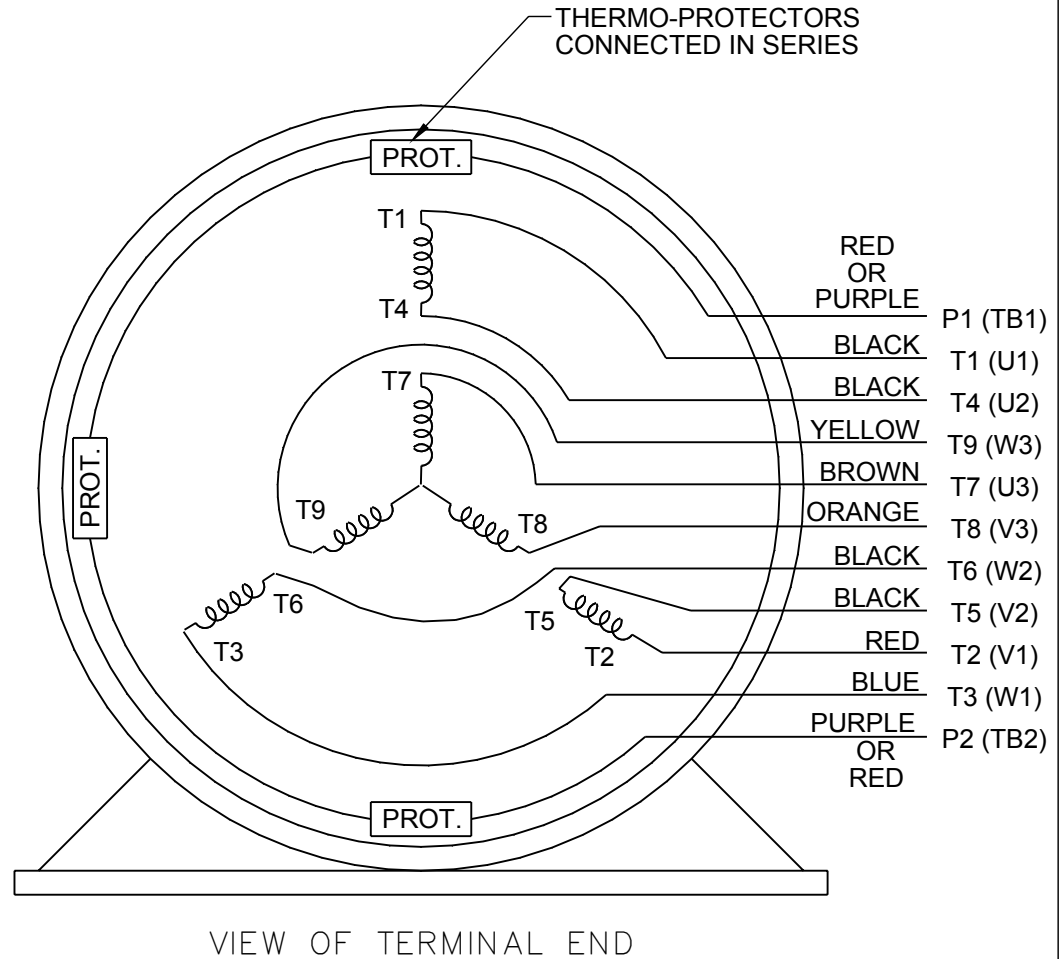


**NOTE FOR FACTORY USE ONLY:
TO SURGE TEST FOR COMMON CONNECT:**
HIGH VOLT: CONNECT P1 TO T1
THEN P2 TO L1
LOW VOLT: CONNECT P1 TO T1 & T7,
THEN P2 TO L1

LOW VOLTAGE



THREE PHASE DUAL VOLTAGE MOTOR



NOTE: LEAD'S COLOR CAN BE YELLOW OR WHITE FOR MT2 PLANT

DRAWING REVISION R	REVISION BY AJW	DATE 07-17-2015		DRAWN BY SMC	Regal Beloit America, Inc.	
ECO ECO-0081632	APPROVED BY T. VUE	DATE 07-17-2015		DATE 05-13-1992		
ECO DESCRIPTION REV'D IEC NOTATIONS PER IEC 60034-8				APPROVED BY TB	DESCRIPTION CONN DIAGRAM-INTERNAL 3 PHASE - DUAL VOLTAGE MOTOR	
COPYRIGHT REGAL BELOIT AMERICA, INC. ALL RIGHTS RESERVED. PROPRIETARY AND CONFIDENTIAL INFORMATION - THIS DOCUMENT IS THE PROPERTY OF REGAL BELOIT AMERICA, INC. ("OWNER") AND CONTAINS OWNER'S PROPRIETARY INFORMATION. ANY PERSON, CORPORATION OR OTHER FIRM RECEIVING IT IS DEEMED, BY RECEIVING IT, TO AGREE THAT IT, AND/OR ANY PART OF IT, SHALL NOT BE DISCLOSED TO ANY PERSON, CORPORATION OR OTHER ENTITY, DUPLICATED, AND/OR USED, EXCEPT AS EXPRESSLY APPROVED IN WRITING IN ADVANCE BY OWNER. THIS DOCUMENT SHALL BE RETURNED TO OWNER UPON REQUEST. IT MAY BE SUBJECT TO CERTAIN RESTRICTIONS UNDER APPLICABLE EXPORT CONTROL LAWS AND REGULATIONS.				DATE 05-13-1992	MATERIAL EE7308/EE7300	PROCESS/FINISH
			THIRD ANGLE PROJECTION	SIZE A	DRAWING NUMBER EE7308T	SHEET 1 OF 1

CERTIFICATION DATA SHEET

Model#: 182TTGN16003 AA **WINDING#:** 1822101 FN 1
CONN. DIAGRAM: EE7308T **ASSEMBLY:** F1 ONLY
OUTLINE: 035694-1000

TYPICAL MOTOR PERFORMANCE DATA

HP	KW	SYNC. RPM	F.L. RPM	FRAME	ENCLOSURE	KVA CODE	DESIGN
3&2	2.24&1.49	3600	3525&2935	182TC	EPFC	K	B

PH	Hz	VOLTS	FL AMPS	START TYPE	DUTY	INSL	S.F	AMB°C	ELEVATION
3	60/50	230/460#190/ 380	7.6/3.8&6.4/3. 2	ACROSS THE LINE	CONTINUOU S	F3	1.0/1.0	40	3300

FULL LOAD EFF: 87.5&85.5	3/4 LOAD EFF: 86.5	1/2 LOAD EFF: 84	GTD. EFF	ELEC. TYPE	NO LOAD AMPS
FULL LOAD PF: 85&82	3/4 LOAD PF: 79	1/2 LOAD PF: 70	85.5	SQ CAGE IND RUN	3.4 / 1.7

F.L. TORQUE	LOCKED ROTOR AMPS	L.R. TORQUE	B.D. TORQUE	F.L. RISE°C
4.5 LB-FT	58 / 29	9 LB-FT 200	16 LB-FT 356	35

SOUND PRESSURE @ 3 FT.	SOUND POWER	ROTOR WK^2	MAX. WK^2	SAFE STALL TIME	STARTS /HOUR	APPROX. MOTOR WGT
72 dBA	82 dBA	0.23 LB-FT^2	4 LB-FT^2	15 SEC.	2	85 LBS.

***** SUPPLEMENTAL INFORMATION *****

DE BRACKET TYPE	ODE BRACKET TYPE	MOUNT TYPE	ORIENTATION	SEVERE DUTY	HAZARDOUS LOCATION	DRIP COVER	SCREENS	PAINT
C-FACE	STANDARD	ROUND	HORIZONTAL	FALSE	EXP PROOF CL I GR D CL II GR F&G T3B	FALSE	NONE	BLUE (ENAMEL)

BEARINGS		GREASE	SHAFT TYPE	SPECIAL DE	SPECIAL ODE	SHAFT MATERIAL	FRAME MATERIAL
DE	OPE						
BALL	BALL	POLYREX EM	T	NONE	NONE	1045 HOT ROLLED (C-204)	CAST IRON
6207	6206						

THERMO-PROTECTORS				THERMISTORS	CONTROL	SPACE /n HEATERS
THERMOSTATS	PROTECTORS	WDG RTDs	BRG RTDs			
TSTATS (N/C)	NOT	NONE	NONE	NONE	FALSE	NONE VOLTS

If Inverter equals NONE, contact factory for further information

INVERTER TORQUE: NONE
INV. HP SPEED RANGE: NONE
ENCODER: NONE
NONE NONE
NONE NONE PPR
BRAKE: NONE NONE
NONE P/N NONE
NONE NONE
NONE FT-LB NONE V NONE Hz

*
N
O
T
E
S
*

DATE: 06/27/2017 03:38:37 AM
FORM 3531 REV.3 02/07/99

** Subject to change without notice.

Data Sheet

182TTGN16003



Submittal
Data @ 460 V

Date: 6/19/2017

Customer:
Attention:
Submitted by: FAREEDA DUDEKULA

Motor Load Data

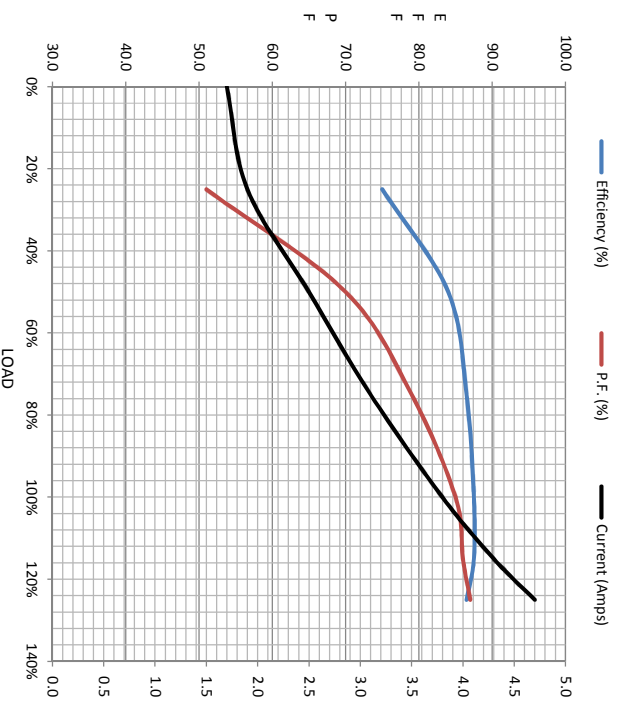
Load	0%	25%	50%	75%	100%	115%	125%	LR
Current (Amps)	1.70	1.90	2.50	3.1	3.8	4.3	4.7	29.0
Torque (ft-lb)	0.00	1.10	2.20	3.3	4.5	5.2	5.6	9.0
RPM	3600	3582	3565	3545	3525	3515	3505	0
P.F. (%)	11.0	75.0	84.0	86.5	87.5	87.5	86.5	85.0
		51.0	70.0	79.0	85.0	86.0	87.0	42.0

Motor Speed Data

	LR	Pull-Up	BD	Rated	Idle
Speed (rpm)	0	1100	2985	3525	3600
Current (Amps)	29.0	29.5	18.0	3.8	1.70
Torque (ft-lb)	9.0	10.5	16.0	4.5	0.00

Information Block

HP	3.0			
Sync. RPM	3600			
Frame	182			
Enclosure	TEFC			
Construction	TFS			
Voltage	30/460#190/38 V			
Frequency	60 HZ			
Design	B			
LR Code letter	K			
Service Factor	1.15			
Temp Rise @ FL	25 °C			
Duty	CONT			
Ambient	40 °C			
Elevation	1,000 feet			
Rotor/Shaft wkt	0.23 Lb-Fe			
Rel Wdg	1822101 FN			
Sound Pressure @ 1M	72 dBA			
VFD Rating	NONE			
Outline Dwg	035694-1000			
Conn. Diag	EE7308T			
Additional Specifications:				
0				
EQUIV CKT (OHMS / PHASE)				
R1	R2	X1	X2	Xm
1.7780	2.0150	7.3220	2.4500	167.4420



Speed -Torque Curve

