

PRODUCT INFORMATION PACKET

Model No: 184TBFW17044
Catalog No: I213A
3,1800,TEFC,184T,1/60/115/208-230
Totally Enclosed Fan Cooled (TEFC)



Regal and Marathon are trademarks of Regal Beloit Corporation or one of its affiliated companies.
©2018 Regal Beloit Corporation, All Rights Reserved. MC017097E





Nameplate Specifications

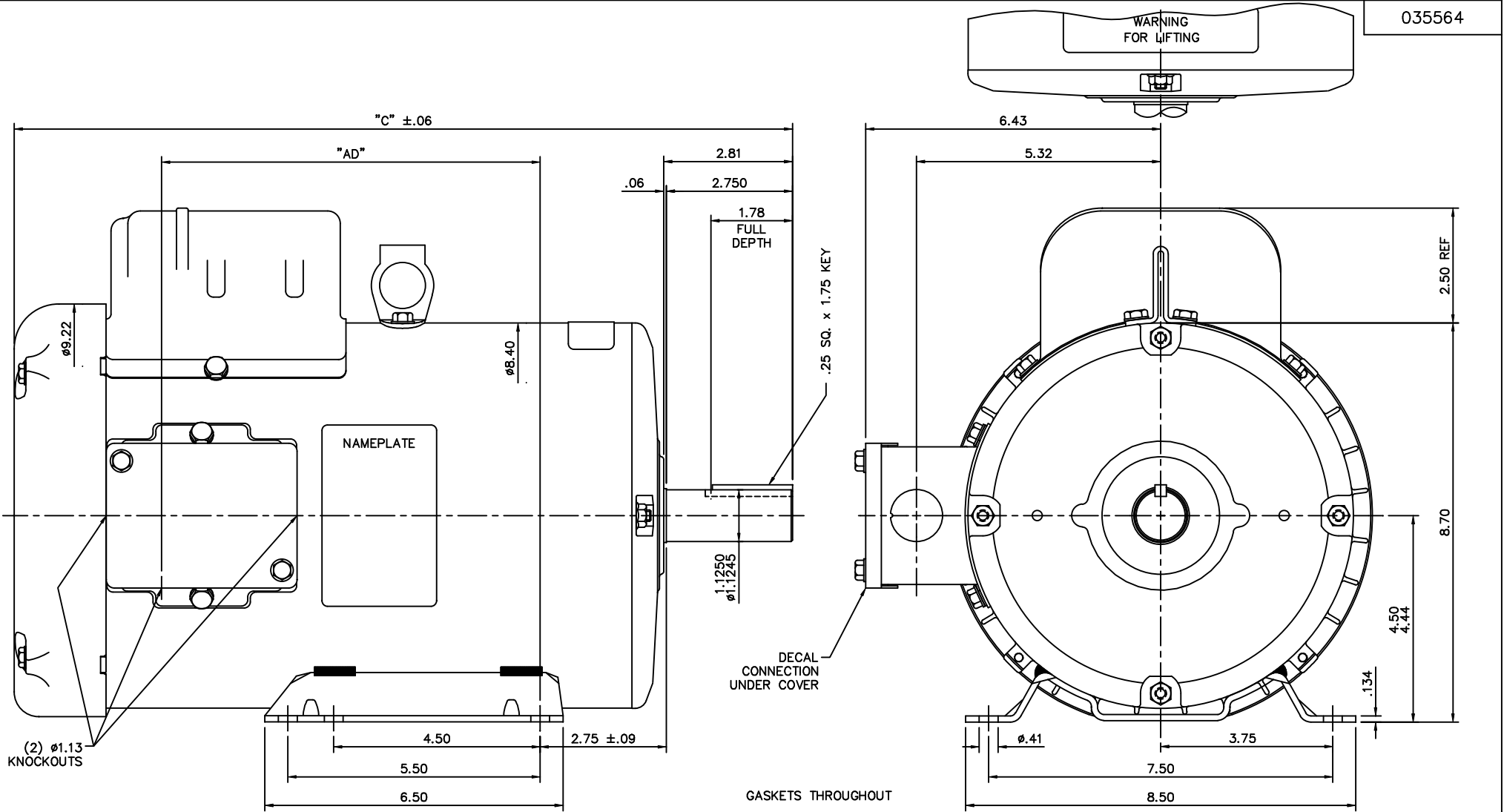
Output HP	3 Hp	Output KW	2.2 kW
Frequency	60 Hz	Voltage	115/208-230 V
Current	28.0/15.0-14.0 A	Speed	1755 rpm
Service Factor	1	Phase	1
Efficiency	80 %	Duty	Continuous
Insulation Class	F	Design Code	NO DESIGN CODE
KVA Code	K	Frame	184T
Enclosure	Totally Enclosed Fan Cooled	Overload Protector	No
Ambient Temperature	40 °C	Drive End Bearing Size	6206
Opp Drive End Bearing Size	6205	UL	Recognized
CSA	Y	CE	Y
IP Code	43		

Technical Specifications

Electrical Type	Capacitor Start Capacitor Run	Starting Method	Across The Line
Poles	4	Rotation	Selective Counterclockwise
Mounting	Rigid base	Motor Orientation	Horizontal
Drive End Bearing	Ball	Opp Drive End Bearing	Ball
Frame Material	Rolled Steel	Shaft Type	T
Overall Length	14.96 in	Frame Length	9.50 in
Shaft Diameter	1.125 in	Shaft Extension	2.81 in
Assembly/Box Mounting	F1 Only		
Outline Drawing	035564-950	Connection Diagram	005054.01ME

This is an uncontrolled document once printed or downloaded and is subject to change without notice. Date Created: 06/29/2018

035564



DASH NO.	"C"	"AD"
850	13.96	5.25
900	14.46	5.75
950	14.96	6.25
1000	15.46	6.75
1050	15.96	7.25
1150	16.46	7.75
1150	16.96	8.25
1200	17.46	8.75

NO.	REVISION	BY & DATE
01	DRAWING REDRAWN WITH NEW STANDARD C'BOX	KVN 4/8/2008

TOLERANCES UNLESS SPECIFIED	
DEC.	INCHES
.X	±.1
.XX	±.03
.XXX	±.005
.XXXX	±.0005
CHK	ANG ±1/2"
RFP	
DIST	

MARATHON ELECTRIC

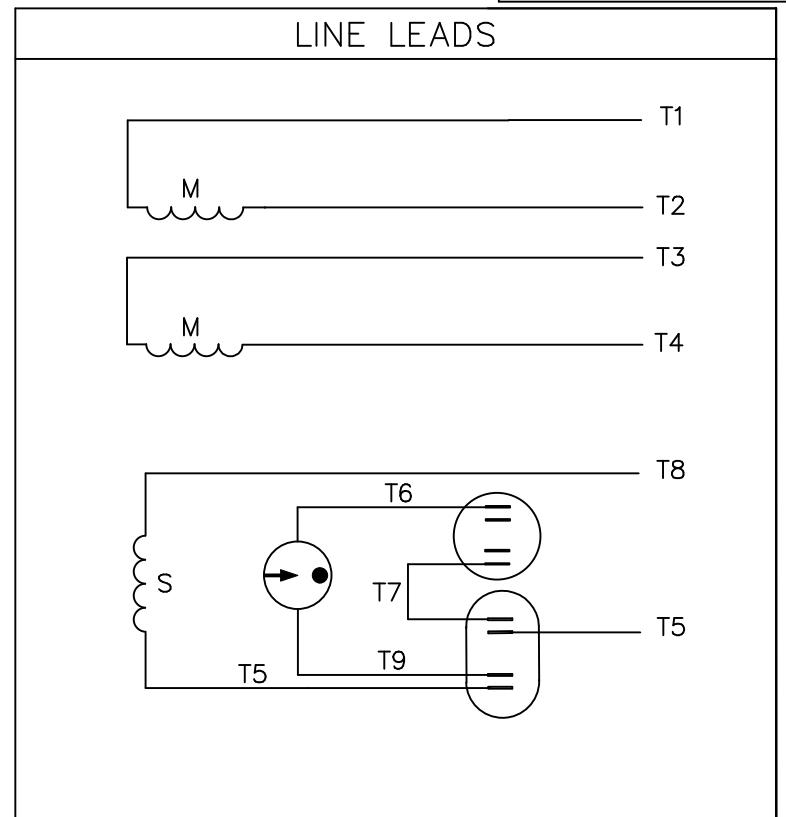
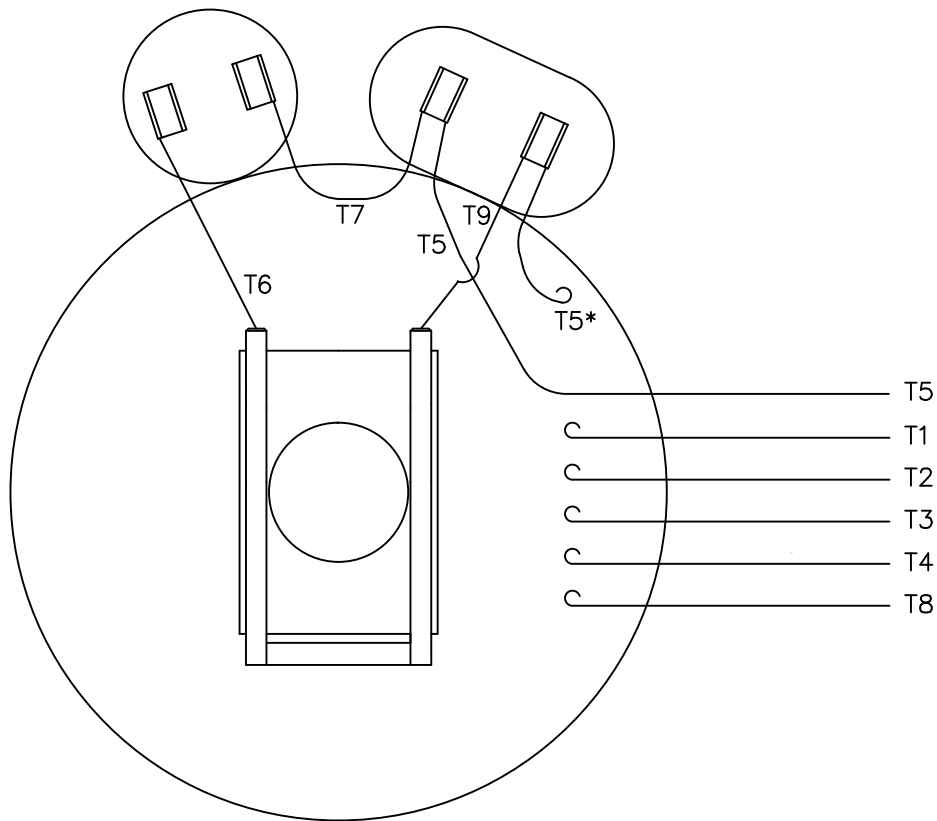
TITLE: OUTLINE- 180T FRAME
TEFC- RIGID

CAD FILE: 035564

DRAWN KVN 09/10/2007	CHK
APPD RDW	SCALE 1=2
REF 03549000	REF 184TBFW7701
PREV	REV. 01
SIZE B	DRAWING NO. 035564

THIS DRAWING IN DESIGN AND DETAIL IS OUR PROPERTY AND MUST NOT BE USED EXCEPT IN CONNECTION WITH OUR WORK ALL RIGHTS OF DESIGN AND INVENTION ARE RESERVED THIS IS AN ELECTRONICALLY GENERATED DOCUMENT - DO NOT SCALE THIS PRINT

VIEW FROM OUTSIDE OF MOTOR AT SWITCH END.



	ROTATION FACING LEAD END	L1	L2	JOIN
HIGH VOLT	C.C.W.	T1	T4 T5	T2,T3 T8
	C.W.	T1	T4 T8	T2,T3 T5
LOW VOLT	C.C.W.	T1 T3,T8	T2,T4 T5	
	C.W.	T1,T3 T5	T2,T4 T8	

* THIS LEAD MAY BE WHITE

		TOLERANCES UNLESS SPECIFIED		MARATHON ELECTRIC		DRAWN MOL 07/13/2009
		DEC.	INCHES			CHK MOL 07/13/2009
		.X	±.1			APPD
		.XX	±.01	TITLE		SCALE 1=1
		.XXX	±.005	EXT. WIRING DIAGRAM TYPE "K" W/O PROTECTOR		REF A-005053
		.XXXX	±.0005	MAT'L. DECAL-004012		FMF
NO.	REVISION	BY & DATE	CHK	ANG	FINISH	PREV
			RFP		CAD FILE 00505401ME	SIZE A
THIS DRAWING IN DESIGN AND DETAIL IS OUR PROPERTY AND MUST NOT BE USED EXCEPT IN CONNECTION WITH OUR WORK ALL RIGHTS OF DESIGN AND INVENTION ARE RESERVED THIS IS AN ELECTRONICALLY GENERATED DOCUMENT - DO NOT SCALE THIS PRINT			DIST BRF-NLV		DRAWING NO. 005054-01ME	
					REV.	

CERTIFICATION DATA SHEET

Model#: 184TBFW17044 AA **WINDING#:** K84107 NONE 3
CONN. DIAGRAM: 005054.01ME **ASSEMBLY:** F1 ONLY
OUTLINE: 035564-950

TYPICAL MOTOR PERFORMANCE DATA

HP	KW	SYNC. RPM	F.L. RPM	FRAME	ENCLOSURE	KVA CODE	DESIGN
3	2.24	1800	1755	184T	TEFC	K	NO DESIGN CODE

PH	Hz	VOLTS	FL AMPS	START TYPE	DUTY	INSL	S.F	AMB°C	ELEVATION
1	60	115/208-230	28/15-14	ACROSS THE LINE	CONTINUOUS	F4	1.0	40	3300

FULL LOAD EFF: 80	3/4 LOAD EFF: 78.5	1/2 LOAD EFF: 73	GTD. EFF	ELEC. TYPE	NO LOAD AMPS
FULL LOAD PF: 88	3/4 LOAD PF: 83	1/2 LOAD PF: 76.5	0	CAP START CAP RUN	12.4 / 6.2

F.L. TORQUE	LOCKED ROTOR AMPS	L.R. TORQUE	B.D. TORQUE	F.L. RISE°C
9 LB-FT	218 / 109	22.5 LB-FT 250	24.5 LB-FT 272	60

SOUND PRESSURE @ 3 FT.	SOUND POWER	ROTOR WK^2	MAX. WK^2	SAFE STALL TIME	STARTS /HOUR	APPROX. MOTOR WGT
0 dBA	10 dBA	0.357 LB-FT^2	0.4 LB-FT^2	10 SEC.	0	0 LBS.

***** SUPPLEMENTAL INFORMATION *****

DE BRACKET TYPE	ODE BRACKET TYPE	MOUNT TYPE	ORIENTATION	SEVERE DUTY	HAZARDOUS LOCATION	DRIP COVER	SCREENS	PAINT
STANDARD	STANDARD	RIGID	HORIZONTAL	FALSE	NONE	FALSE	NONE	BLUE (ENAMEL)

BEARINGS		GREASE	SHAFT TYPE	SPECIAL DE	SPECIAL ODE	SHAFT MATERIAL	FRAME MATERIAL
DE	OPE	POLYREX EM	T	NONE	NONE	AISI 1045 (C-240)	ROLLED STEEL
BALL	BALL						
6206	6205						

THERMO-PROTECTORS				THERMISTORS	CONTROL	SPACE /n HEATERS
THERMOSTATS	PROTECTORS	WDG RTDs	BRG RTDs	NONE	FALSE	NONE VOLTS
NONE	NOT	NONE	NONE			

If Inverter equals NONE, contact factory for further information

*
N
O
T
E
S
*

INVERTER TORQUE: NONE
INV. HP SPEED RANGE: NONE
ENCODER: NONE
NONE NONE
NONE NONE PPR
BRAKE: NONE NONE
NONE P/N NONE
NONE NONE
NONE FT-LB NONE V NONE Hz

DATE: 07/08/2017 12:48:32 AM
 FORM 3531 REV.3 02/07/99
 ** Subject to change without notice.