

PRODUCT INFORMATION PACKET

Model No: 184TTDR16009
Catalog No: M804B
5,1800,DP,184HPV,3/60/230/460
Vertical Hollow Shaft P-Base



Regal and Marathon are trademarks of Regal Beloit Corporation or one of its affiliated companies.
©2018 Regal Beloit Corporation, All Rights Reserved. MC017097E



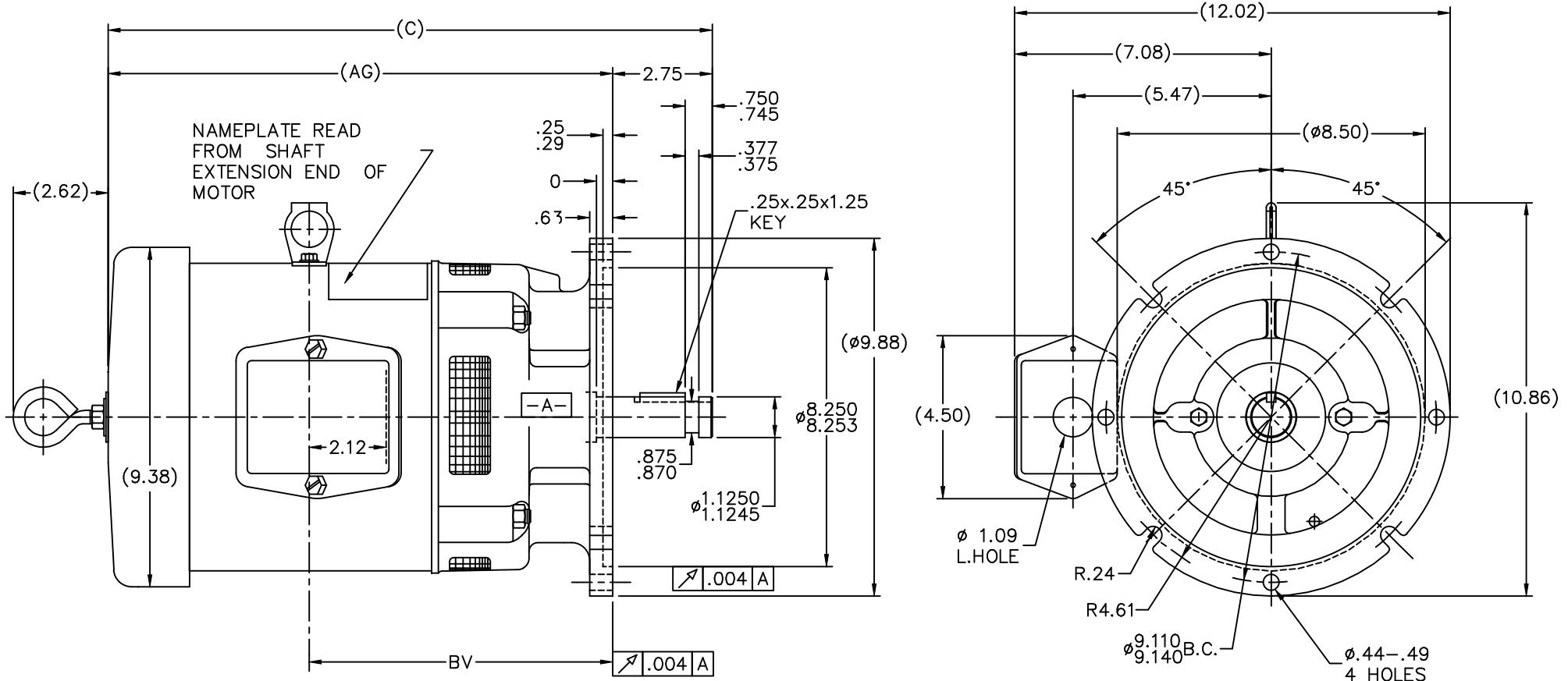
Nameplate Specifications

Output HP	5 Hp	Output KW	3.7 kW
Frequency	60 Hz	Voltage	230/460 V
Current	12.6/6.3 A	Speed	1750 rpm
Service Factor	1.15	Phase	3
Efficiency	89.5 %	Duty	Continuous
Insulation Class	F	Design Code	B
KVA Code	J	Frame	184HPV
Enclosure	Drip Proof	Overload Protector	No
Ambient Temperature	40 °C	Drive End Bearing Size	207
Opp Drive End Bearing Size	205	UL	Recognized
CSA	Y	CE	Y
IP Code	22		

Technical Specifications

Electrical Type	Squirrel Cage Induction Run	Starting Method	Across The Line
Poles	4	Rotation	Reversible
Mounting	Round	Motor Orientation	SHAFT DOWN
Drive End Bearing	BALL	Opp Drive End Bearing	BALL
Frame Material	Rolled Steel	Shaft Type	HP
Overall Length	18.18 in	Frame Length	8.25 in
Shaft Diameter	0.875 in	Shaft Extension	2.75 in
Assembly/Box Mounting	F1/F2 CAPABLE		
Outline Drawing	B-SS63891-825	Connection Diagram	A-EE7308

This is an uncontrolled document once printed or downloaded and is subject to change without notice. Date Created: 10/30/2018



BOX CAN BE ROTATED IN 90° STEPS.

DASH	FR.	C	AG	BV
575	182HP	15.68	12.93	7.88
675	182/4HP	16.68	13.93	8.38
725	182/4HP	17.18	14.43	8.63
775	182/4HP	17.68	14.93	8.88
825	182/4HP	18.18	15.43	9.13
875	182/4HP	18.68	15.93	9.38

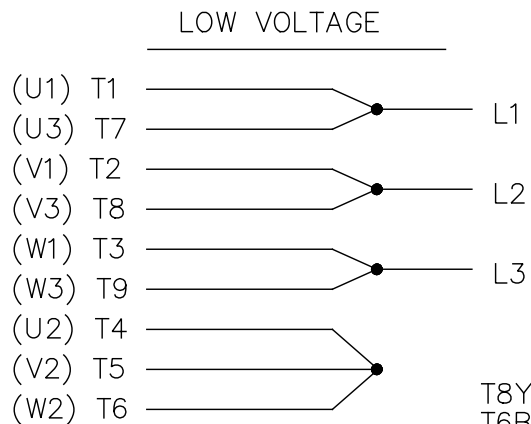
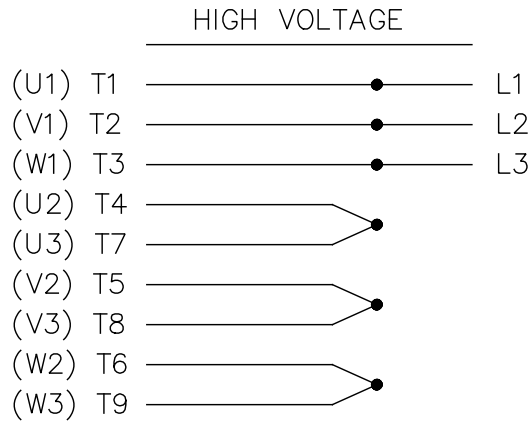
10-03-2001
10-03-2001

NO.	REVISION	BY & DATE	CHK	ANG	FINISH	PREV
14	UPDATED DRAWING	RJW 04-19-2007				
13	REDRAWN IN AUTOCAD	TAT 07-22-2004	ML	DEC.	INCHES	
12	UPDATED REAR BRACKET	HLB 12-05-2001	ML	.X	±.1	
11	ADDED LIFTING LUG	MU38434 DAH 08-20-2001		.XX	±.03	
10	REV. -675, -775, -875 FR.	CN 27400-320 CAE 10-13-1999		.XXX	±.005	
9	REVISED EYEBOLT LOCATION	MU25204 CAE 06-02-1999		.XXXX	±.0005	
				ANG	±7'30"	
			RFP			
			DIST	LB		

TOLERANCES UNLESS SPECIFIED			DRAWN LZ 07-05-1994	
ML	DEC.		CHK	ML 07-06-1994
TITLE OUTLINE		APPD GK 07-06-1994		
180HP FR. - BB - TS - DR.PR. - 'P' BASE		SCALE 3=8		
MAT'L		REF		
FINISH		FMF		
CAD FILE ss63891		PREV		
SIZE	DRAWING NO.	PAGE	OF	REV.
B	SS63891			14

EE7308

THREE PHASE
DUAL VOLTAGE MOTOR



VIEW OF TERMINAL END

REF.
WINDING DIAGRAM

T8Y, T2Y, T2BL, T4BX, T2EC, T2G
T6BZ, T2B, T6BL, T4AV, T6B, T4B

OPTIONAL CORD
CONNECTION

L1 — WHITE
L2 — RED
L3 — BLACK

NO.	REVISION	BY & DATE	CHK	ANG	TOLERANCES UNLESS SPECIFIED		FINISH	DRAWN RM 11/20/1990				
					DEC.	INCHES						
5	CHG TO REGAL LOGO	SL 09/10/2015	AB					CHK ML 11/21/1990				
4	REVISED IEC NOTATIONS	MSG 11/15/2011	CMN	.X	±.1			APPD SAS 04/24/2003				
3	ADDED IEC NOTATIONS... (U1), (V1) ETC. MU95194	MSG 5/10/2010	MJS	.XX	±.02		TITLE CONNECTION DIAGRAM	SCALE 1=1				
2	ADDED THE OPTIONAL CORD CONNECTION MU46318	RDH 04/24/2003	DRS	.XXX	±.005		3Ø - DUAL VOLTAGE MOTOR	REF				
1	REDRAWN	RM 11/20/1990		.XXXX	±.0005		MAT'L.	FMF				
					±7'30"			PREV				
THIS DRAWING IN DESIGN AND DETAIL IS OUR PROPERTY AND MUST NOT BE USED EXCEPT IN CONNECTION WITH OUR WORK ALL RIGHTS OF DESIGN AND INVENTION ARE RESERVED THIS IS AN ELECTRONICALLY GENERATED DOCUMENT - DO NOT SCALE THIS PRINT							RFP	CAD FILE ee7308	SIZE A	DRAWING NO. EE7308	PAGE OF 5	REV. 5
							DIST WP					



Regal Beloit America, Inc.

3Ø - DUAL VOLTAGE MOTOR



P.O. BOX 8003
WAUSAU, WI 54401-8003
PH. 715-675-3311

DATA VOLTS: 460

CERTIFICATION DATA SHEET

CUSTOMER: _____ CUSTOMER P.O. #: _____
 ORDER #: _____ REFERENCE MODEL #: 184TTDR16009
 CONN. DIAGRAM: A-EE7308 CAT #: N/A
 B-SS63891-825
 OUTLINE: B-SS63891-825 CUSTOMER PART #: _____
 WINDING: K1844214 NONE 1 MOUNTING: F1/F2 CAPABLE
 SPEED: _____

TYPICAL MOTOR PERFORMANCE DATA

HP	KW	SYNC RPM	FL RPM	FRAME	ENCLOSURE	TYPE	KVA CODE	DESIGN					
5	3.7	1800	1750	184HPV	DP	TDR	J	B					
PH	HZ	VOLTS	AMPS	START TYPE	DUTY	INSL	S.F.	AMB	ELEV.				
3	60	230/460	12.6/6.3	ACROSS-THE LINE	CONT	F	1.15	40	3300				
F.L. EFF		3/4 LD EFF		1/2 LD EFF		GTD EFF		ELECT. TYPE					
89.5		90.2		89.5		87.5		SQ CAGE IND RUN					
F.L. PF		3/4 LD PF		1/2 LD PF		GTD PF		SQ CAGE IND RUN					
82.0		77.0		66.0		87.5							
F.L. TORQUE		LR AMPS @ 460 V		L.R. TORQUE		B.D. TORQUE		F.L. RISE (°C)					
15.0 LB-FT		46.0		31.5 LB-FT		50.0 LB-FT		333%					
@ 3 FT. DBA		POWER		ROTOR WK ²		MAX. LOAD WK ²		SAFE STALL TIME		START/SHOUR		MOTOR WGT	
63		72 DBA		0.45 LB-FT ²		30 LB-FT ²		20 SEC.		2		100 LB.	

*** SUPPLEMENTAL INFORMATION ***

DE BRACKET TYPE	ODE BRACKET TYPE	MOUNT TYPE	MOTOR ORIENTATION	SEVERE DUTY	HAZARDOUS LOCATION	DRIP COVER	SCREENS	PAINT					
P-BASE	STANDARD	ROUND	SHAFT DOWN	NO	NONE	YES	NONE	BLUE (ENAMEL)					
BEARINGS		SHAFT TYPE		SPECIAL ODE		SHAFT MATERIAL		FRAME MATERIAL					
DE BALL 207	ODE BALL 205	HP		NONE		1144 STRESSPROOF (C-223)		ROLLED STEEL					
THERMOSTATS		WDG RTD's		BRG RTD's		THERMISTORS		SPACE HEATERS					
NONE		NOT		NONE		NONE		NA					
R1 (ohms/ph)		R2 (ohms/ph)		X1 (ohms/ph)		X2 (ohms/ph)		Xm (ohms/ph)		VIBRATION (in/sec)		FLOAT ODE	
1.545		1.102		3.675		5.129		93.72		0.150			

* N		INVERTER TORQUE: NONE	
O		INV. HP SPEED RANGE: NONE	
T		ENCODER: NONE	
E		BRAKE: NONE	
S		FT-LB: NONE	
.		VOLTAGE: NONE	

PREPARED BY: FAREEDA DUDEKULA
 DATE: 8/31/2018
 UL: V/INS, CONST UL REC
 HZ:

Data Sheet

184TDR16009

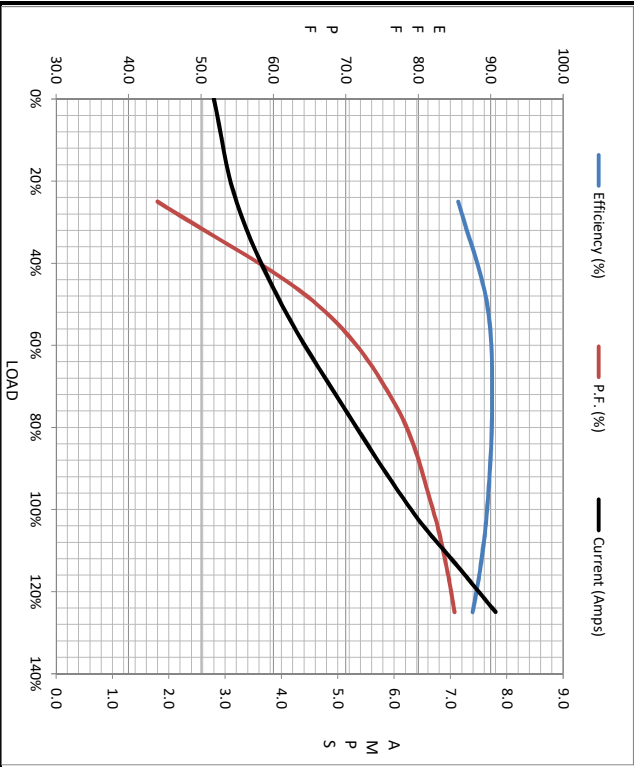


Date: 8/31/2018
 Customer:
 Attention:
 Submitted by: FAREEDA DUDEKULA

184TDR16009
 Submit
 Data @ 460 V

Load	Motor Load Data									
	0%	25%	50%	75%	100%	115%	125%	LR		
Current (Amps)	2.80	3.2	4.0	5.1	6.3	7.2	7.8	46.0		
Torque (ft-lb)	0.00	3.7	7.4	11.2	15.0	17.5	19.0	31.5		
RPM	1800	1790	1775	1765	1750	1,745	1735	0		
Efficiency (%)		85.5	89.5	90.2	89.5	88.5	87.5			
P.F. (%)	6.5	44.0	66.0	77.0	82.0	84.0	85.0	50.0		

	Motor Speed Data					Information Block																			
	LR	Pull-Up	BD	Rated	Idle	HP	Frame	Enclosure	Construction	Voltage	Frequency	Design	LR Code letter	Service Factor	Temp Rise @ FL	Duty	Ambient	Elevation	Rotor/Shaft wk ²	Ret Wdg	Sound Pressure @ 1M	VFD Rating	Outline Dwg	Com. Diag	Additional Specifications:
Speed (RPM)	0	750	1500	1750	1800	5.0	1800	DP	TDR	230/460	60	B	J	1.15	50	CONT	40	1,000	0.45	NONE	63	NONE	B-SS63891-825	A-EE7308	
Current (Amps)	46.0	43.0	26.0	6.3	2.80		184364TFC6081																		
Torque (ft-lb)	31.5	30.0	50.0	15.0	0.00																				



	R1	R2	X1	X2	Xm
EQUIV CKT (OHMS / PHASE)	1.5450	1.1020	3.6750	5.1290	93.7200

