

# PRODUCT INFORMATION PACKET

Model No: 184TTDW16040  
Catalog No: E916B  
5,1800,DP,184T,3/60/575  
Open Drip Proof (ODP)



Regal and Marathon are trademarks of Regal Beloit Corporation or one of its affiliated companies.  
©2018 Regal Beloit Corporation, All Rights Reserved. MC017097E



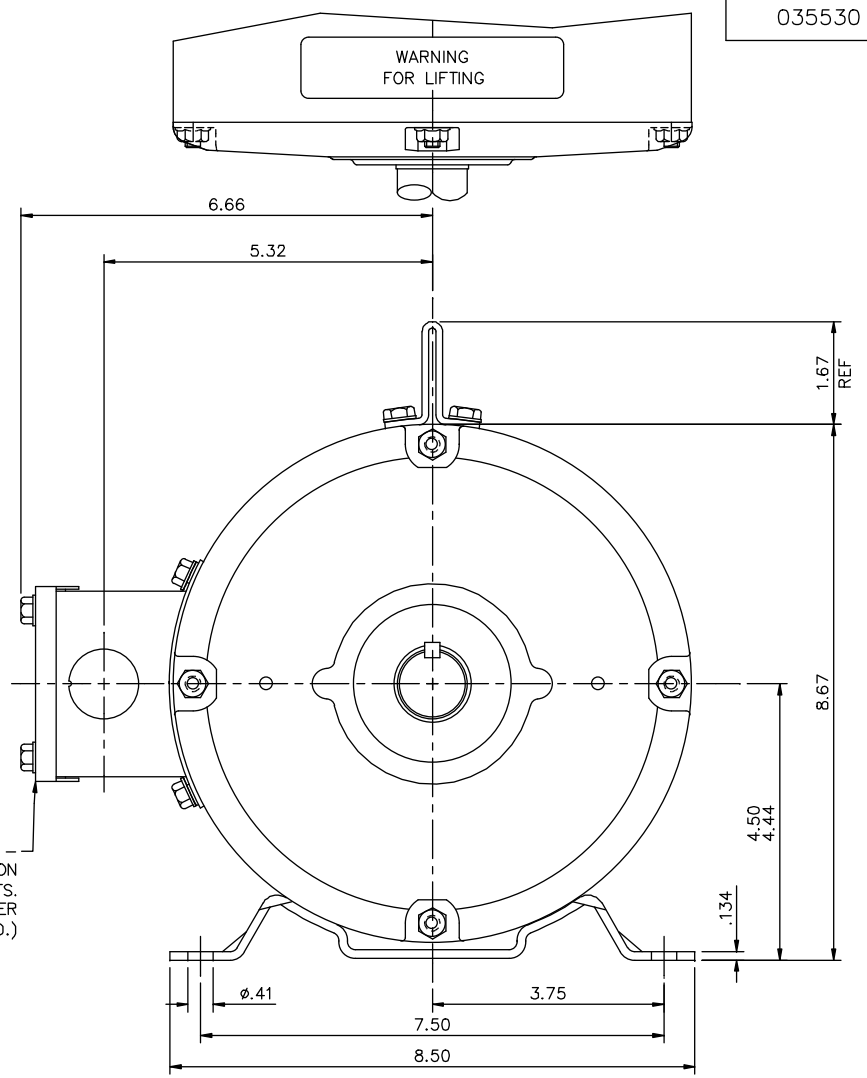
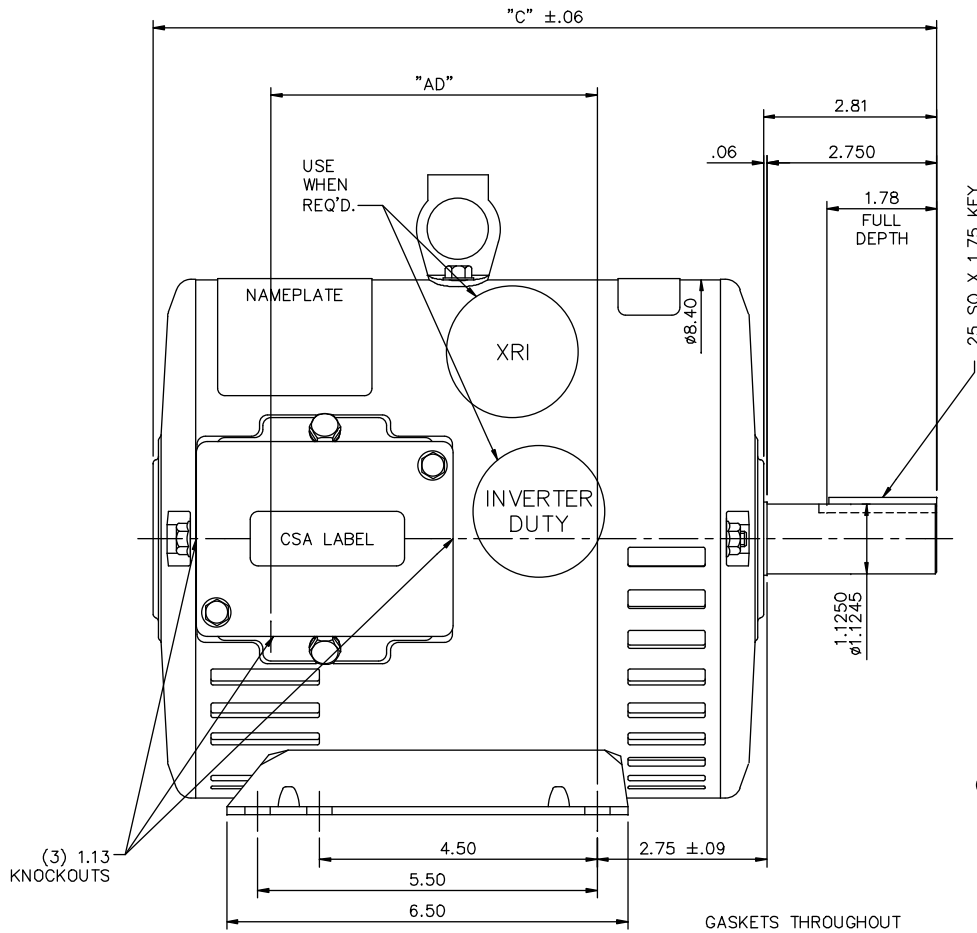


### Nameplate Specifications

Output HP	<b>5 Hp</b>	Output KW	<b>3.7 kW</b>
Frequency	<b>60 Hz</b>	Voltage	<b>575 V</b>
Current	<b>5.1 A</b>	Speed	<b>1755 rpm</b>
Service Factor	<b>1.15</b>	Phase	<b>3</b>
Efficiency	<b>89.5 %</b>	Duty	<b>Continuous</b>
Insulation Class	<b>F</b>	Design Code	<b>B</b>
KVA Code	<b>J</b>	Frame	<b>184T</b>
Enclosure	<b>Drip Proof</b>	Overload Protector	<b>No</b>
Ambient Temperature	<b>40 °C</b>	Drive End Bearing Size	<b>6206</b>
Opp Drive End Bearing Size	<b>6205</b>	UL	<b>Recognized</b>
CSA	<b>Y</b>	CE	<b>Y</b>
IP Code	<b>22</b>		

### Technical Specifications

Electrical Type	<b>Squirrel Cage Inverter Rated</b>	Starting Method	<b>Line Or Inverter</b>
Poles	<b>4</b>	Rotation	<b>Reversible</b>
Mounting	<b>Rigid base</b>	Motor Orientation	<b>Horizontal</b>
Drive End Bearing	<b>Ball</b>	Opp Drive End Bearing	<b>Ball</b>
Frame Material	<b>Rolled Steel</b>	Shaft Type	<b>T</b>
Overall Length	<b>14.19 in</b>	Frame Length	<b>10.00 in</b>
Shaft Diameter	<b>1.125 in</b>	Shaft Extension	<b>2.81 in</b>
Assembly/Box Mounting	<b>F1 Only</b>		
Outline Drawing	<b>035530-1000</b>	Connection Diagram	<b>005102.01ME</b>

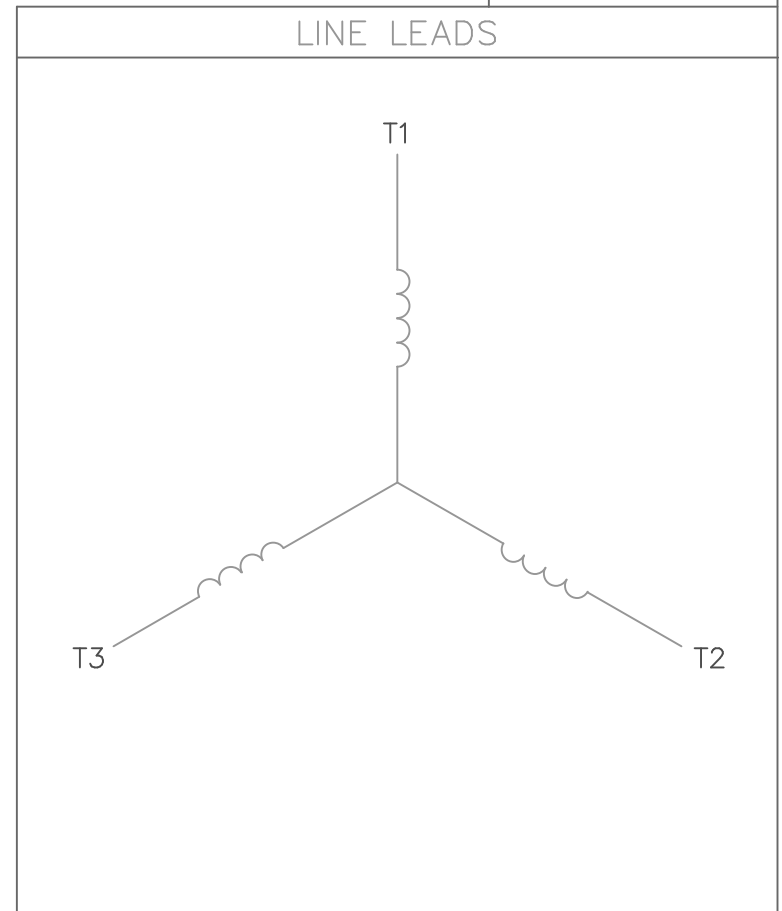
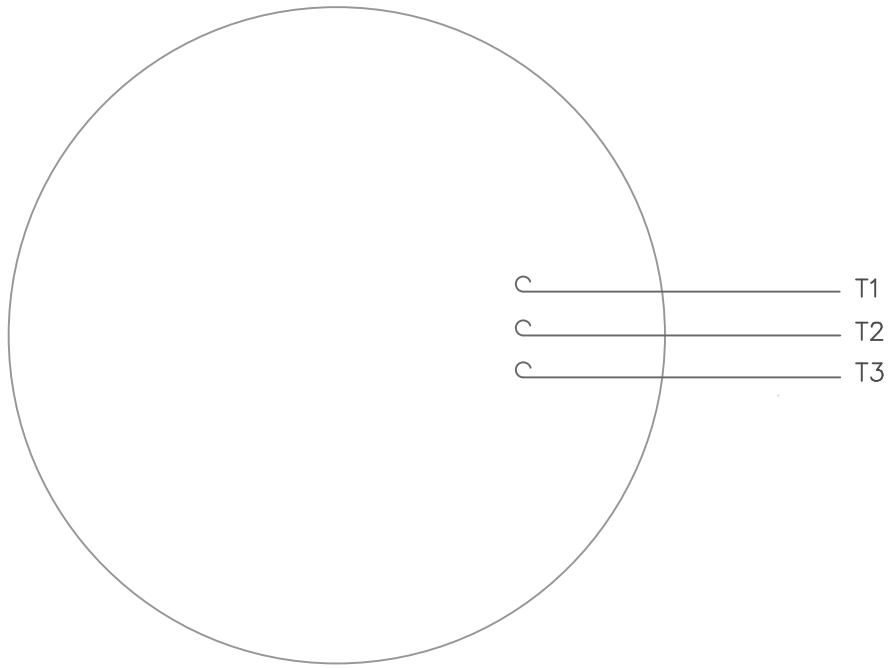


GASKETS THROUGHOUT

DASH NO.	"C"	"AD"
850	12.69	5.25
900	13.19	5.75
950	13.69	6.25
1000	14.19	6.75
1050	14.69	7.25
1100	15.19	7.75
1150	15.69	8.25

		TOLERANCES UNLESS SPECIFIED		MARATHON ELECTRIC		DRAWN			
		DEC.	INCHES			YS 06/21/07			
		.X	±.1			CHK			
03	REMOVED INV & XRI DECALS AS PER ISSAC 12-5294	.XX	±.03	TITLE		APPD			
02	ADDED STICKER LOCATIONS PER ECR 91487	.XXX	±.005	OUTLINE - 180T FRAME		SCALE 1=2			
01	TITLE BLOCK WAS LEESON	.XXXX	±.0005	DRIP PROOF - RIGID		REF 035464			
NO. REVISION		BY & DATE	CHK ANG	MATERIAL		FMF			
			±1/2'	FINISH		PREV			
THIS DRAWING IN DESIGN AND DETAIL IS OUR PROPERTY AND MUST NOT BE USED EXCEPT IN CONNECTION WITH OUR WORK ALL RIGHTS OF DESIGN AND INVENTION ARE RESERVED THIS IS AN ELECTRONICALLY GENERATED DOCUMENT - DO NOT SCALE THIS PRINT				RFP	CAD FILE	035530	SIZE	DRAWING NO.	REV.
				DIST	NLV		B	035530	03

VIEW FROM OUTSIDE OF MOTOR AT SWITCH END.



CONNECT LEADS AS FOLLOWS  
FOR FOUR CONDUCTOR CORD ( )

CORD	L1 (RED)	L2 (WHITE)	L3 (BLACK)	(GREEN)
MOTOR	T1	T2	T3	GROUND

				TOLERANCES UNLESS SPECIFIED				DRAWN RDW 5/1/02		
				DEC.	INCHES			CHK		
				.X	±.1			APPD		
				.XX	±.01			SCALE 1=1		
				.XXX	±.005			REF		
				.XXXX	±.0005	MAT'L. DECAL - 004169		FMF		
NO.	REVISION	BY & DATE	CHK	ANG	±1/2'	FINISH		PREV		
THIS DRAWING IN DESIGN AND DETAIL IS OUR PROPERTY AND MUST NOT BE USED EXCEPT IN CONNECTION WITH OUR WORK ALL RIGHTS OF DESIGN AND INVENTION ARE RESERVED THIS IS AN ELECTRONICALLY GENERATED DOCUMENT - DO NOT SCALE THIS PRINT				RFP	5/1/02	CAD FILE 00510201ME		SIZE	DRAWING NO.	REV.
				DIST				A	005102-01ME	

**CERTIFICATION DATA SHEET**

**Model#:** 184TTDW16040 AA      **WINDING#:** T84169 DR 4  
**CONN. DIAGRAM:** 005102.01ME      **ASSEMBLY:** F1 ONLY  
**OUTLINE:** 035530-1000

**TYPICAL MOTOR PERFORMANCE DATA**

<b>HP</b>	<b>KW</b>	<b>SYNC. RPM</b>	<b>F.L. RPM</b>	<b>FRAME</b>	<b>ENCLOSURE</b>	<b>KVA CODE</b>	<b>DESIGN</b>		
5	3.7	1800	1755	184T	DP	J	B		
<b>PH</b>	<b>Hz</b>	<b>VOLTS</b>	<b>FL AMPS</b>	<b>START TYPE</b>	<b>DUTY</b>	<b>INSL</b>	<b>S.F</b>	<b>AMB°C</b>	<b>ELEVATION</b>
3	60	575	5.1	LINE OR INVERTER	CONTINUOUS	F4	1.15	40	3300
<b>FULL LOAD EFF: 89.5</b>	<b>3/4 LOAD EFF: 90.7</b>	<b>1/2 LOAD EFF: 90.3</b>	<b>GTD. EFF</b>		<b>ELEC. TYPE</b>		<b>NO LOAD AMPS</b>		
<b>FULL LOAD PF: 83</b>	<b>3/4 LOAD PF: 78.5</b>	<b>1/2 LOAD PF: 68.5</b>	87.5		SQ CAGE INV RATED		2		
<b>F.L. TORQUE</b>		<b>LOCKED ROTOR AMPS</b>		<b>L.R. TORQUE</b>		<b>B.D. TORQUE</b>		<b>F.L. RISE°C</b>	
14.95 LB-FT		38		30 LB-FT 201		49.3 LB-FT 330		50	
<b>SOUND PRESSURE @ 3 FT.</b>	<b>SOUND POWER</b>	<b>ROTOR WK^2</b>	<b>MAX. WK^2</b>	<b>SAFE STALL TIME</b>	<b>STARTS /HOUR</b>	<b>APPROX. MOTOR WGT</b>			
- dBA	- dBA	0.434 LB-FT^2	- LB-FT^2	15 SEC.	2	0 LBS.			

**\*\*\* SUPPLEMENTAL INFORMATION \*\*\***

<b>DE BRACKET TYPE</b>	<b>ODE BRACKET TYPE</b>	<b>MOUNT TYPE</b>	<b>ORIENTATION</b>	<b>SEVERE DUTY</b>	<b>HAZARDOUS LOCATION</b>	<b>DRIP COVER</b>	<b>SCREENS</b>	<b>PAINT</b>
STANDARD	STANDARD	RIGID	HORIZONTAL	FALSE	NONE	FALSE	NONE	BLUE (ENAMEL)
<b>BEARINGS</b>		<b>GREASE</b>	<b>SHAFT TYPE</b>	<b>SPECIAL DE</b>	<b>SPECIAL ODE</b>	<b>SHAFT MATERIAL</b>	<b>FRAME MATERIAL</b>	
<b>DE</b>	<b>OPE</b>	POLYREX EM	T	NONE	NONE	AISI 1045 (C-240)	ROLLED STEEL	
BALL	BALL							
6206	6205							
<b>THERMO-PROTECTORS</b>					<b>THERMISTORS</b>	<b>CONTROL</b>	<b>SPACE /n HEATERS</b>	
<b>THERMOSTATS</b>	<b>PROTECTORS</b>	<b>WDG RTDs</b>	<b>BRG RTDs</b>					
NONE	NOT	NONE	NONE		NONE	FALSE	NONE VOLTS	

If Inverter equals NONE, contact factory for further information

INVERTER TORQUE: VARIABLE 10:1
INV. HP SPEED RANGE: NONE
ENCODER: NONE
NONE NONE
NONE NONE PPR
BRAKE: NONE NONE
NONE P/N NONE
NONE NONE
NONE FT-LB NONE V NONE Hz

\*  
N  
O  
T  
E  
S  
\*

DATE: 06/28/2017 06:36:49 AM  
 FORM 3531 REV.3 02/07/99  
 \*\* Subject to change without notice.