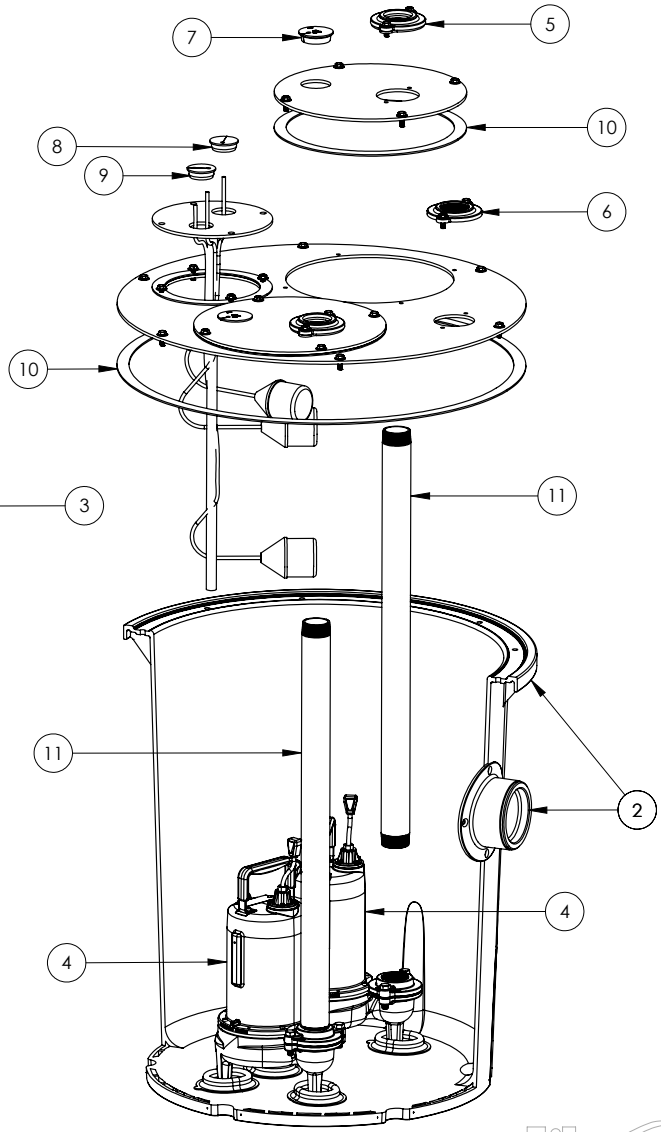
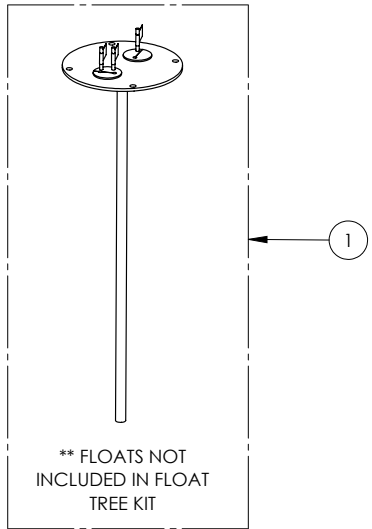
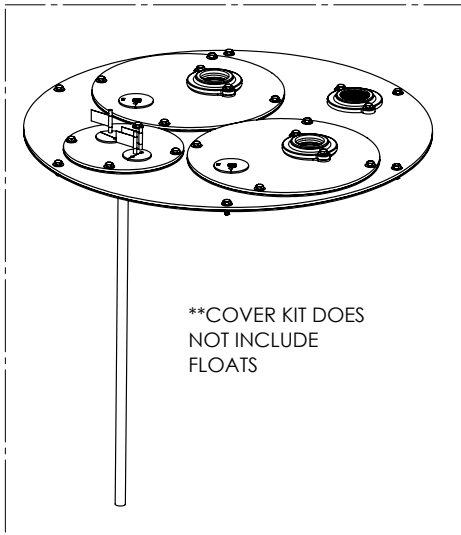


1100 SERIES

1102/LE72M (B10)



**1100 SERIES****1102/LE72M (B10)**

<b>#</b>	<b>PART #</b>	<b>DESCRIPTION</b>	<b>QTY</b>	<b>Note</b>
1	K001203	10" INSPECTION COVER WITH FLOAT TREE (FLOATS NOT INCLUDED)	1	
2	K001202	30" X 36" BASIN, WITH CAST IRON INLET HUB	1	
3	K001200	1100 COVER KIT 2" DISCH 2" VENT	1	
4	LE72M2	3/4 HP SEWAGE PUMP 208-230V 10' POWER CORD	2	
5	K001389	2" DISCHARGE FLANGE KIT	2	
6	K001390	2" VENT FLANGE KIT	1	
7	4508000	2 1/2" STOPPER - SINGLE 5/16" HOLE	2	
8	45480A0	SINGLE HOLE STOPPER	1	
9	45480B0	2" DOUBLE HOLE STOPPER	1	
10	45220C0	GASKET TAPE	1	
11	4068000	NIPPLE 2x36 PVC SCH 80	2	

---

1102/LE72M (B10)

1102-LE72M (B10-A).PDF

PAGE