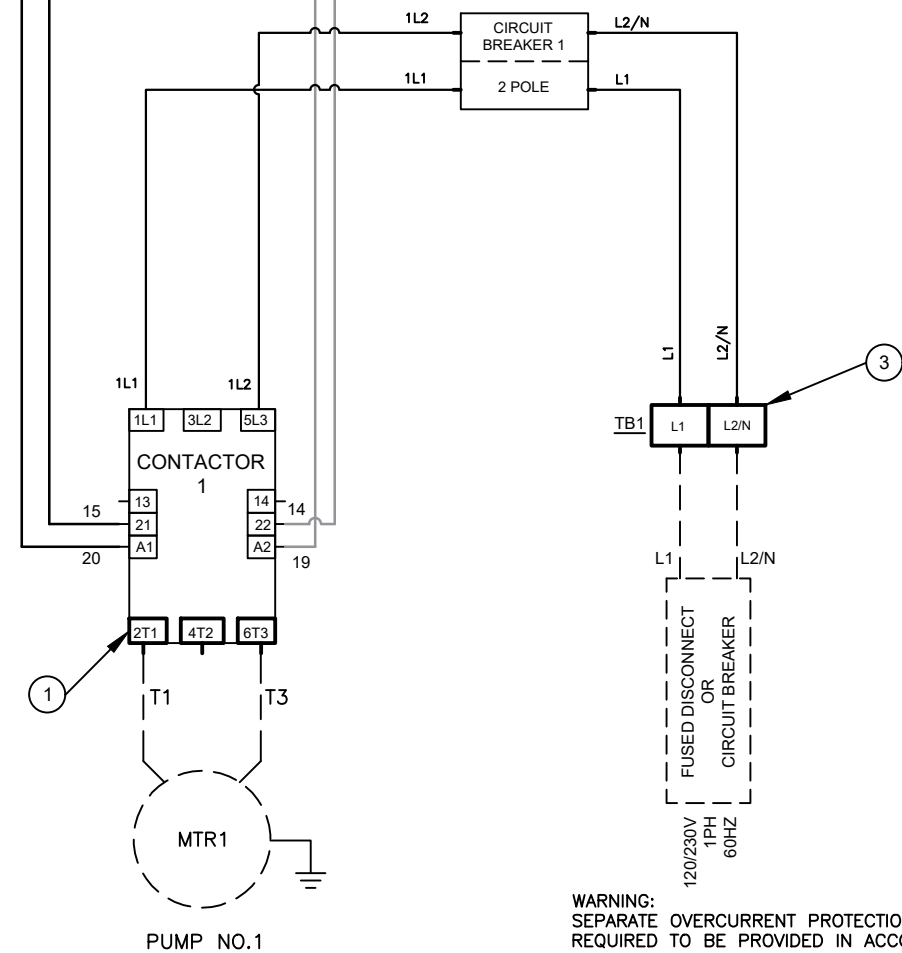
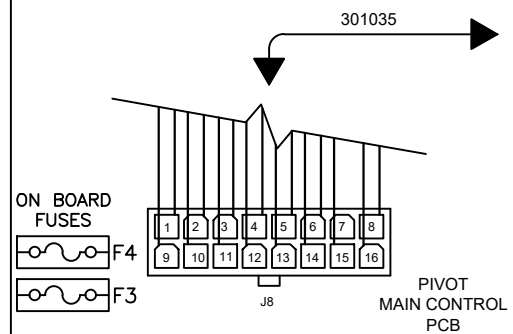
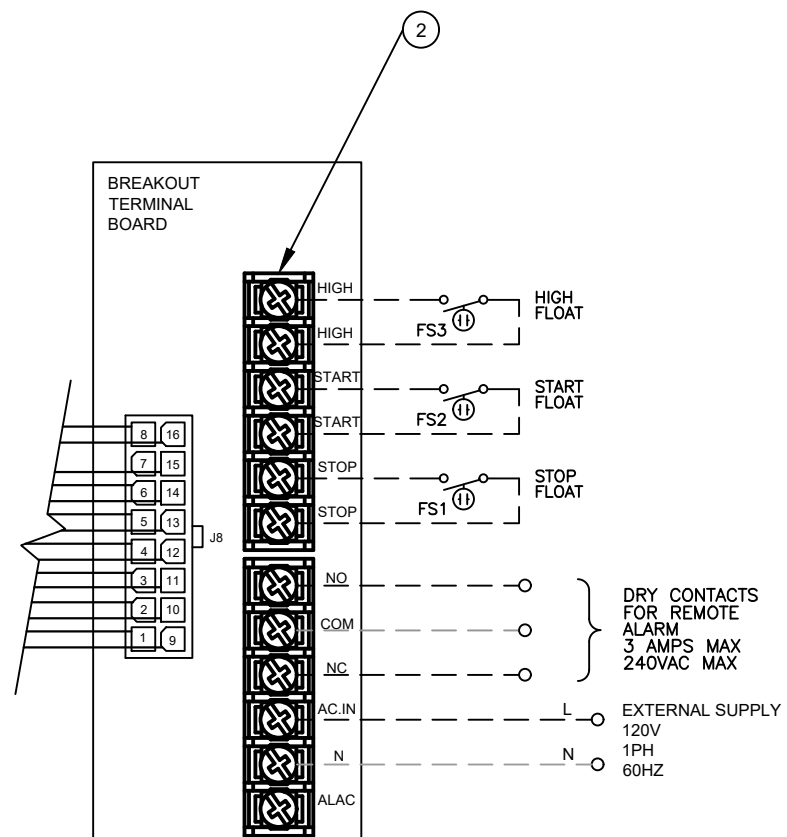
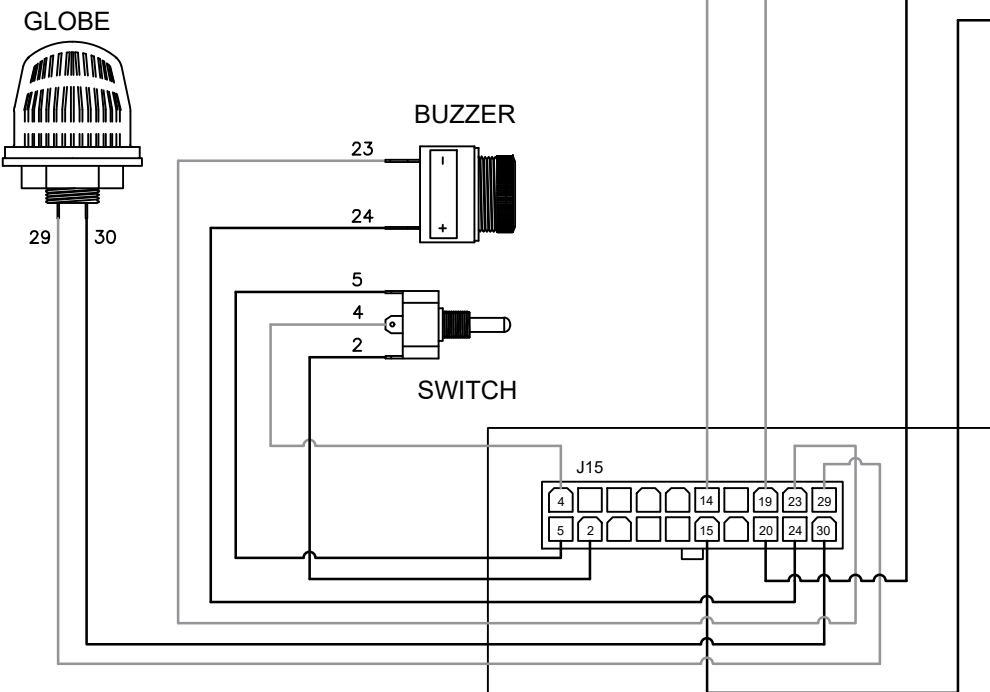


DRAWING REVISIONS				
LTR	BY	DATE	ECO #	DESCRIPTION
A	ISM	05/01/20	11069	RELEASE
B	AF	09/15/20	11110	JUMPER REMOVED
C	AF	01/13/21	11188	LEGAL NOTICE ADDED

CUSTOMER TORQUE SETTING		
NUMBER	COMPONENT	TORQUE
1	CONTACTORS	1.7 N.m. 15 lb-in
2	BREAKOUT TERMINAL BOARD	1.15 N.m. 10 lb-in
3	TERMINAL BLOCK	1.8 N.m. 16 lb-in



WARNING:
SEPARATE OVERCURRENT PROTECTION IS
REQUIRED TO BE PROVIDED IN ACCORDANCE
WITH THE NFPA70: NATIONAL ELECTRICAL CODE

- NOTES:
- CUSTOMER WIRING INDICATED BY DASHED LINES.
 - TIGHTENING TORQUE SPECIFIED IN "TORQUE SETTING" CHART.
 - WIRE TEMPERATURE RATING TO BE 60°C/140°F MINIMUM.
 - WIRING TYPE: COPPER AND SUITABLE FOR EXTERNAL HOOKUP

NOTICE: THESE ARE INFORMATIONAL SCHEMATICS ONLY. THEY DO NOT REPLACE PROFESSIONAL GUIDANCE WITHIN ANY JURISDICTION OR FOR ANY APPLICATION AN SHOULD NOT BE RELIED UPON TO DO SO

DRAWING DESCRIPTION: PIVOT 1PH SIMPLEX 230V WIRING DIAGRAM		NUMBERS ENCLOSED IN A CIRCLE (1), ARE CRITICAL TO QUALITY (CQ) ITEMS. THIS INDICATES A CRUCIAL SPECIFICATION THAT MUST BE ROUTINELY VERIFIED.		 PUMP COMPANY	
TOLERANCES: X ±.1 XX ±.03 XXX ±.010		©COPYRIGHT, 2020 : ALL RIGHTS RESERVED BY ZOELLER. James Reichardt 1/28/21 Get Befekadu 3/24/21			
DRAFTER: S.MURRAY		DATE: 05/01/20		DRAWING NUMBER: 301101 SHEET: 1 OF 1	

