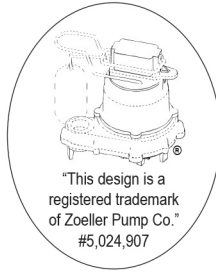


quality . service
innovation . integrity

Model 95



"The color green is a registered trademark of Zoeller Pump Co."

Features

This "Flow-Mate" model submersible pump is designed for use in residential or light commercial dewatering applications and can be used to transfer groundwater or effluent. This durable cast iron pump includes a powder coated epoxy finish to prevent corrosion and is designed to provide great heat dissipation from the motor, ensuring a long service life. As with every Zoeller pump, each one is 100% pressure-tested, submerged and run to ensure quality and reliability for years of trouble-free performance! This attention to detail is an inherent feature of every pump, making it one of the most reliable in the industry.

- For nonautomatic pumps, variable level control systems and containers of various sizes are available for longer cycles.
- Includes a stainless steel handle for easy installation and removal.
- Hermetically sealed to be watertight, dust-tight, and completely submersible.

Reserve Powered Design: For unusual conditions, a reserve safety factor is engineered into the design of every pump.

Specifications

Motor Characteristics

Motor	1/2
Voltage	115
Phase	1 Ph
Hertz	60 Hz
RPM	3450
Type	Permanent split capacitor
Insulation	Class B
Amps	10.5

Pump Characteristics

Operation	Automatic
Auto On/ Off Points	9-1/2" (24 cm) / 2-1/2" (6.4 cm)
Discharge Size	1-1/2" NPT
Solids Handling	1/2" (12 mm) spherical solids
Cord Length	15' (4.6 m)
Cord Type	UL listed, 3-wire, grounded plug
Max Head	26' (7.9 m)
Max Flow Rate	80 GPM (303 LPM)
Max Operating Temp	130° F (54° C)
Cooling	Oil filled
Motor Protection	Auto reset thermal overload

Materials Characteristics

Cap	Cast iron
Motor Housing	Cast iron
Pump Housing	Cast iron
Base	Cast iron
Upper Bearing	Sleeve bearing
Lower Bearing	Ball bearing
Mechanical Seals	Carbon and ceramic
Impeller Type	Non-clogging vortex
Impeller	Engineered thermoplastic
Hardware	Stainless steel
Motor Shaft	AISI 1215 cold rolled steel
Gasket	Neoprene



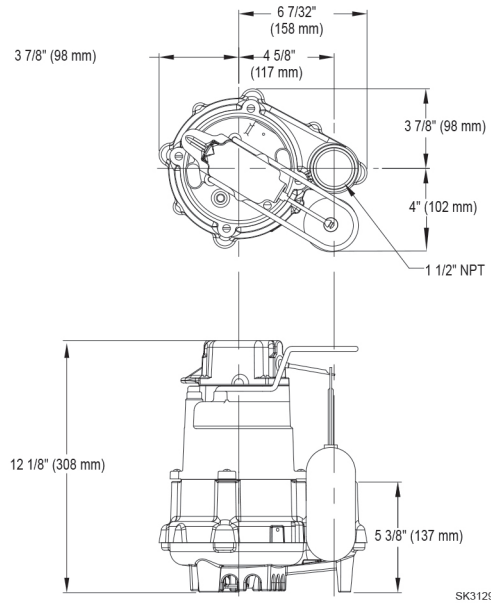
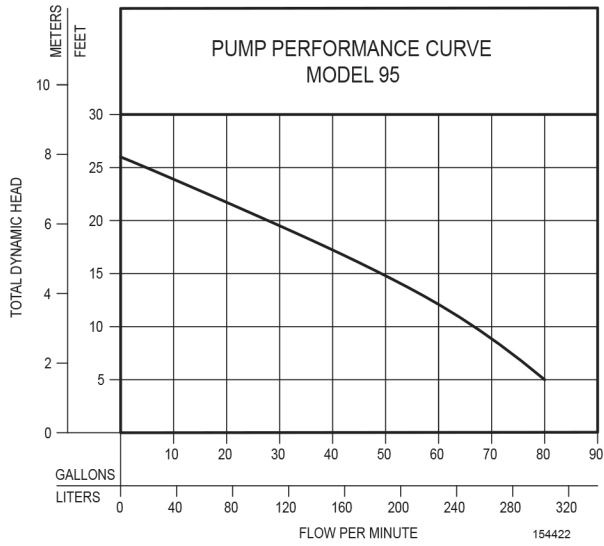
PUMP COMPANY

Zoeller Family of Water Solutions™

FM3001

Updated 0117

Model 95



Model

Model Number	Mode	Volts	Phase	Amps	HP	Hz
M95	Automatic	115	1	10.5	1/2	60

Your Peace of Mind is Our Top Priority®
 3649 Cane Run Rd | Louisville, KY 40211 USA
 +1 502-778-2731 | 1-800-928-7867 | Fax: +1 502-774-3624
www.zoeller.com