

# PRODUCT INFORMATION PACKET

Model No: 213TBFW7001  
Catalog No: I224  
7 1/2,3600,TEFC,213T,1/60/208-230  
Totally Enclosed Fan Cooled (TEFC)



Regal and Marathon are trademarks of Regal Beloit Corporation or one of its affiliated companies.  
©2018 Regal Beloit Corporation, All Rights Reserved. MC017097E



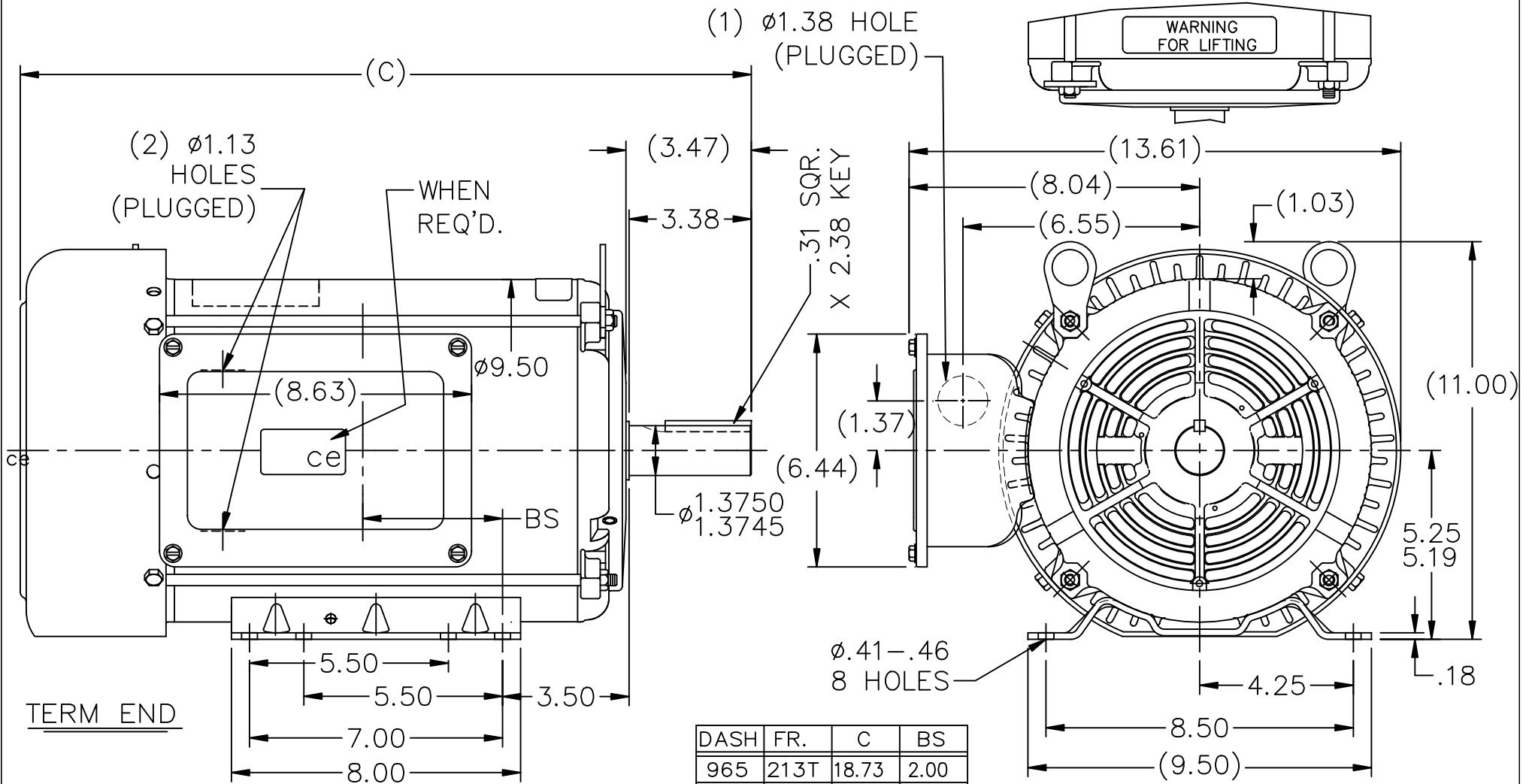
**Nameplate Specifications**

Output HP	<b>7.50 Hp</b>	Output KW	<b>5.6 kW</b>
Frequency	<b>60 Hz</b>	Voltage	<b>208-230 V</b>
Current	<b>36.0-32.0 A</b>	Speed	<b>3465 rpm</b>
Service Factor	<b>1</b>	Phase	<b>1</b>
Efficiency	<b>81.5 %</b>	Duty	<b>Continuous</b>
Insulation Class	<b>F</b>	Design Code	<b>L</b>
KVA Code	<b>G</b>	Frame	<b>213T</b>
Enclosure	<b>Totally Enclosed Fan Cooled</b>	Overload Protector	<b>No</b>
Ambient Temperature	<b>40 °C</b>	Drive End Bearing Size	<b>6307</b>
Opp Drive End Bearing Size	<b>6206</b>	UL	<b>Recognized</b>
CSA	<b>Y</b>	CE	<b>Y</b>
IP Code	<b>43</b>		

**Technical Specifications**

Electrical Type	<b>Capacitor Start Capacitor Run</b>	Starting Method	<b>Across The Line</b>
Poles	<b>2</b>	Rotation	<b>Selective Counterclockwise</b>
Mounting	<b>Rigid Base</b>	Motor Orientation	<b>Horizontal</b>
Drive End Bearing	<b>Ball</b>	Opp Drive End Bearing	<b>Ball</b>
Frame Material	<b>Rolled Steel</b>	Shaft Type	<b>T</b>
Overall Length	<b>18.73 in</b>	Frame Length	<b>9.65 in</b>
Shaft Diameter	<b>1.375 in</b>	Shaft Extension	<b>3.47 in</b>
Assembly/Box Mounting	<b>F1 Only</b>		
Outline Drawing	<b>037646-965</b>	Connection Diagram	<b>A-EE9048MF</b>

**This is an uncontrolled document once printed or downloaded and is subject to change without notice. Date Created: 10/08/2018**

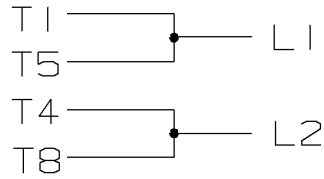


DASH	FR.	C	BS
965	213T	18.73	2.00
1115	213/215T	20.23	3.50
1240	215T	21.48	4.75

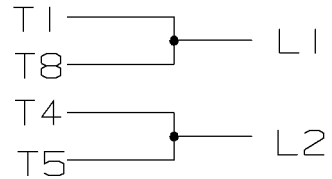
NOTES:  
1. NAMEPLATE TO BE READ FROM C'BOX SIDE OF MOTOR.

		TOLERANCES UNLESS SPECIFIED		MARATHON ELECTRIC		DRAWN	GRB 11/14/08
		DEC.	INCHES			CHK	SK 11/14/08
		.X	$\pm .1$	TITLE OUTLINE 210T FR. TEFC - STD 1 $\phi$		APPD	
		.XX	$\pm .03$			SCALE 1=4	
		.XXX	$\pm .005$			REF SS86677	
		.XXXX	$\pm .0005$			FMF	
01	ADD CE DECAL PER ISAAC 11-0604	LST	2/11/11	CHK	ANG	PREV	
NO.	REVISION	BY & DATE	CHK	ANG	$\pm 7'30''$	FINISH	
THIS DRAWING IN DESIGN AND DETAIL IS OUR PROPERTY AND MUST NOT BE USED EXCEPT IN CONNECTION WITH OUR WORK ALL RIGHTS OF DESIGN AND INVENTION ARE RESERVED THIS IS AN ELECTRONICALLY GENERATED DOCUMENT - DO NOT SCALE THIS PRINT				RFP		CAD FILE	037646
				DIST	LB	SIZE	A
						DRAWING NO.	037646
						PAGE	1 OF 1
						REV.	01

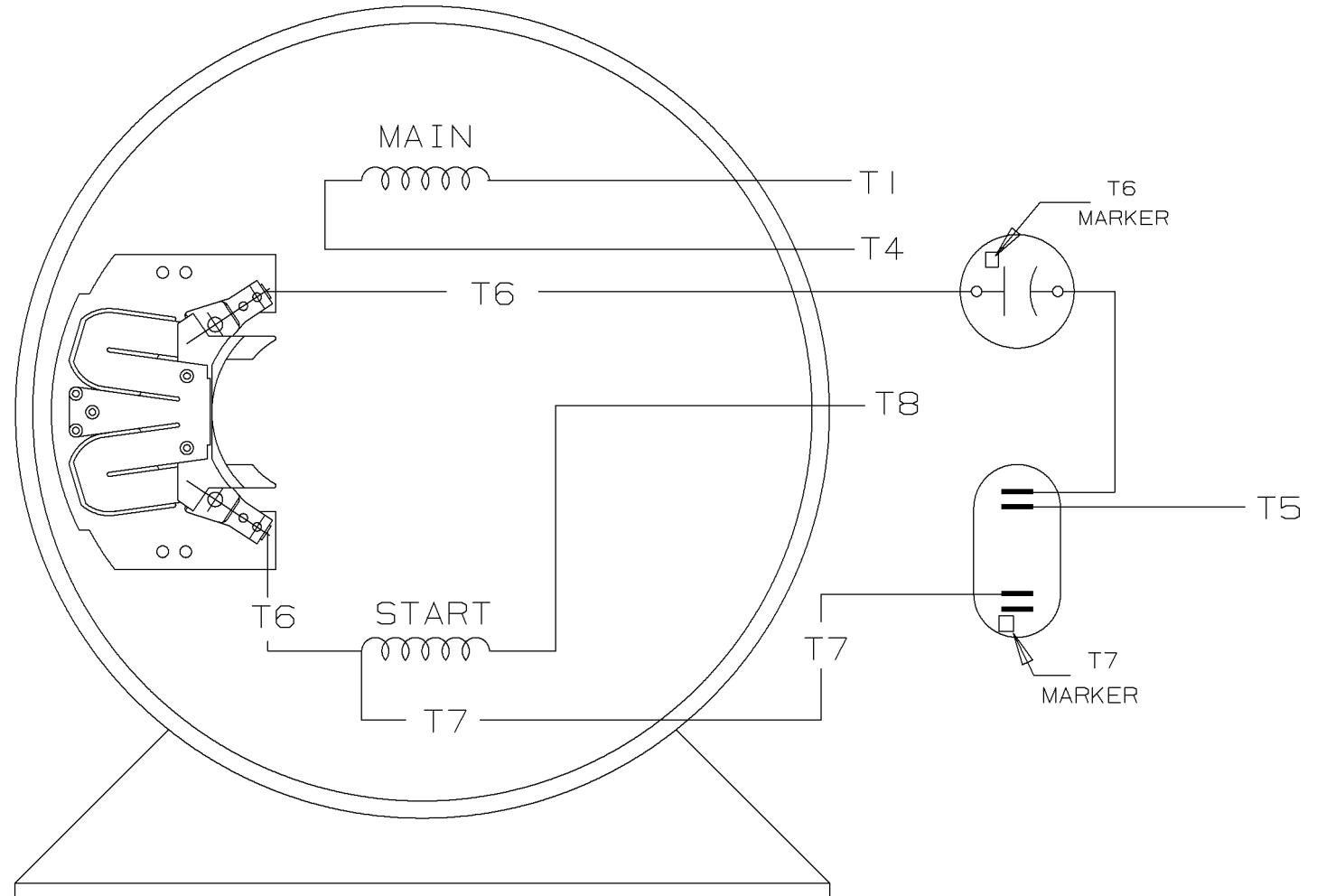
C.W. ROTATION



C.C.W. ROTATION



SINGLE VOLTAGE  
CAPACITOR START  
CAPACITOR RUN  
REVERSIBLE



VIEW OF TERMINAL END

				✓ MAX. SURFACE ROUGHNESS UNLESS NOTED OTHERWISE	UNLESS OTHERWISE SPECIFIED DIMENSIONS ARE IN INCHES TOL. ON XX±    XXX±.005    XXXX±.0005    ANGLES±		
				MATL SPEC	180 - 210 SWITCH	DRAWN BY	GK 11-01-1986
				FINISH	MARATHON ELECTRIC	CHKD BY	ML 11-01-1986
I	11-04-1986	NEW DRAWING	CN 7664C	GK	REFERENCE DRW.	WAUSAU, WISCONSIN 54401	APPD BY FG 11-04-1986
REV	DATE	CHANGE	NAME	PART NAME CONNECTION DIAGRAM			DRWG NO A-EE9048MF

SHOP BOOK

PURCHASED

DISTRIBUTION - WA - LB - WP - LM - BR

CADD FILE NO.

EE9048MF



**MARATHON ELECTRIC CORPORATION**

TYPICAL PERFORMANCE CURVE for AC MOTOR

Customer CATALOG

Curve at

230

Volts

HP 7.50

PHASE 1

Model No 213TBFW7001

60

HZ

VOLTS 208-230

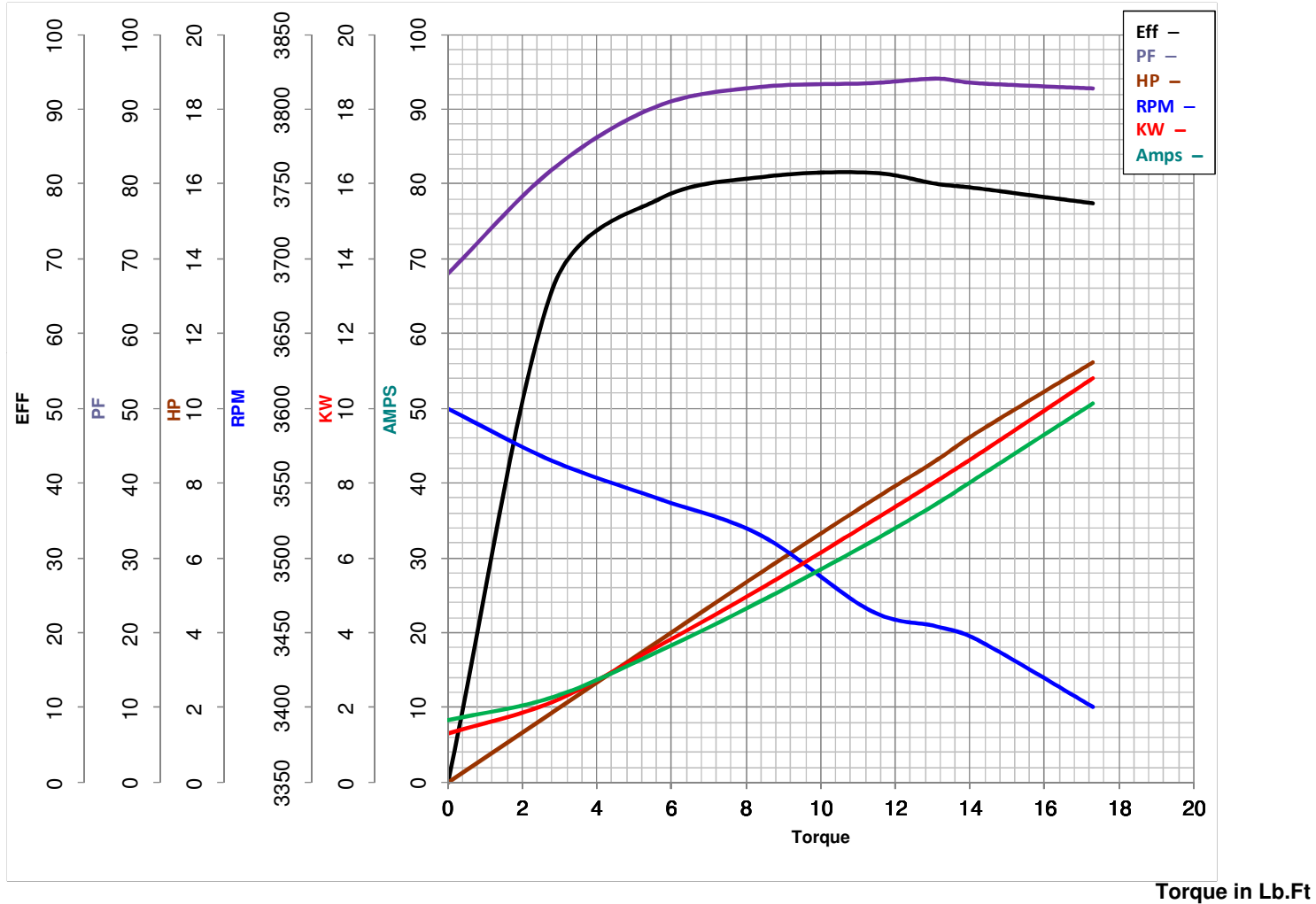
7.5

HP

Catalog No I224

HZ 60

RPM 3465



Torque in Lb.Ft

FL TORQUE 11.3 Lb.Ft  
 BD TORQUE 25.3 Lb.Ft  
 LR TORQUE 18.7 Lb.Ft

FL AMPS 36-32  
 PU TORQUE 22.5 Lb.Ft  
 LR AMPS 189

WINDING BK10269-1 Prepared By SRIKANTH

Date 6/20/2017