

PRODUCT INFORMATION PACKET

Model No: 213TBFW7026
Catalog No: I216
5,1800,TEFC,213T,1/60/208-230
Totally Enclosed Fan Cooled (TEFC)



Regal and Marathon are trademarks of Regal Beloit Corporation or one of its affiliated companies.
©2018 Regal Beloit Corporation, All Rights Reserved. MC017097E



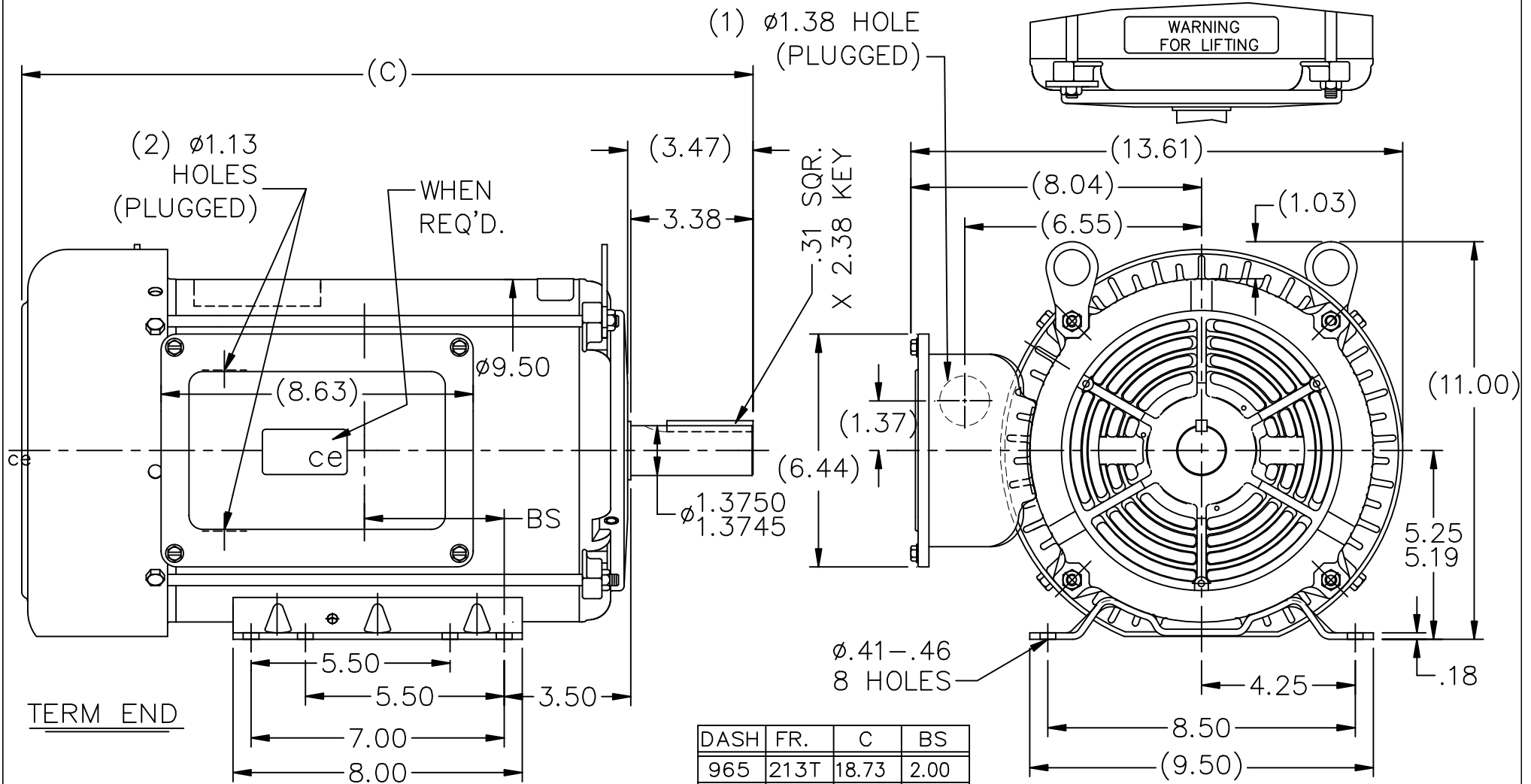
Nameplate Specifications

| | | | |
|----------------------------|------------------------------------|------------------------|-------------------|
| Output HP | 5 Hp | Output KW | 3.7 kW |
| Frequency | 60 Hz | Voltage | 208-230 V |
| Current | 24.5-22.0 A | Speed | 1749 rpm |
| Service Factor | 1 | Phase | 1 |
| Efficiency | 82.5 % | Duty | Continuous |
| Insulation Class | B | Design Code | L |
| KVA Code | G | Frame | 213T |
| Enclosure | Totally Enclosed Fan Cooled | Overload Protector | No |
| Ambient Temperature | 40 °C | Drive End Bearing Size | 6307 |
| Opp Drive End Bearing Size | 6206 | UL | Recognized |
| CSA | Y | CE | Y |
| IP Code | 43 | | |

Technical Specifications

| | | | |
|-----------------------|--------------------------------------|-----------------------|-----------------------------------|
| Electrical Type | Capacitor Start Capacitor Run | Starting Method | Across The Line |
| Poles | 4 | Rotation | Selective Counterclockwise |
| Mounting | Rigid Base | Motor Orientation | Horizontal |
| Drive End Bearing | Ball | Opp Drive End Bearing | Ball |
| Frame Material | Rolled Steel | Shaft Type | T |
| Overall Length | 18.73 in | Frame Length | 9.65 in |
| Shaft Diameter | 1.375 in | Shaft Extension | 3.47 in |
| Assembly/Box Mounting | F1/F2 Capable | | |
| Outline Drawing | 037646-965 | Connection Diagram | A-EE9048MF |

This is an uncontrolled document once printed or downloaded and is subject to change without notice. Date Created: 10/08/2018



- NOTES:
1. NAMEPLATE TO BE READ FROM C'BOX SIDE OF MOTOR.

| DASH | FR. | C | BS |
|------|----------|-------|------|
| 965 | 213T | 18.73 | 2.00 |
| 1115 | 213/215T | 20.23 | 3.50 |
| 1240 | 215T | 21.48 | 4.75 |

TOLERANCES UNLESS SPECIFIED

| DEC. | INCHES |
|---------|--------------|
| .X | $\pm .1$ |
| .XX | $\pm .03$ |
| .XXX | $\pm .005$ |
| .XXXX | $\pm .0005$ |
| CHK ANG | $\pm 7'30''$ |



TITLE OUTLINE
210T FR. TEFC - STD 1 ϕ

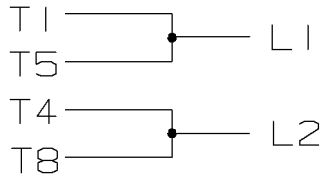
| | |
|-------|--------------|
| DRAWN | GRB 11/14/08 |
| CHK | SK 11/14/08 |
| APPD | |
| SCALE | 1=4 |
| REF | SS86677 |
| FMF | |
| PREV | |

| NO. | REVISION | BY & DATE |
|-----|--------------------------------|-------------|
| 01 | ADD CE DECAL PER ISAAC 11-0604 | LST 2/11/11 |

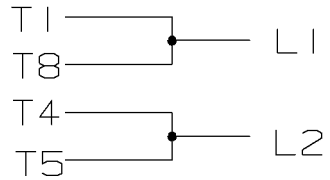
THIS DRAWING IN DESIGN AND DETAIL IS OUR PROPERTY AND MUST NOT BE USED EXCEPT IN CONNECTION WITH OUR WORK ALL RIGHTS OF DESIGN AND INVENTION ARE RESERVED THIS IS AN ELECTRONICALLY GENERATED DOCUMENT - DO NOT SCALE THIS PRINT

| | | | | | |
|---------|-----------------|--------|--------------------|-------------|---------|
| RFP | CAD FILE 037646 | SIZE A | DRAWING NO. 037646 | PAGE 1 OF 1 | REV. 01 |
| DIST LB | | | | | |

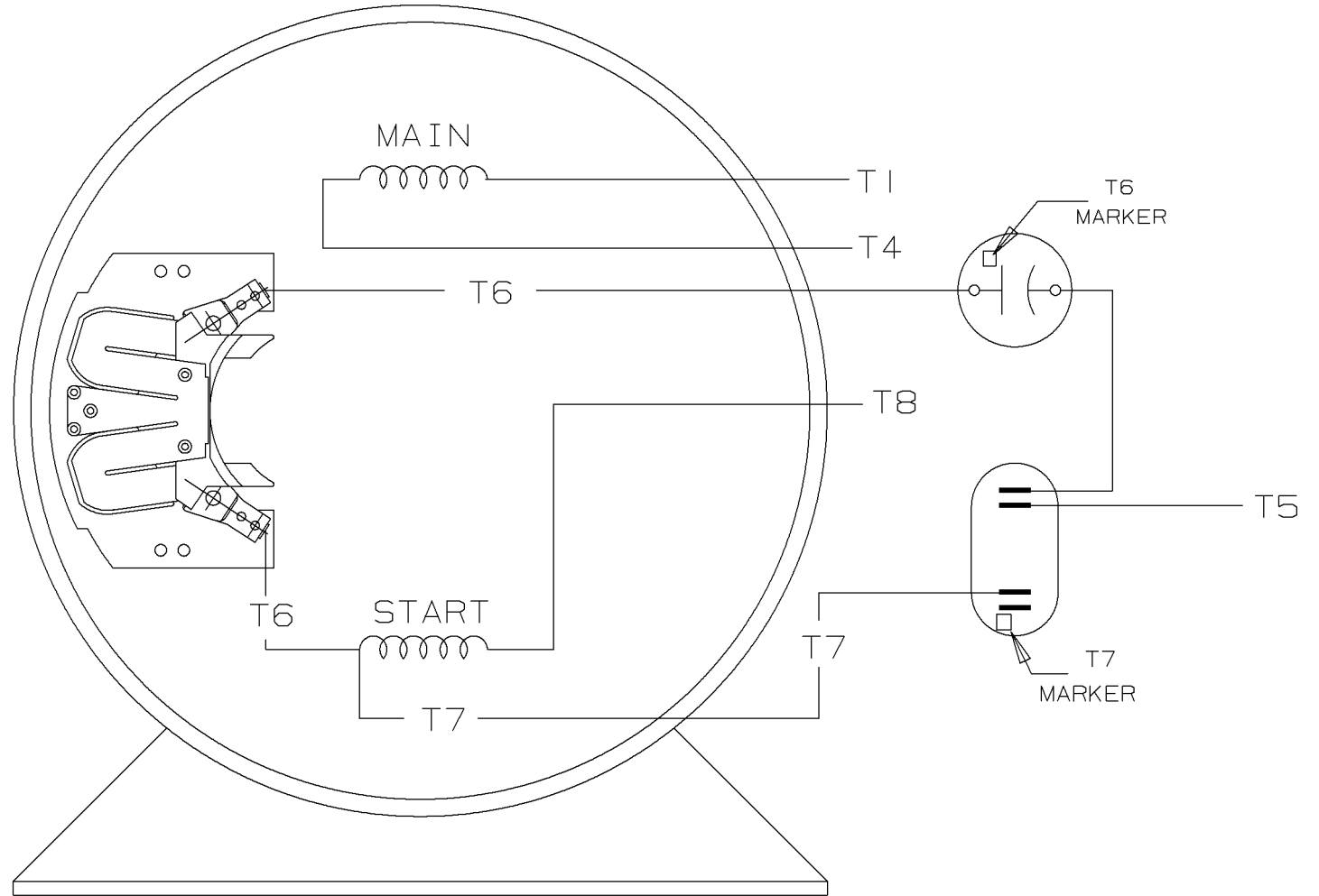
C.W. ROTATION



C.C.W. ROTATION



SINGLE VOLTAGE
CAPACITOR START
CAPACITOR RUN
REVERSIBLE



VIEW OF TERMINAL END

| | | | | | | | |
|-----|------------|-------------|----------|---|---|-------------------------|------------------------|
| | | | | ✓ MAX. SURFACE ROUGHNESS UNLESS NOTED OTHERWISE | UNLESS OTHERWISE SPECIFIED DIMENSIONS ARE IN INCHES TOL. ON XX± XXX±.005 XXXX±.0005 ANGLES± | | |
| | | | | MATL SPEC | 180 - 210 SWITCH | | DRAWN BY GK 11-01-1986 |
| | | | | FINISH | MARATHON ELECTRIC | | CHKD BY ML 11-01-1986 |
| 1 | 11-04-1986 | NEW DRAWING | CN 7664C | GK | REFERENCE DRW. | WAUSAU, WISCONSIN 54401 | APPD BY FG 11-04-1986 |
| REV | DATE | CHANGE | | NAME | PART NAME CONNECTION DIAGRAM | | DRWG NO A-EE9048MF |

SHOP BOOK

PURCHASED

DISTRIBUTION - WA - LB - WP - LM - BR

CADD FILE NO.

EE9048MF

