

PRODUCT INFORMATION PACKET

Model No: 213TTDC6003
Catalog No: U283
10,3600,DP,213T,3/60/575
Open Drip Proof (ODP)



Regal and Marathon are trademarks of Regal Beloit Corporation or one of its affiliated companies.
©2018 Regal Beloit Corporation, All Rights Reserved. MC017097E





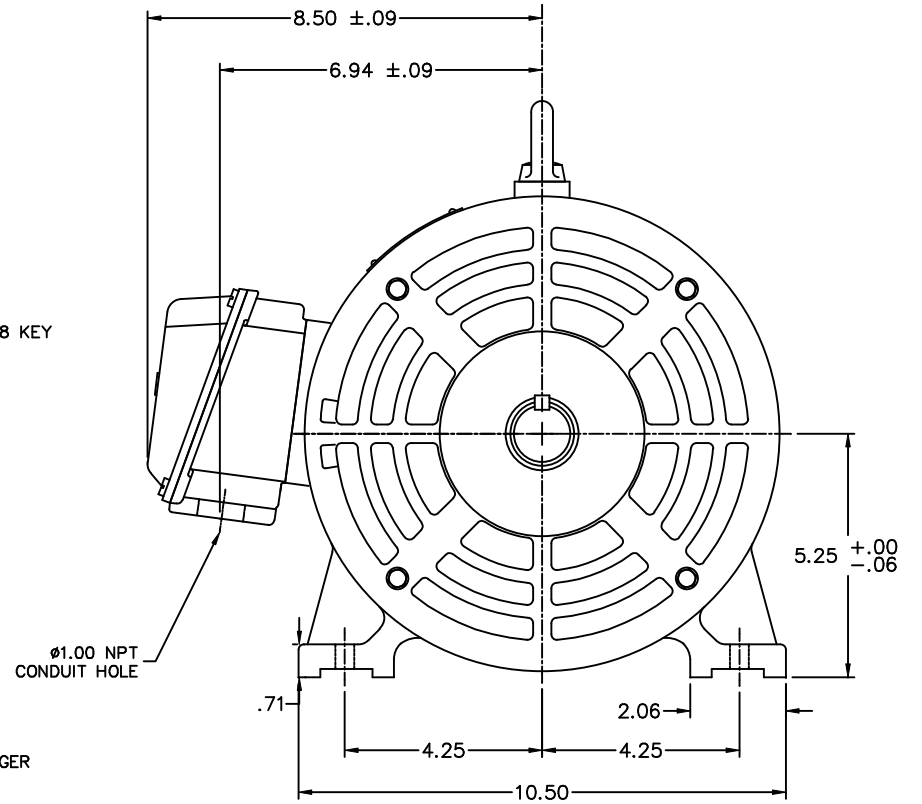
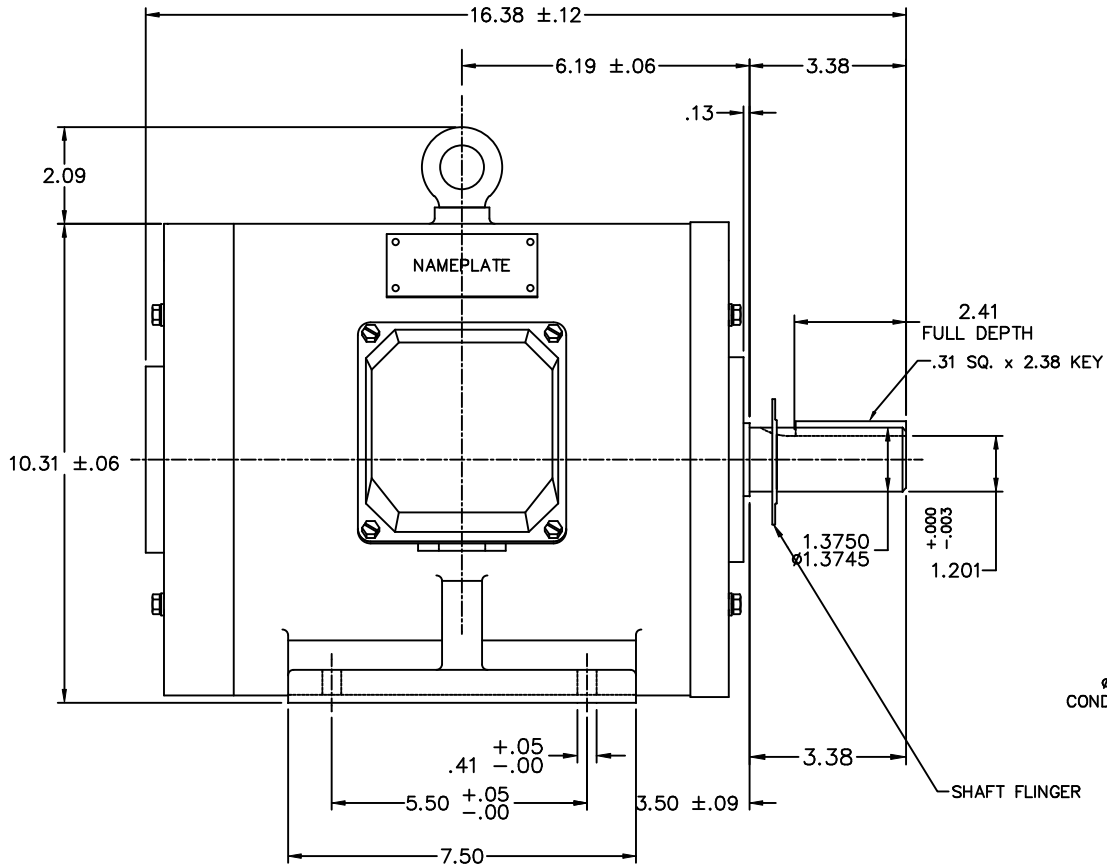
Nameplate Specifications

Output HP	10 Hp	Output KW	7.5 kW
Frequency	60 Hz	Voltage	575 V
Current	9.5 A	Speed	3525 rpm
Service Factor	1.15	Phase	3
Efficiency	90.2 %	Duty	Continuous
Insulation Class	F	Design Code	B
KVA Code	H	Frame	213T
Enclosure	Drip Proof	Overload Protector	No
Ambient Temperature	40 °C	Drive End Bearing Size	6308
Opp Drive End Bearing Size	6208	UL	Recognized
CSA	Y	CE	Y
IP Code	22		

Technical Specifications

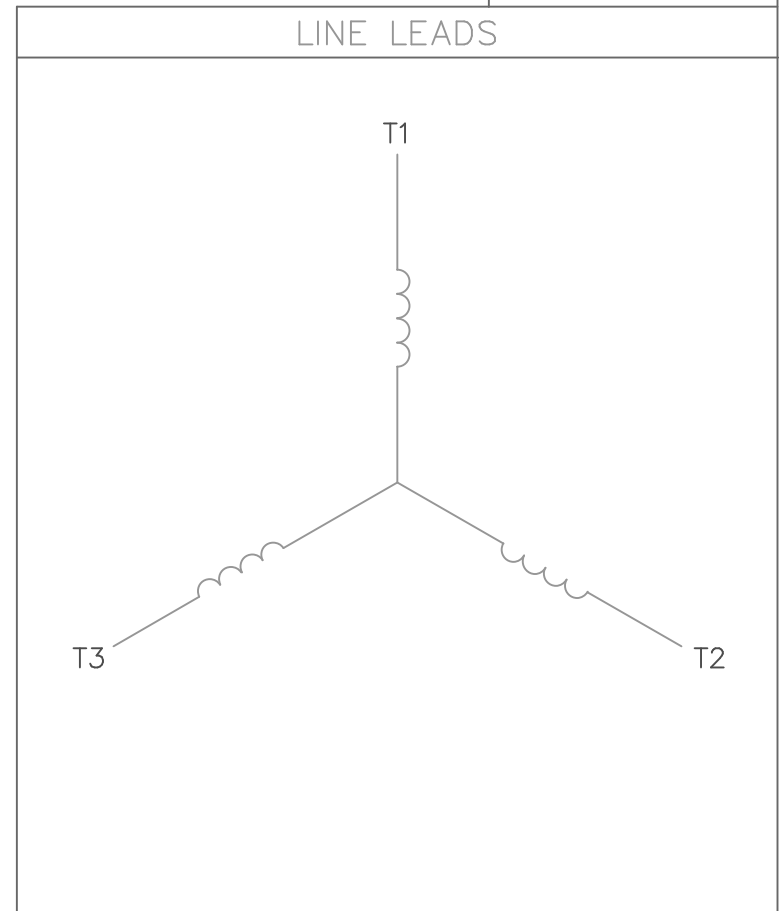
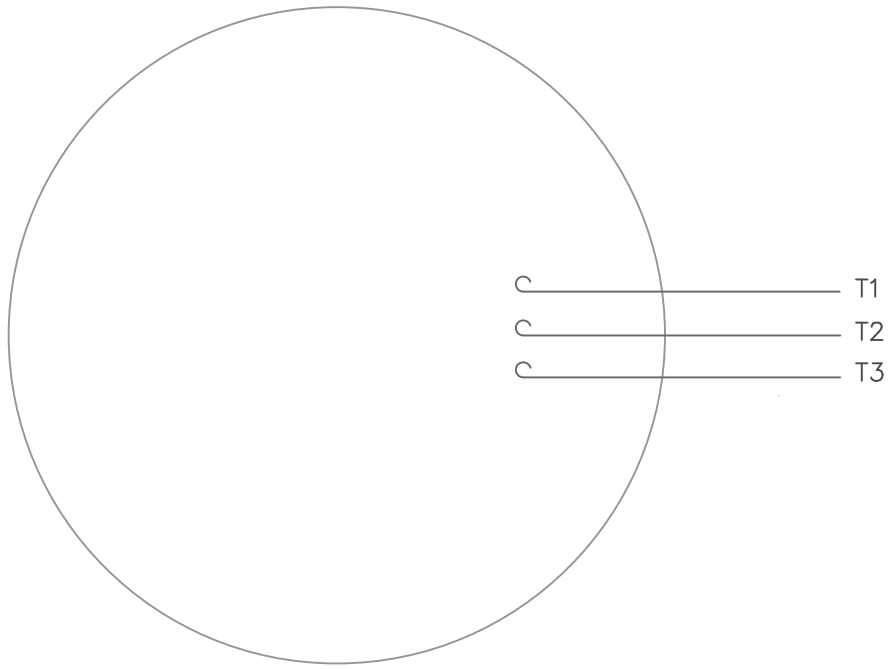
Electrical Type	Squirrel Cage Inverter Rated	Starting Method	Line Or Inverter
Poles	2	Rotation	Reversible
Mounting	Rigid base	Motor Orientation	Horizontal
Drive End Bearing	Ball	Opp Drive End Bearing	Ball
Frame Material	Cast Iron	Shaft Type	T
Overall Length	16.38 in	Shaft Diameter	1.375 in
Shaft Extension	3.38 in	Assembly/Box Mounting	F1/F2 Capable
Outline Drawing	169549.60ME	Connection Diagram	005102.01ME

This is an uncontrolled document once printed or downloaded and is subject to change without notice. Date Created: 06/29/2018




		TOLERANCES UNLESS SPECIFIED			DRAWN CTO 04-23-2002
		DEC.	INCHES		CHK ML 05-20-2002
		.X	±.1		APPD SB 05-21-2002
		.XX	±.03	TITLE	SCALE 1=1
		.XXX	±.005	ODP, RIGID MOUNT, NEW CON-BOX	
1	NEW DRAWING	CTO 5/21/02	.XXXX ±.0005	MAT'L	REF 169515
NO.	REVISION	BY & DATE	CHK ANG ±1/2"	FINISH	FMF
THIS DRAWING IN DESIGN AND DETAIL IS OUR PROPERTY AND MUST NOT BE USED EXCEPT IN CONNECTION WITH OUR WORK ALL RIGHTS OF DESIGN AND INVENTION ARE RESERVED THIS IS AN ELECTRONICALLY GENERATED DOCUMENT - DO NOT SCALE THIS PRINT				RFP	PREV
				CAD FILE	16954960me
				SIZE	DRAWING NO.
				B	169549-60ME
					REV. 1

VIEW FROM OUTSIDE OF MOTOR AT SWITCH END.



CONNECT LEADS AS FOLLOWS
FOR FOUR CONDUCTOR CORD ()

CORD	L1 (RED)	L2 (WHITE)	L3 (BLACK)	(GREEN)
MOTOR	T1	T2	T3	GROUND

				TOLERANCES UNLESS SPECIFIED				DRAWN RDW 5/1/02		
				DEC.	INCHES			CHK		
				.X	±.1			APPD		
				.XX	±.01			SCALE 1=1		
				.XXX	±.005			REF		
				.XXXX	±.0005	MAT'L. DECAL - 004169		FMF		
NO.	REVISION	BY & DATE	CHK	ANG	±1/2'	FINISH		PREV		
THIS DRAWING IN DESIGN AND DETAIL IS OUR PROPERTY AND MUST NOT BE USED EXCEPT IN CONNECTION WITH OUR WORK ALL RIGHTS OF DESIGN AND INVENTION ARE RESERVED THIS IS AN ELECTRONICALLY GENERATED DOCUMENT - DO NOT SCALE THIS PRINT				RFP	5/1/02	CAD FILE 00510201ME		SIZE	DRAWING NO.	REV.
				DIST				A	005102-01ME	

Data Sheet

213TTDC6003



Submission
Data @ 575 V

Date: 6/20/2017
 Customer:
 Attention:
 Submitted by: FAREEDA DUDEKULA

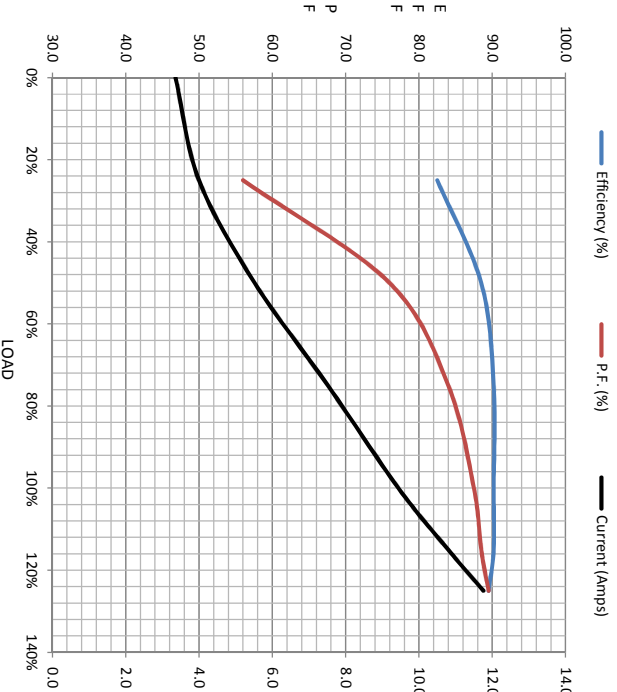
Load	Motor Load Data							
	0%	25%	50%	75%	100%	115%	125%	LR
Current (Amps)	3.4	4.0	5.5	7.5	9.4	10.8	11.8	64.8
Torque (ft-lb)	0.00	3.7	7.4	11.2	15.0	17.3	18.7	30.0
RPM	3600	3585	3565	3545	3530	3515	3505	0
P.F. (%)	9.0	82.5	88.5	90.2	90.2	89.5	89.5	45.0

Motor Speed Data

	LR	Pull-Up	BD	Rated	Idle
Speed (rpm)	0	900	3100	3530	3600
Current (Amps)	64.8	62.4	43.2	9.4	3.4
Torque (ft-lb)	30.0	25.0	55.0	15.0	0.00

Information Block

HP	10.0			
Sync. RPM	3600			
Frame	213			
Enclosure	DP			
Construction	TDC			
Voltage	575 V			
Frequency	60 Hz			
Design	B			
LR Code letter	H			
Service Factor	1.15			
Temp Rise @ FL	50 °C			
Duty	CONT			
Ambient	40 °C			
Elevation	1,000 feet			
Rotor/Shaft wk ^e	0.00 Lb-Fe			
Rel Wdg	T10702006 NONE			
Sound Pressure @ 1M	53 dBA			
VFD Rating	CONSTANT 10:1			
Outline Dwg	169549.60ME			
Conn. Diag	5102.01			
Additional Specifications:				
EQUIV CKT (OHMS / PHASE)				
R1	R2	X1	X2	Xm
0.00000	0.00000	0.00000	0.00000	0.00000



Speed - Torque Curve

