

# PRODUCT INFORMATION PACKET

**marathon**<sup>®</sup>  
Motors

Model No: 213TTFBD6078  
Catalog No: GT1211A  
3,1200,TEFC,213TC,3/60/230/460  
Totally Enclosed Fan Cooled (TEFC)



Regal and Marathon are trademarks of Regal Beloit Corporation or one of its affiliated companies.  
©2018 Regal Beloit Corporation, All Rights Reserved. MC017097E

**REGAL**<sup>®</sup>

**Nameplate Specifications**

Output HP	<b>3 Hp</b>	Output KW	<b>2.2 kW</b>
Frequency	<b>60 Hz</b>	Voltage	<b>230/460 V</b>
Current	<b>8.6/4.3 A</b>	Speed	<b>1185 rpm</b>
Service Factor	<b>1.15</b>	Phase	<b>3</b>
Efficiency	<b>89.5 %</b>	Duty	<b>Continuous</b>
Insulation Class	<b>F</b>	Design Code	<b>B</b>
KVA Code	<b>J</b>	Frame	<b>213TC</b>
Enclosure	<b>Totally Enclosed Fan Cooled</b>	Overload Protector	<b>No</b>
Ambient Temperature	<b>40 °C</b>	Drive End Bearing Size	<b>6307</b>
Opp Drive End Bearing Size	<b>6206</b>	UL	<b>Recognized</b>
CSA	<b>Y</b>	CE	<b>Y</b>
IP Code	<b>43</b>		

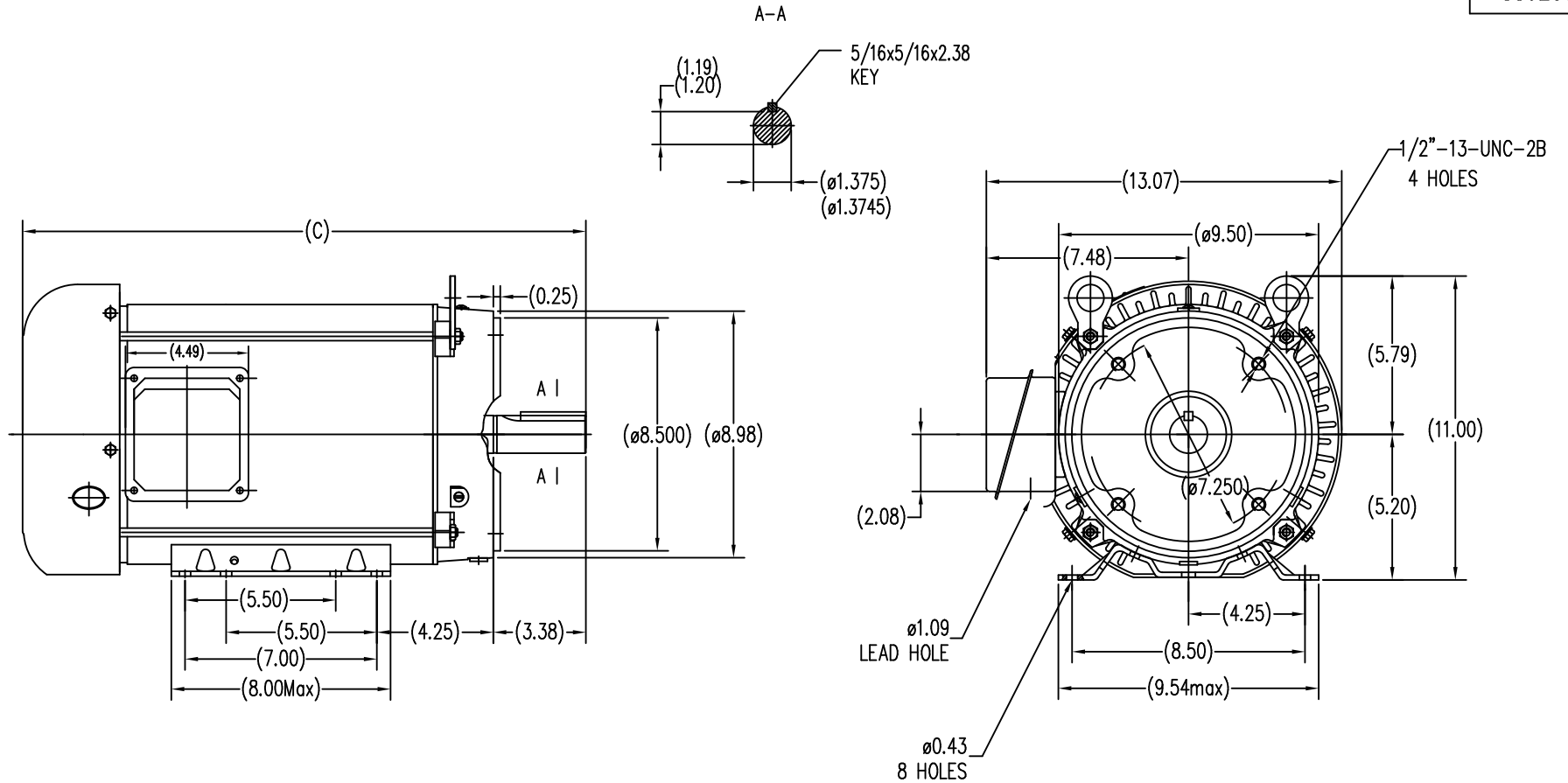
**Technical Specifications**

Electrical Type	<b>Squirrel Cage Inverter Rated</b>	Starting Method	<b>Line Or Inverter</b>
Poles	<b>6</b>	Rotation	<b>Reversible</b>
Mounting	<b>Rigid Base</b>	Motor Orientation	<b>Horizontal</b>
Drive End Bearing	<b>Ball</b>	Opp Drive End Bearing	<b>Ball</b>
Frame Material	<b>Rolled Steel</b>	Shaft Type	<b>T</b>
Overall Length	<b>19.10 in</b>	Frame Length	<b>9.65 in</b>
Shaft Diameter	<b>1.375 in</b>	Shaft Extension	<b>3.38 in</b>
Assembly/Box Mounting	<b>F1/F2 Capable</b>		
Outline Drawing	<b>SS620688-213TC</b>	Connection Diagram	<b>EE7308</b>

**This is an uncontrolled document once printed or downloaded and is subject to change without notice. Date Created: 10/08/2018**

# Uncontrolled Copy

SS620688



213TC	19.1
215TC	20.7
FRAME	C

NO.		REVISION	BY & DATE	CHK	ANG	±1/2"	FINISH	CAD FILE		SS620688	SIZE	DRAWING NO.	REV.
THIS DRAWING IN DESIGN AND DETAIL IS OUR PROPERTY AND MUST NOT BE USED EXCEPT IN CONNECTION WITH OUR WORK ALL RIGHTS OF DESIGN AND INVENTION ARE RESERVED THIS IS AN ELECTRONICALLY GENERATED DOCUMENT - DO NOT SCALE THIS PRINT							RFP	CAD FILE		SS620688	B	SS620688	2
							DIST						

EE7308

THREE PHASE  
DUAL VOLTAGE MOTOR



VIEW OF TERMINAL END

REF.  
WINDING DIAGRAM

T8Y, T2Y, T2BL, T4BX, T2EC, T2G  
T6BZ, T2B, T6BL, T4AV, T6B, T4B

OPTIONAL CORD  
CONNECTION

L1 — WHITE  
L2 — RED  
L3 — BLACK

NO.	REVISION	BY & DATE	CHK	ANG	TOLERANCES UNLESS SPECIFIED		FINISH	DRAWN RM 11/20/1990				
					DEC.	INCHES						
5	CHG TO REGAL LOGO	SL 09/10/2015	AB					CHK ML 11/21/1990				
4	REVISED IEC NOTATIONS	MSG 11/15/2011	CMN	.X	±.1			APPD SAS 04/24/2003				
3	ADDED IEC NOTATIONS... (U1), (V1) ETC. MU95194	MSG 5/10/2010	MJS	.XX	±.02			SCALE 1=1				
2	ADDED THE OPTIONAL CORD CONNECTION MU46318	RDH 04/24/2003	DRS	.XXX	±.005		TITLE CONNECTION DIAGRAM 3Ø - DUAL VOLTAGE MOTOR	REF				
1	REDRAWN	RM 11/20/1990		.XXXX	±.0005		MAT'L.	FMF				
					±7'30"			PREV				
THIS DRAWING IN DESIGN AND DETAIL IS OUR PROPERTY AND MUST NOT BE USED EXCEPT IN CONNECTION WITH OUR WORK ALL RIGHTS OF DESIGN AND INVENTION ARE RESERVED THIS IS AN ELECTRONICALLY GENERATED DOCUMENT - DO NOT SCALE THIS PRINT							RFP	CAD FILE ee7308	SIZE A	DRAWING NO. EE7308	PAGE OF 5	REV. 5
							DIST WP					





**P.O. BOX 8003  
WAUSAU, WI 54401-8003  
PH. 715-675-3311**

**CERTIFICATION DATA SHEET**

**CUSTOMER:** CUSTOMER PO #:  
**ORDER #:** MODEL #: 213TTFBD6078 AA  
**CONN. DIAGRAM:** EE7308 CUSTOMER PART #:  
**OUTLINE:** SS620688 MOUNTING: F1/F2 CAPABLE  
**WINDING #:** HE31326018 2

**TYPICAL MOTOR PERFORMANCE DATA**

HP	KW	SYNC. RPM	F.L. RPM	FRAME	ENCLOSURE	KVA CODE	DESIGN	
382	2.24&1.49	1200	1185&987	213TC	TEFC	J	B	
PH	Hz	VOLTS	AMPS	START TYPE	DUTY	INSL	S.F.	AMB°C
3	60/50	230/460&190/380	8.6/4.3&7.4/3.7	LINE OR INVERTER	CONTINUOUS	F7	1.15/1.15	40

<b>FULL LOAD EFF:</b>	89.5&89	<b>3/4 LOAD EFF:</b>	89	<b>1/2 LOAD EFF:</b>	87.3	<b>GTD. EFF</b>	88.5	<b>ELEC. TYPE</b>
<b>FULL LOAD PF:</b>	73&68.5	<b>3/4 LOAD PF:</b>	66.2	<b>1/2 LOAD PF:</b>	54.4	<b>SQ CAGE INV RATED</b>		

<b>F.L. TORQUE</b>	<b>LOCKED ROTOR AMPS</b>	<b>L.R. TORQUE</b>	<b>B.D. TORQUE</b>	<b>F.L. RISE°C</b>
13.3 LB-FT	70 / 35	28 LB-FT 211 %	37 LB-FT 278 %	50

<b>SOUND PRESSURE @ 3 FT.</b>	<b>SOUND POWER</b>	<b>ROTOR WK^2</b>	<b>MAX. WK^2</b>	<b>SAFE STALL TIME</b>	<b>STARTS / HOUR</b>	<b>APPROX. MOTOR WGT</b>
55 DBA	65 DBA	1 LB-FT^2	90 LB-FT^2	25 SEC.	2	200 LBS.

\*\*\* SUPPLEMENTAL INFORMATION \*\*\*

DE BRACKET TYPE	ODE BRACKET TYPE	MOUNT TYPE	ORIENTATION	SEVERE DUTY	HAZARDOUS LOCATION	DRIP COVER	SCREENS	PAINT
C-FACE	STANDARD	RIGID	HORIZONTAL	FALSE	NONE	FALSE	NONE	BLUE (ENAMEL)

BEARINGS		GREASE	SHAFT TYPE	SPECIAL DE	SPECIAL ODE	SHAFT MATERIAL	FRAME MATERIAL
DE BALL	ODE BALL	POLYREX EM	T	NONE	NONE	1045 HOT ROLLED (C-204)	ROLLED STEEL
6307	6206						

THERMO-PROTECTORS				THERMISTORS			SPACE HEATERS	
THERMOSTATS	PROTECTORS	WDG RTDS	BRG RTDS	NONE	FALSE	NONE	NONE	VOLTS
NONE	NOT	NONE	NONE					

<b>* INVERTER</b>	TORQUE: CONSTANT 20:1/VARIABLE 20:1
<b>N INV. HP SPEED RANGE:</b>	NONE
<b>O ENCODER:</b>	NONE
<b>T NONE</b>	NONE
<b>E NONE</b>	PPR
<b>S BRAKE:</b>	NONE
<b>* NONE</b>	P/N NONE
	NONE
	FT-LB NONE V NONE HZ

**PREPARED BY:** Anusha Muthyala  
**DATE:** 05/04/2018 02:22:55 AM  
**FORM 3531 REV.3 02/07/99**  
 \*\* Subject to change without notice.

**MARATHON ELECTRIC CORPORATION**

TYPICAL PERFORMANCE CURVE for AC MOTOR

Customer

Curve at

460

Volts

HP 3&2

PHASE 3

Model No 213TTFB6078

60

HZ

VOLTS 230/460&190/380

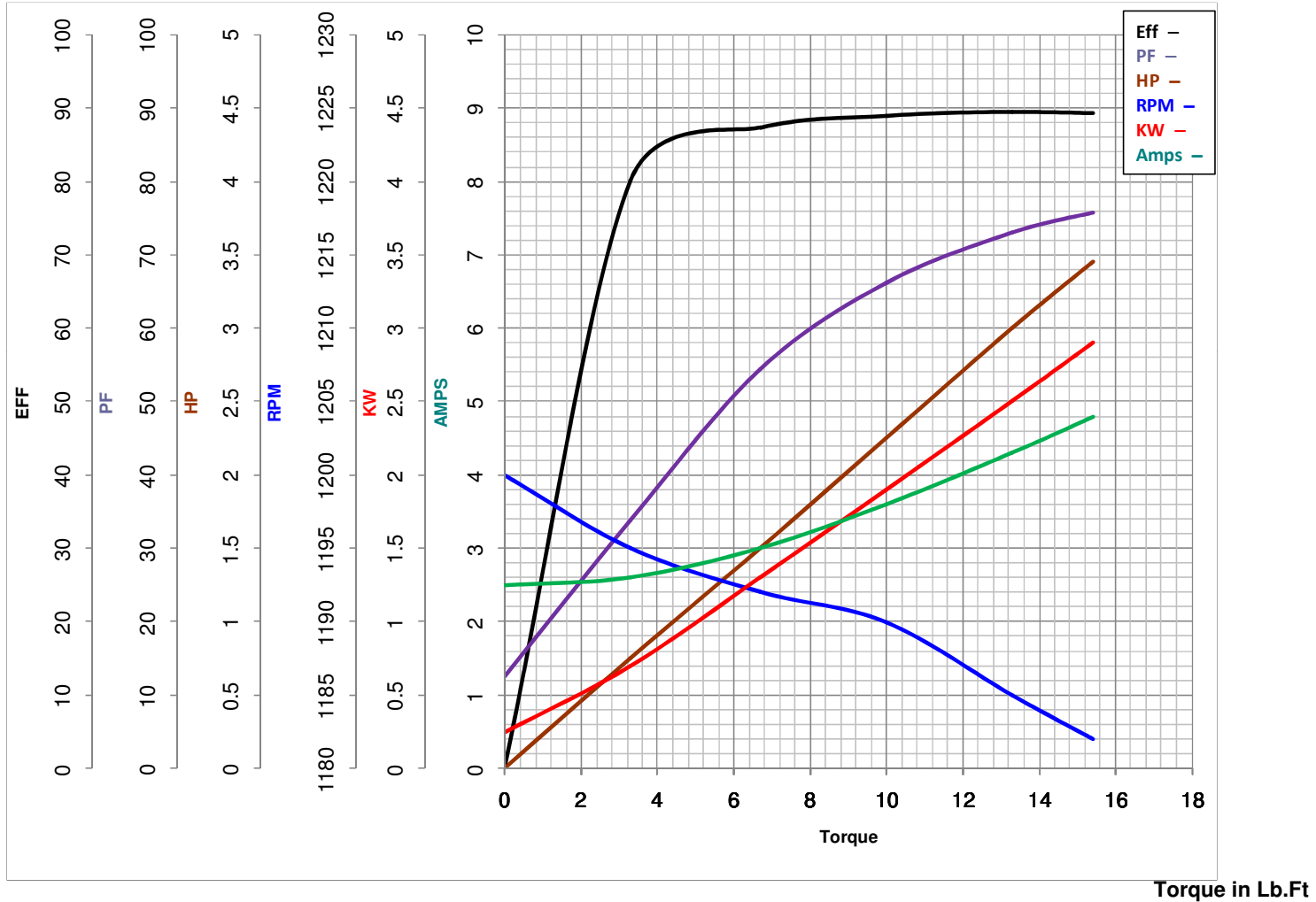
3

HP

Catalog No GT1211A

HZ 60&50

RPM 1185&987



Torque in Lb.Ft

FL TORQUE 13.3 Lb.Ft  
 BD TORQUE 37.0 Lb.Ft  
 LR TORQUE 28 Lb.Ft

FL AMPS 8.6/4.3  
 PU TORQUE 24.0 Lb.Ft  
 LR AMPS 35

WINDING HE31326018-2 Prepared By ANUSHA M

Date 5/4/2018