

PRODUCT INFORMATION PACKET

marathon[®]
Motors

Model No: 213TTFCD6030
Catalog No: GT1116A
7.5,1800,TEFC,213T,3/60/575
Totally Enclosed Fan Cooled (TEFC)



Regal and Marathon are trademarks of Regal Beloit Corporation or one of its affiliated companies.
©2018 Regal Beloit Corporation, All Rights Reserved. MC017097E

REGAL[®]



Nameplate Specifications

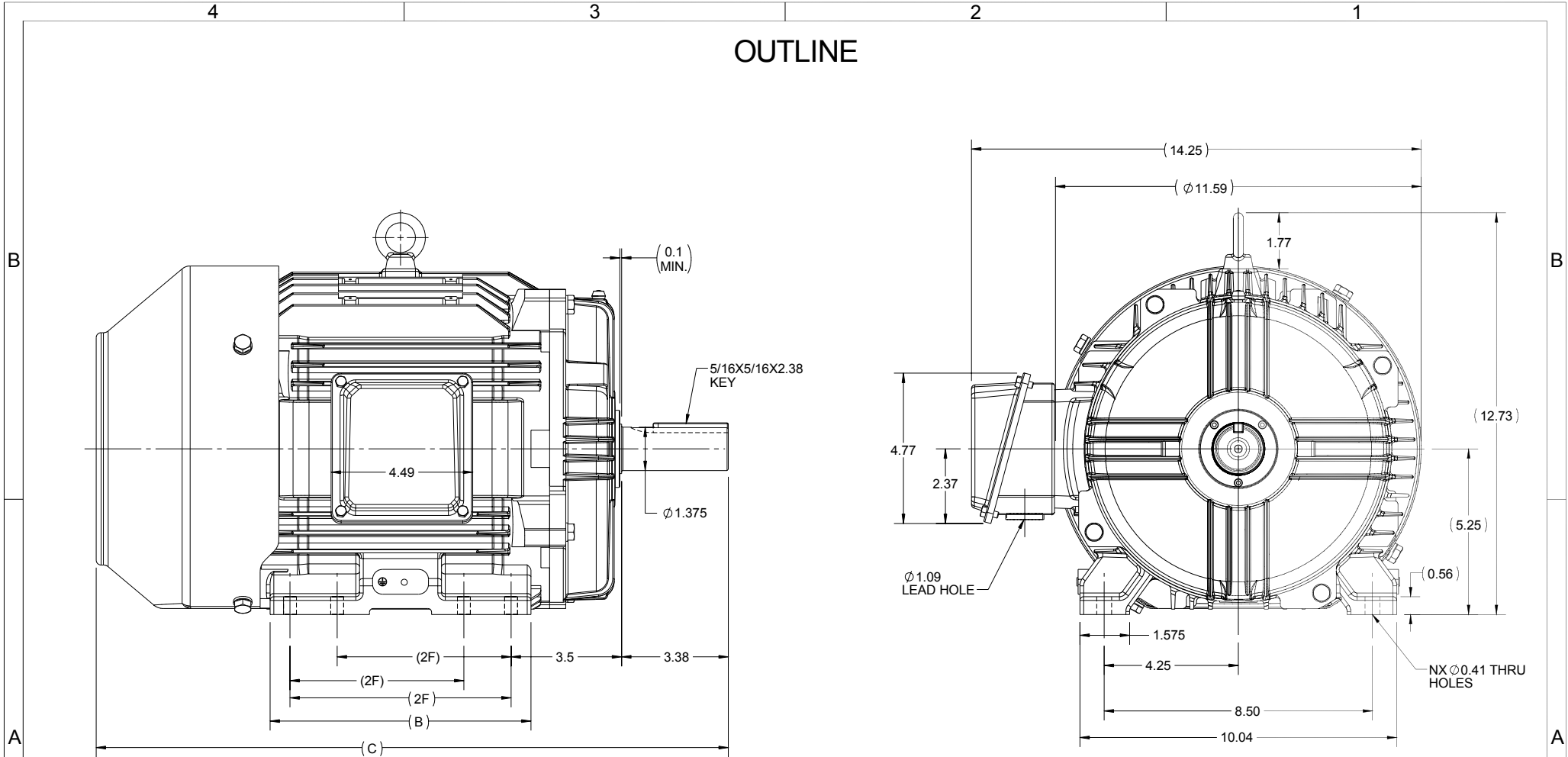
| | | | |
|----------------------------|------------------------------------|------------------------|-------------------|
| Output HP | 7.50 Hp | Output KW | 5.6 kW |
| Frequency | 60 Hz | Voltage | 575 V |
| Current | 7.6 A | Speed | 1768 rpm |
| Service Factor | 1.15 | Phase | 3 |
| Efficiency | 93.3 % | Duty | Continuous |
| Insulation Class | F | Design Code | B |
| KVA Code | H | Frame | 213T |
| Enclosure | Totally Enclosed Fan Cooled | Overload Protector | No |
| Ambient Temperature | 40 °C | Drive End Bearing Size | 6308 |
| Opp Drive End Bearing Size | 6208 | UL | Listed |
| CSA | Y | CE | Y |
| IP Code | 55 | | |

Technical Specifications

| | | | |
|-------------------|-------------------------------------|-----------------------|-------------------------|
| Electrical Type | Squirrel Cage Inverter Rated | Starting Method | Line Or Inverter |
| Poles | 4 | Rotation | Reversible |
| Mounting | Rigid base | Motor Orientation | Horizontal |
| Drive End Bearing | Ball | Opp Drive End Bearing | Ball |
| Frame Material | Cast Iron | Shaft Type | T |
| Frame Length | 7.95 in | Shaft Diameter | 1.375 in |
| Shaft Extension | 3.38 in | Assembly/Box Mounting | F1/F2 Capable |
| Outline Drawing | SS620702 | Connection Diagram | EE7300 |

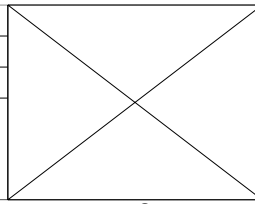
This is an uncontrolled document once printed or downloaded and is subject to change without notice. Date Created: 07/02/2018

OUTLINE



| | | | | |
|-------|------|-------|-----|---|
| 213T | 6.76 | 18.53 | 5.5 | 4 |
| 215T | 8.26 | 20.03 | 7.0 | 8 |
| FRAME | B | C | 2F | N |

| | | |
|---|---------------------|--------------------|
| DRAWING REVISION B | REVISION BY UDAY | DATE 14/10/2015 |
| ECO ECO-0087054 | APPROVED BY SBD | DATE 14/10/2015 |
| ECO DESCRIPTION UPDATED DRAWING | | |
| <small>COPYRIGHT REGAL BELOIT AMERICA, INC. ALL RIGHTS RESERVED. PROPRIETARY AND CONFIDENTIAL INFORMATION - THIS DOCUMENT IS THE PROPERTY OF REGAL BELOIT AMERICA, INC. ("OWNER") AND CONTAINS OWNER'S PROPRIETARY INFORMATION. ANY PERSON, CORPORATION OR OTHER FIRM RECEIVING IT IS DEEMED, BY RECEIVING IT, TO AGREE THAT IT, AND/OR ANY PART OF IT, SHALL NOT BE DISCLOSED TO ANY PERSON, CORPORATION OR OTHER ENTITY, DUPLICATED, AND/OR USED, EXCEPT AS EXPRESSLY APPROVED IN WRITING IN ADVANCE BY OWNER. THIS DOCUMENT SHALL BE RETURNED TO OWNER UPON REQUEST. IT MAY BE SUBJECT TO CERTAIN RESTRICTIONS UNDER APPLICABLE EXPORT CONTROL LAWS AND REGULATIONS.</small> | | |



| |
|---------------------------|
| DRAWN BY JOY |
| DATE 04/05/2015 |
| APPROVED BY SBD |
| DATE 04/05/2015 |
| REFERENCE |
| THIRD ANGLE PROJECTION |

| | |
|---|----------------------------|
| REGAL-BELOIT CORPORATION | |
| DESCRIPTION <h2>OUTLINE</h2> 213/215T FR TEFC- CAST IRON | |
| MATERIAL | PROCESS/FINISH |
| SIZE B | DRAWING NUMBER SS620702 |
| | SHEET 1 OF 1 |

**THREE PHASE - SINGLE VOLTAGE
MOTOR - CONDUIT BOX @ 'A'**

**TO REVERSE ROTATION:
INTERCHANGE ANY TWO
LINE LEAD CONNECTIONS.**

TERMINAL BLOCK WHEN SPECIFIED



VIEW OF TERMINAL END

**IF MOTOR HAS
6 LEADS**



A-9806 DECAL

**OPTIONAL CORD
CONNECTION**

- L1 _____ WHITE
- L2 _____ RED
- L3 _____ BLACK

| | | |
|---|--------------------|--------------------|
| DRAWING REVISION AB | REVISION BY JJB | DATE 06-27-2017 |
| ECO ECO-0125361 | APPROVED BY TB | DATE 06-27-2017 |
| ECO DESCRIPTION UPDATED TO CURRENT STANDARDS | | |
| <small>COPYRIGHT REGAL BELOIT AMERICA, INC. ALL RIGHTS RESERVED. PROPRIETARY AND CONFIDENTIAL INFORMATION - THIS DOCUMENT IS THE PROPERTY OF REGAL BELOIT AMERICA, INC. ("OWNER") AND CONTAINS OWNER'S PROPRIETARY INFORMATION. ANY PERSON, CORPORATION OR OTHER FIRM RECEIVING IT IS DEEMED, BY RECEIVING IT, TO AGREE THAT IT, AND/OR ANY PART OF IT, SHALL NOT BE DISCLOSED TO ANY PERSON, CORPORATION OR OTHER ENTITY, DUPLICATED, AND/OR USED, EXCEPT AS EXPRESSLY APPROVED IN WRITING IN ADVANCE BY OWNER. THIS DOCUMENT SHALL BE RETURNED TO OWNER UPON REQUEST. IT MAY BE SUBJECT TO CERTAIN RESTRICTIONS UNDER APPLICABLE EXPORT CONTROL LAWS AND REGULATIONS.</small> | | |



| |
|---------------------------|
| DRAWN BY DA |
| DATE 03-26-1993 |
| APPROVED BY TB |
| DATE 03-26-1993 |
| REFERENCE |
| THIRD ANGLE PROJECTION |

| | | |
|----------------------------|---------------------------------|--|
| Regal Beloit America, Inc. | | |
| | | DESCRIPTION CONNECTION DIAGRAM EXTERNAL - SINGLE VOLTAGE - 3Ø MOTOR |
| MATERIAL | PROCESS/FINISH | |
| SIZE A | DRAWING NUMBER EE7300 | SHEET 1 OF 1 |



**P.O. BOX 8003
WAUSAU, WI 54401-8003
PH. 715-675-3311**

CERTIFICATION DATA SHEET

CUSTOMER: CUSTOMER PO #:
ORDER #: MODEL #: 213TTFCD6030 A
CONN. DIAGRAM: EE7300 CUSTOMER PART #:
OUTLINE: SS620702 MOUNTING: F1/F2 CAPABLE
WINDING #: HE31324012 3

TYPICAL MOTOR PERFORMANCE DATA

| HP | KW | SYNC. RPM | F.L. RPM | FRAME | ENCLOSURE | KVA CODE | DESIGN | |
|-------|------|-----------|----------|------------------|------------|----------|--------|-------|
| 7 1/2 | 5.60 | 1800 | 1768 | 213T | TEFC | H | B | |
| PH | HZ | VOLTS | AMPS | START TYPE | DUTY | INSL | S.F. | AMB°C |
| 3 | 60 | 575 | 7.6 | LINE OR INVERTER | CONTINUOUS | F7 | 1.15 | 40 |

| | | | | | | | | |
|--------------------------|--------------------------|--------------------------|--------------|--------------------------|--------------|--------------------|--|-------------------|
| FULL LOAD EFF: | 93.3 | 3/4 LOAD EFF: | 93 | 1/2 LOAD EFF: | 90 | GTD. EFF | | ELEC. TYPE |
| FULL LOAD PF: | 79.3 | 3/4 LOAD PF: | 73.4 | 1/2 LOAD PF: | 63.8 | 91 | | SQ CAGE INV RATED |
| F.L. TORQUE LB-FT | LOCKED ROTOR AMPS | L.R. TORQUE LB-FT | 202 % | B.D. TORQUE LB-FT | 265 % | F.L. RISE°C | | |
| 22.3 | 49.6 | 45 | | 59 | | 40 | | |

| | | | | | | |
|-----------------------------------|------------------------|---------------------------|--------------------------|-----------------------------|----------------------|-------------------------------|
| SOUND PRESSURE @ 3 FT. DBA | SOUND POWER DBA | ROTOR WK^2 LB-FT^2 | MAX. WK^2 LB-FT^2 | SAFE STALL TIME SEC. | STARTS / HOUR | APPROX. MOTOR WGT LBS. |
| 62 | 72 | 0.95 | 75 | 25 | 2 | 175 |

***** SUPPLEMENTAL INFORMATION *****

| DE BRACKET TYPE | ODE BRACKET TYPE | MOUNT TYPE | ORIENTATION | SEVERE DUTY | HAZARDOUS LOCATION | DRIIP COVER | SCREENS | PAINT |
|-----------------|------------------|------------|-------------|-------------|--------------------|-------------------------|----------------|---------------|
| STANDARD | STANDARD | RIGID | HORIZONTAL | FALSE | DIVISION 2 T2B | FALSE | NONE | BLUE (ENAMEL) |
| BEARINGS DE ODE | | GREASE | SHAFT TYPE | SPECIAL DE | SPECIAL ODE | SHAFT MATERIAL | FRAME MATERIAL | |
| BALL | BALL | POLYREX EM | T | NONE | NONE | 1045 HOT ROLLED (C-204) | CAST IRON | |
| 6308 | 6208 | | | | | | | |

| THERMO-PROTECTORS | | | | THERMISTORS | | | SPACE HEATERS | |
|-------------------|------------|----------|----------|-------------|-------|------|---------------|-------|
| THERMOSTATS | PROTECTORS | WDG RTDS | BRG RTDS | NONE | FALSE | NONE | NONE | VOLTS |
| NONE | NOT | NONE | NONE | | | | | |

| | |
|------------------------------------|--|
| * INVERTER | TORQUE: CONSTANT 20:1/VARIABLE 20:1 |
| N INV. HP SPEED RANGE: NONE | |
| O ENCODER: NONE | |
| T NONE | NONE |
| E NONE | PPR |
| S BRAKE: NONE | NONE |
| * NONE | P/N NONE |
| | NONE |
| | NONE |
| | FT-LB NONE V NONE HZ |

PREPARED BY: Anusha Muthyala
DATE: 05/04/2018 12:34:05 AM
FORM 3531 REV.3 02/07/99
 ** Subject to change without notice.

MARATHON ELECTRIC CORPORATION

TYPICAL PERFORMANCE CURVE for AC MOTOR

Customer

Curve at

575

Volts

HP 7.50

PHASE 3

Model No 213TTFC6030

60

HZ

VOLTS 575

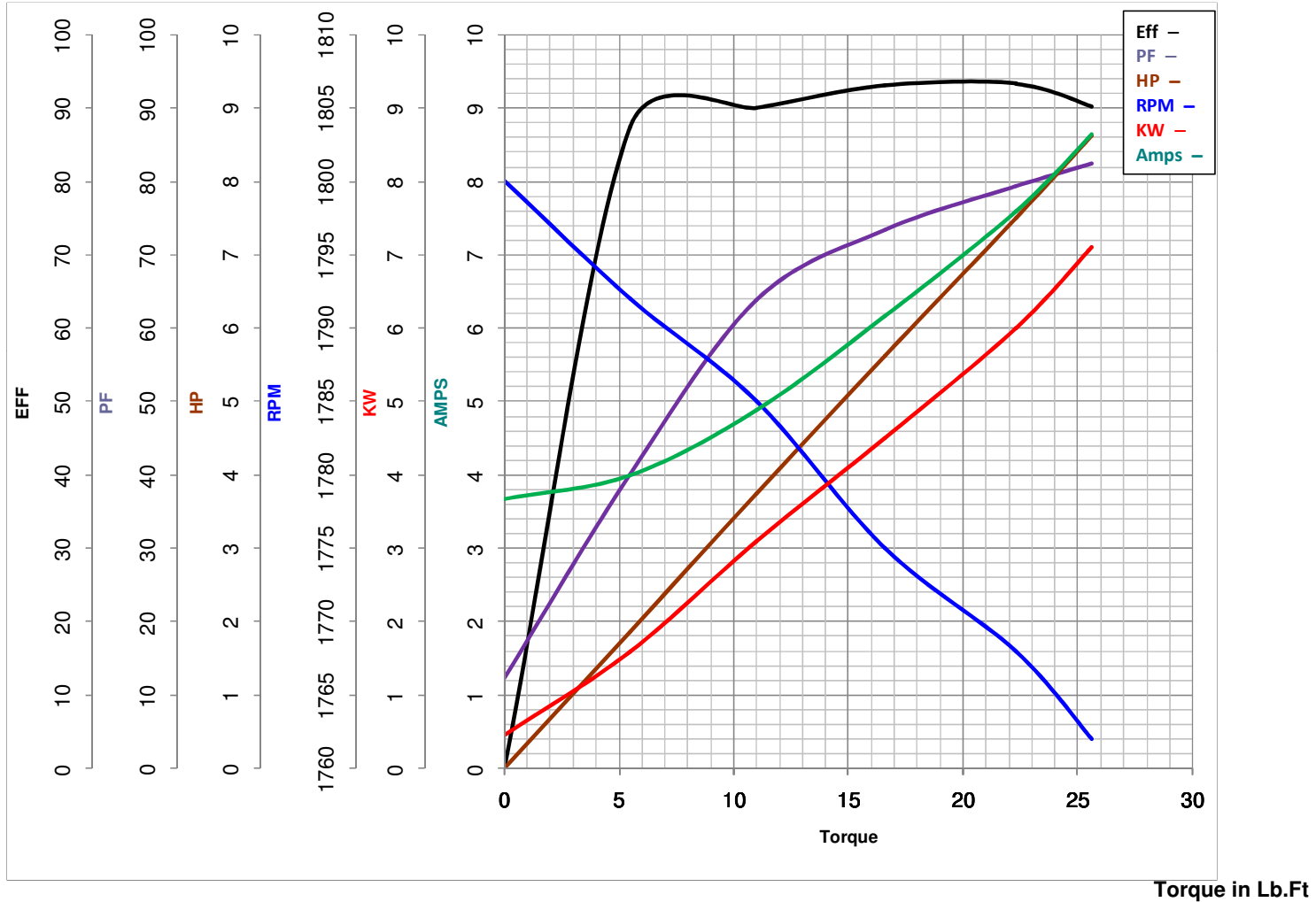
7.5

HP

Catalog No GT1116A

HZ 60

RPM 1768



Torque in Lb.Ft

FL TORQUE 22.3 Lb.Ft
 BD TORQUE 59.0 Lb.Ft
 LR TORQUE 45 Lb.Ft

FL AMPS 7.6
 PU TORQUE 38.0 Lb.Ft
 LR AMPS 49.6

WINDING HE31324012-3 Prepared By ANUSHA M

Date 5/4/2018