

# PRODUCT INFORMATION PACKET

**marathon**<sup>®</sup>  
Motors

Model No: 213TTFCD6080  
Catalog No: GT1111A  
3,1200,TEFC,213T,3/60/575  
Totally Enclosed Fan Cooled (TEFC)



Regal and Marathon are trademarks of Regal Beloit Corporation or one of its affiliated companies.  
©2018 Regal Beloit Corporation, All Rights Reserved. MC017097E

**REGAL**<sup>®</sup>



### Nameplate Specifications

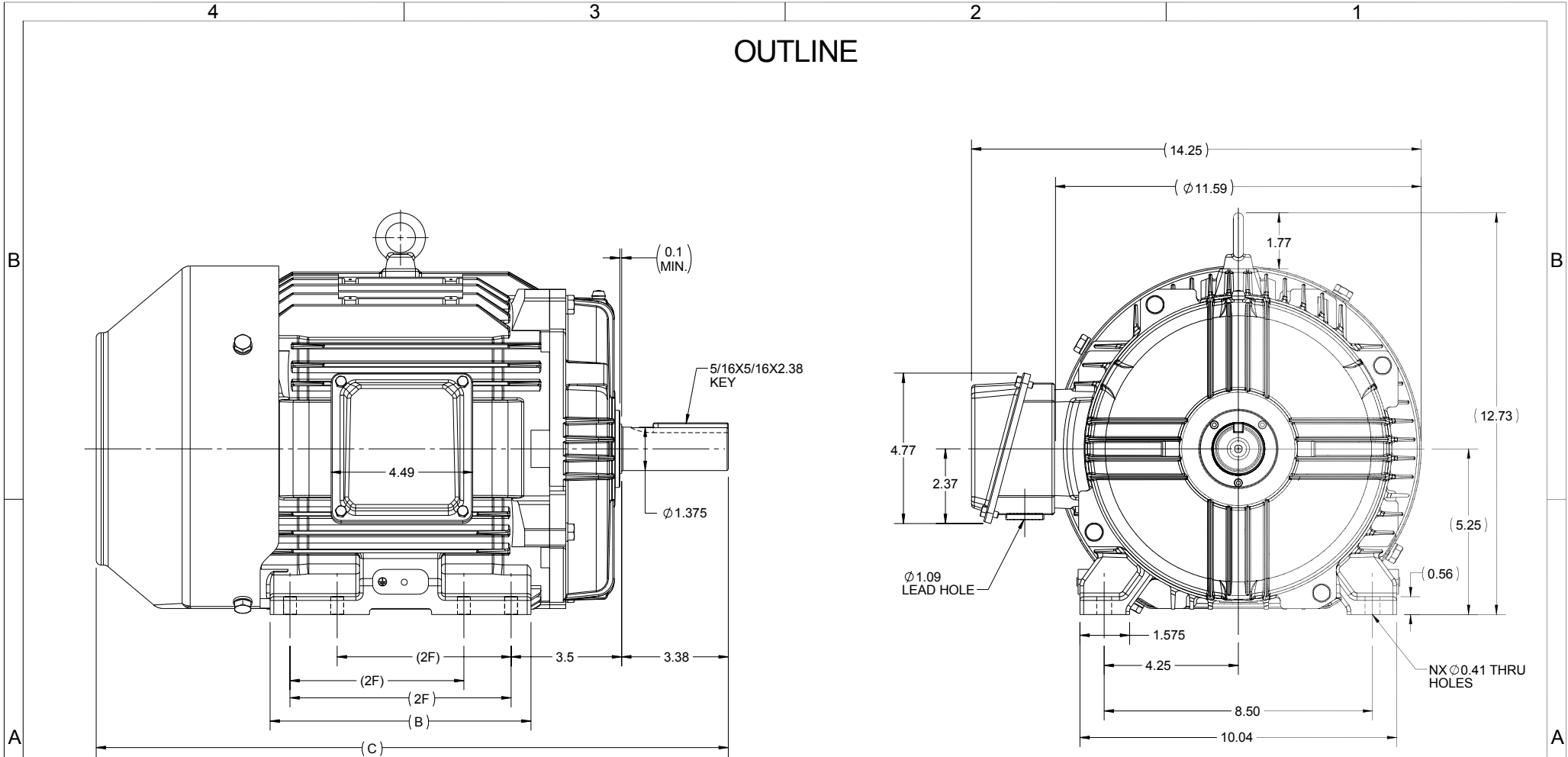
|                            |                                    |                        |                   |
|----------------------------|------------------------------------|------------------------|-------------------|
| Output HP                  | <b>3 Hp</b>                        | Output KW              | <b>2.2 kW</b>     |
| Frequency                  | <b>60 Hz</b>                       | Voltage                | <b>575 V</b>      |
| Current                    | <b>3.5 A</b>                       | Speed                  | <b>1185 rpm</b>   |
| Service Factor             | <b>1.15</b>                        | Phase                  | <b>3</b>          |
| Efficiency                 | <b>89.5 %</b>                      | Duty                   | <b>Continuous</b> |
| Insulation Class           | <b>F</b>                           | Design Code            | <b>B</b>          |
| KVA Code                   | <b>J</b>                           | Frame                  | <b>213T</b>       |
| Enclosure                  | <b>Totally Enclosed Fan Cooled</b> | Overload Protector     | <b>No</b>         |
| Ambient Temperature        | <b>40 °C</b>                       | Drive End Bearing Size | <b>6308</b>       |
| Opp Drive End Bearing Size | <b>6208</b>                        | UL                     | <b>Listed</b>     |
| CSA                        | <b>Y</b>                           | CE                     | <b>Y</b>          |
| IP Code                    | <b>55</b>                          |                        |                   |

### Technical Specifications

|                   |                                     |                       |                         |
|-------------------|-------------------------------------|-----------------------|-------------------------|
| Electrical Type   | <b>Squirrel Cage Inverter Rated</b> | Starting Method       | <b>Line Or Inverter</b> |
| Poles             | <b>6</b>                            | Rotation              | <b>Reversible</b>       |
| Mounting          | <b>Rigid base</b>                   | Motor Orientation     | <b>Horizontal</b>       |
| Drive End Bearing | <b>Ball</b>                         | Opp Drive End Bearing | <b>Ball</b>             |
| Frame Material    | <b>Cast Iron</b>                    | Shaft Type            | <b>T</b>                |
| Frame Length      | <b>7.95 in</b>                      | Shaft Diameter        | <b>1.375 in</b>         |
| Shaft Extension   | <b>3.38 in</b>                      | Assembly/Box Mounting | <b>F1/F2 Capable</b>    |
| Outline Drawing   | <b>SS620702</b>                     | Connection Diagram    | <b>EE7300</b>           |

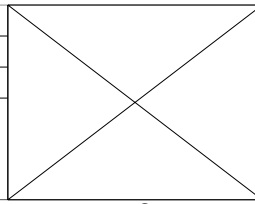
This is an uncontrolled document once printed or downloaded and is subject to change without notice. Date Created: 07/02/2018

# OUTLINE



|       |      |       |     |   |
|-------|------|-------|-----|---|
| 213T  | 6.76 | 18.53 | 5.5 | 4 |
| 215T  | 8.26 | 20.03 | 7.0 | 8 |
| FRAME | B    | C     | 2F  | N |

|   |                     |                    |
|---|---------------------|--------------------|
| DRAWING REVISION<br>B   | REVISION BY<br>UDAY | DATE<br>14/10/2015 |
| ECO<br>ECO-0087054  | APPROVED BY<br>SBD  | DATE<br>14/10/2015 |
| ECO DESCRIPTION<br>UPDATED DRAWING  |                     |                    |
| <small>COPYRIGHT REGAL BELOIT AMERICA, INC. ALL RIGHTS RESERVED.<br/>         PROPRIETARY AND CONFIDENTIAL INFORMATION - THIS DOCUMENT IS THE PROPERTY OF<br/>         REGAL BELOIT AMERICA, INC. ("OWNER") AND CONTAINS OWNER'S PROPRIETARY<br/>         INFORMATION. ANY PERSON, CORPORATION OR OTHER FIRM RECEIVING IT IS DEEMED,<br/>         BY RECEIVING IT, TO AGREE THAT IT, AND/OR ANY PART OF IT, SHALL NOT BE DISCLOSED<br/>         TO ANY PERSON, CORPORATION OR OTHER ENTITY, DUPLICATED, AND/OR USED, EXCEPT<br/>         AS EXPRESSLY APPROVED IN WRITING IN ADVANCE BY OWNER. THIS DOCUMENT SHALL<br/>         BE RETURNED TO OWNER UPON REQUEST. IT MAY BE SUBJECT TO CERTAIN<br/>         RESTRICTIONS UNDER APPLICABLE EXPORT CONTROL LAWS AND REGULATIONS.</small> |                     |                    |



|                           |
|---------------------------|
| DRAWN BY<br>JOY           |
| DATE<br>04/05/2015        |
| APPROVED BY<br>SBD        |
| DATE<br>04/05/2015        |
| REFERENCE                 |
| THIRD ANGLE<br>PROJECTION |

|   |                            |
|---|----------------------------|
| <b>REGAL-BELOIT CORPORATION</b>                             |                            |
| DESCRIPTION<br><h2>OUTLINE</h2> 213/215T FR TEFC- CAST IRON |                            |
| MATERIAL  | PROCESS/FINISH             |
| SIZE<br>B   | DRAWING NUMBER<br>SS620702 |
|   | SHEET<br>1 OF 1            |

**THREE PHASE - SINGLE VOLTAGE  
MOTOR - CONDUIT BOX @ 'A'**

**TO REVERSE ROTATION:  
INTERCHANGE ANY TWO  
LINE LEAD CONNECTIONS.**

**TERMINAL BLOCK WHEN SPECIFIED**



**VIEW OF TERMINAL END**

**IF MOTOR HAS  
6 LEADS**



A-9806 DECAL

**OPTIONAL CORD  
CONNECTION**

- L1 \_\_\_\_\_ WHITE
- L2 \_\_\_\_\_ RED
- L3 \_\_\_\_\_ BLACK

|   |                    |                    |
|---|--------------------|--------------------|
| DRAWING REVISION<br>AB  | REVISION BY<br>JJB | DATE<br>06-27-2017 |
| ECO<br>ECO-0125361  | APPROVED BY<br>TB  | DATE<br>06-27-2017 |
| ECO DESCRIPTION<br><b>UPDATED TO CURRENT STANDARDS</b>  |                    |                    |
| <small>COPYRIGHT REGAL BELOIT AMERICA, INC. ALL RIGHTS RESERVED.<br/>                 PROPRIETARY AND CONFIDENTIAL INFORMATION - THIS DOCUMENT IS THE PROPERTY OF<br/>                 REGAL BELOIT AMERICA, INC. ("OWNER") AND CONTAINS OWNER'S PROPRIETARY<br/>                 INFORMATION. ANY PERSON, CORPORATION OR OTHER FIRM RECEIVING IT IS DEEMED,<br/>                 BY RECEIVING IT, TO AGREE THAT IT, AND/OR ANY PART OF IT, SHALL NOT BE DISCLOSED<br/>                 TO ANY PERSON, CORPORATION OR OTHER ENTITY, DUPLICATED, AND/OR USED, EXCEPT<br/>                 AS EXPRESSLY APPROVED IN WRITING IN ADVANCE BY OWNER. THIS DOCUMENT SHALL<br/>                 BE RETURNED TO OWNER UPON REQUEST. IT MAY BE SUBJECT TO CERTAIN<br/>                 RESTRICTIONS UNDER APPLICABLE EXPORT CONTROL LAWS AND REGULATIONS.</small> |                    |                    |



|                           |
|---------------------------|
| DRAWN BY<br>DA            |
| DATE<br>03-26-1993        |
| APPROVED BY<br>TB         |
| DATE<br>03-26-1993        |
| REFERENCE                 |
| THIRD ANGLE<br>PROJECTION |

|                            |                                 |  |
|----------------------------|---------------------------------|--|
| Regal Beloit America, Inc. |                                 |  |
|                            |                                 | DESCRIPTION<br><b>CONNECTION DIAGRAM</b><br>EXTERNAL - SINGLE VOLTAGE - 3Ø MOTOR |
| MATERIAL                   | PROCESS/FINISH                  |  |
| SIZE<br><b>A</b>           | DRAWING NUMBER<br><b>EE7300</b> | SHEET<br>1 OF 1  |



**P.O. BOX 8003  
WAUSAU, WI 54401-8003  
PH. 715-675-3311**

**CERTIFICATION DATA SHEET**

**CUSTOMER:** CUSTOMER PO #:  
**ORDER #:** MODEL #: 213TTFCD6080 AA  
**CONN. DIAGRAM:** EE7300 CUSTOMER PART #:  
**OUTLINE:** SS620702 MOUNTING: F1/F2 CAPABLE  
**WINDING #:** HE31326018 3

**TYPICAL MOTOR PERFORMANCE DATA**

| HP | KW   | SYNC. RPM | F.L. RPM | FRAME            | ENCLOSURE  | KVA CODE | DESIGN |       |
|----|------|-----------|----------|------------------|------------|----------|--------|-------|
| 3  | 2.24 | 1200      | 1185     | 213T             | TEFC       | J        | B      |       |
| PH | HZ   | VOLTS     | AMPS     | START TYPE       | DUTY       | INSL     | S.F.   | AMB°C |
| 3  | 60   | 575       | 3.45     | LINE OR INVERTER | CONTINUOUS | F7       | 1.15   | 40    |

|                          |      |                          |      |                          |       |                          |  |                    |
|--------------------------|------|--------------------------|------|--------------------------|-------|--------------------------|--|--------------------|
| <b>FULL LOAD EFF:</b>    | 89.5 | <b>3/4 LOAD EFF:</b>     | 89   | <b>1/2 LOAD EFF:</b>     | 87.3  | <b>GTD. EFF</b>          |  | <b>ELEC. TYPE</b>  |
| <b>FULL LOAD PF:</b>     | 73   | <b>3/4 LOAD PF:</b>      | 66.2 | <b>1/2 LOAD PF:</b>      | 54.4  | 88.5                     |  | SQ CAGE INV RATED  |
| <b>F.L. TORQUE LB-FT</b> |      | <b>LOCKED ROTOR AMPS</b> |      | <b>L.R. TORQUE LB-FT</b> |       | <b>B.D. TORQUE LB-FT</b> |  | <b>F.L. RISE°C</b> |
| 13.3                     |      | 28                       |      | 28                       | 211 % | 37                       |  | 50                 |

|                                   |    |                        |    |                           |   |                          |    |                             |    |                      |   |                               |     |
|-----------------------------------|----|------------------------|----|---------------------------|---|--------------------------|----|-----------------------------|----|----------------------|---|-------------------------------|-----|
| <b>SOUND PRESSURE @ 3 FT. DBA</b> | 55 | <b>SOUND POWER DBA</b> | 65 | <b>ROTOR WK^2 LB-FT^2</b> | 1 | <b>MAX. WK^2 LB-FT^2</b> | 90 | <b>SAFE STALL TIME SEC.</b> | 25 | <b>STARTS / HOUR</b> | 2 | <b>APPROX. MOTOR WGT LBS.</b> | 200 |
|-----------------------------------|----|------------------------|----|---------------------------|---|--------------------------|----|-----------------------------|----|----------------------|---|-------------------------------|-----|

**\*\*\* SUPPLEMENTAL INFORMATION \*\*\***

| DE BRACKET TYPE | ODE BRACKET TYPE | MOUNT TYPE | ORIENTATION | SEVERE DUTY | HAZARDOUS LOCATION | DRIP COVER              | SCREENS        | PAINT         |
|-----------------|------------------|------------|-------------|-------------|--------------------|-------------------------|----------------|---------------|
| STANDARD        | STANDARD         | RIGID      | HORIZONTAL  | FALSE       | DIVISION 2 T2B     | FALSE                   | NONE           | BLUE (ENAMEL) |
| BEARINGS DE     | ODE              | GREASE     | SHAFT TYPE  | SPECIAL DE  | SPECIAL ODE        | SHAFT MATERIAL          | FRAME MATERIAL |               |
| BALL            | BALL             | POLYREX EM | T           | NONE        | NONE               | 1045 HOT ROLLED (C-204) | CAST IRON      |               |
| 6308            | 6208             |            |             |             |                    |                         |                |               |

| THERMO-PROTECTORS |            |          |          | THERMISTORS |       |      | SPACE HEATERS |       |
|-------------------|------------|----------|----------|-------------|-------|------|---------------|-------|
| THERMOSTATS       | PROTECTORS | WDG RTDS | BRG RTDS | NONE        | FALSE | NONE | NONE          | VOLTS |
| NONE              | NOT        | NONE     | NONE     |             |       |      |               |       |

|                               |                                     |
|-------------------------------|-------------------------------------|
| <b>* INVERTER</b>             | TORQUE: CONSTANT 20:1/VARIABLE 20:1 |
| <b>N INV. HP SPEED RANGE:</b> | NONE                                |
| <b>O ENCODER:</b>             | NONE                                |
| <b>T NONE</b>                 | NONE                                |
| <b>E NONE</b>                 | PPR                                 |
| <b>S BRAKE:</b>               | NONE                                |
| <b>* NONE</b>                 | P/N NONE                            |
|                               | NONE                                |
|                               | NONE                                |
|                               | FT-LB NONE V NONE HZ                |

**PREPARED BY:** Fareeda Dudekula  
**DATE:** 05/04/2018 07:53:21 AM  
**FORM 3531 REV.3 02/07/99**  
 \*\* Subject to change without notice.

**MARATHON ELECTRIC CORPORATION**

TYPICAL PERFORMANCE CURVE for AC MOTOR

Customer

Curve at

575

Volts

HP 3.00

PHASE 3

Model No 213TTFC6080

60

HZ

VOLTS 575

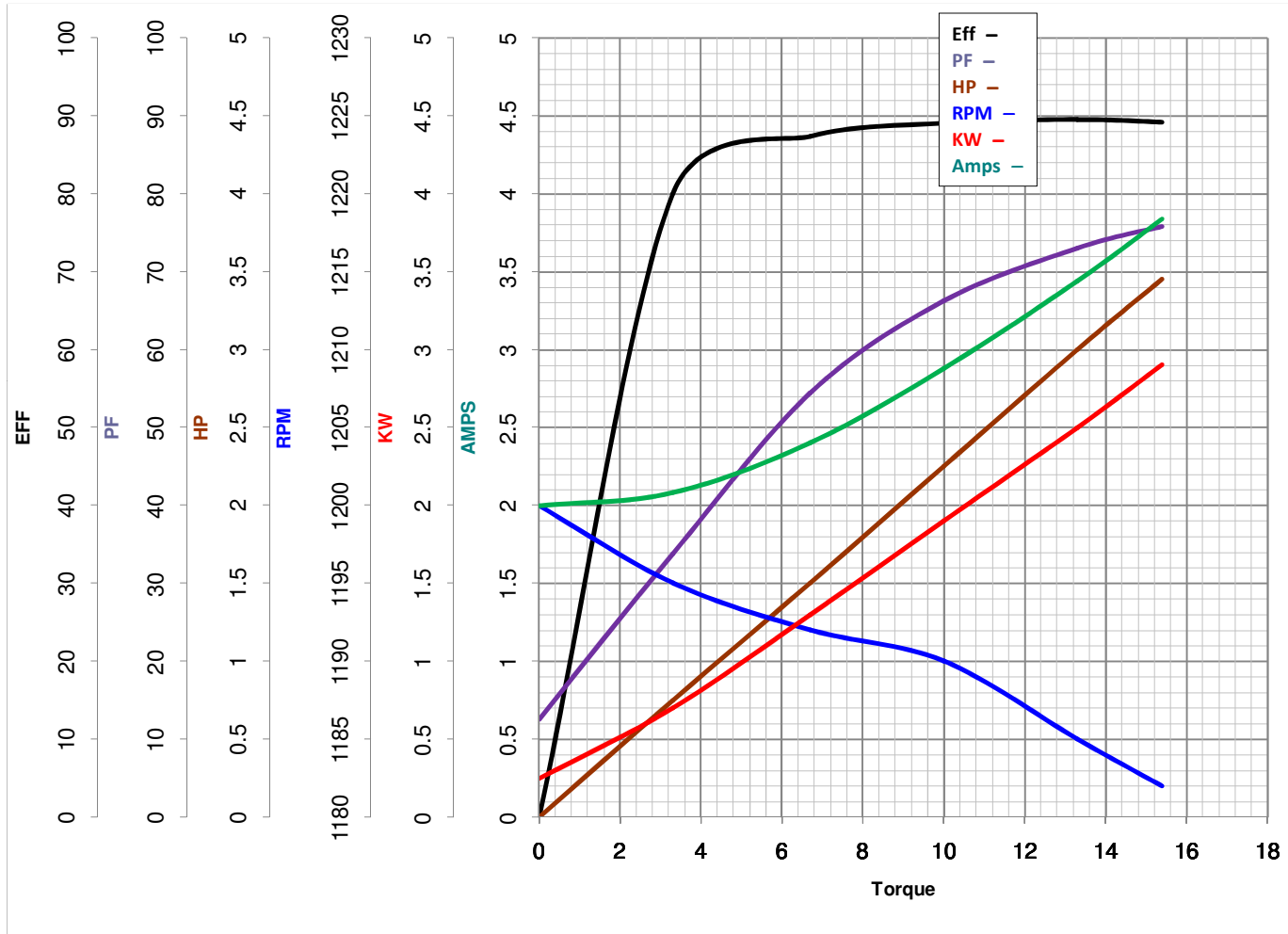
3

HP

Catalog No GT1111A

HZ 60

RPM 1185



Torque in Lb.Ft

FL TORQUE 13.3 Lb.Ft

BD TORQUE 37.0 Lb.Ft

LR TORQUE 28 Lb.Ft

FL AMPS 3.45

PU TORQUE 24.0 Lb.Ft

LR AMPS 28

WINDING HE31326018-3

Prepared By

FAREEDA

Date

5/4/2018