

PRODUCT INFORMATION PACKET

Model No: 215TBDW7079
Catalog No: I144
3,1200,DP,215T,1/60/230
Open Drip Proof (ODP)



Regal and Marathon are trademarks of Regal Beloit Corporation or one of its affiliated companies.
©2018 Regal Beloit Corporation, All Rights Reserved. MC017097E





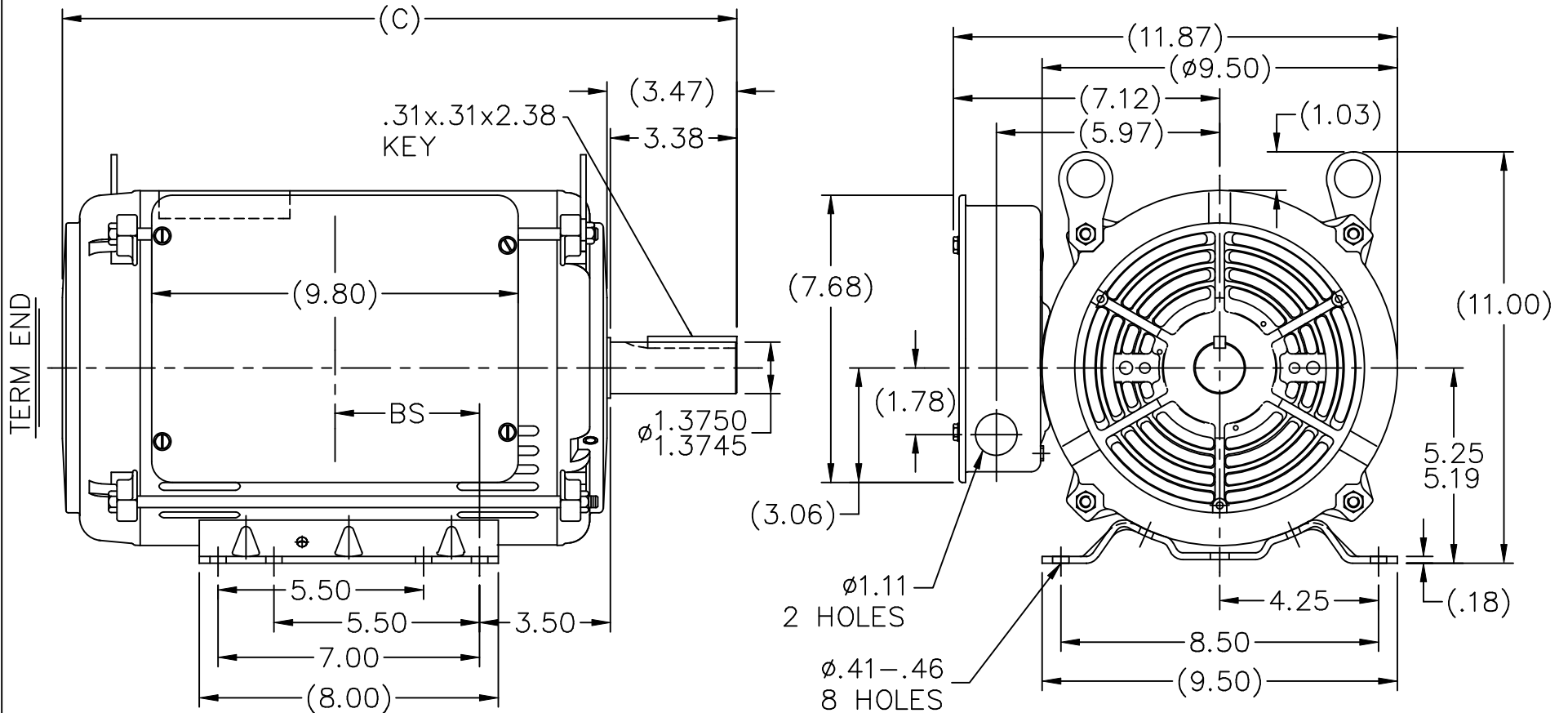
Nameplate Specifications

Output HP	3 Hp	Output KW	2.2 kW
Frequency	60 Hz	Voltage	230 V
Current	16.0 A	Speed	1155 rpm
Service Factor	1.15	Phase	1
Efficiency	80 %	Duty	Continuous
Insulation Class	B	Design Code	L
KVA Code	G	Frame	215T
Enclosure	Drip Proof	Overload Protector	No
Ambient Temperature	40 °C	Drive End Bearing Size	6307
Opp Drive End Bearing Size	6206	UL	Recognized
CSA	Y	CE	Y
IP Code	22		

Technical Specifications

Electrical Type	Capacitor Start Capacitor Run	Starting Method	Across The Line
Poles	6	Rotation	Selective Counterclockwise
Mounting	Rigid base	Motor Orientation	Horizontal
Drive End Bearing	Ball	Opp Drive End Bearing	Ball
Frame Material	Rolled Steel	Shaft Type	T
Overall Length	18.05 in	Frame Length	11.15 in
Shaft Diameter	1.375 in	Shaft Extension	3.47 in
Assembly/Box Mounting	F1 Only		
Outline Drawing	A-SS86561-1115	Connection Diagram	A-EE9048MF

This is an uncontrolled document once printed or downloaded and is subject to change without notice. Date Created: 06/29/2018



DASH	FR.	C	BS
965	213T	16.55	2.45
1115	213/15T	18.05	3.95
1240	213/15T	19.30	5.20

NOTES:

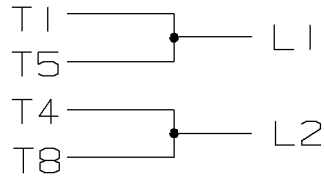
1. NAMEPLATE TO BE READ FROM C'BOX SIDE OF MOTOR.

NO.	REVISION	BY & DATE	CHK	ANG	TOLERANCES UNLESS SPECIFIED	FINISH	PREV
10	CHG. C'BOX BACK TO OLD BOX 07-1847	RWR 04-14-2008					
9	NEW C'BOX 07-1847	RJW 01-07-2008	ML	DEC.	INCHES		
8	UPDATED DRAWING	TJW 04-27-2007		.X	±.1		
7	REDRAWN IN AUTOCAD	TAT 05-19-2005	ML	.XX	±.03		
6	REM. 2 ADD'L ø1.38 CONDUIT BOX HOLES CN 26624	MRB 07-16-1998		.XXX	±.005		
5	ADDED ADD'L ø1.38 HOLE TO COND. BOX CN 26000-304	MJD 04-23-1998		.XXXX	±.0005		
					±7'30"		

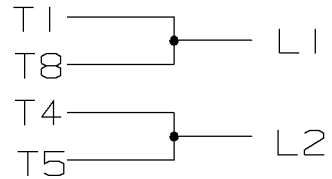
		DRAWN SLJ 09-01-1994	
		CHK SMC 09-01-1994	
		APPD DRN 09-01-1994	
TITLE OUTLINE		SCALE 1=4.2	
210 T FR. - BB - TS - DR.PR.		REF	
MAT'L.		FMF	
FINISH		PREV	
RFP	CAD FILE ss86561	SIZE A	DRAWING NO. SS86561
DIST LB		PAGE	OF
		REV.	10

```
ERROR: syntaxerror  
OFFENDING COMMAND: --nostringval--  
STACK :  
  /im  
-savelevel-
```

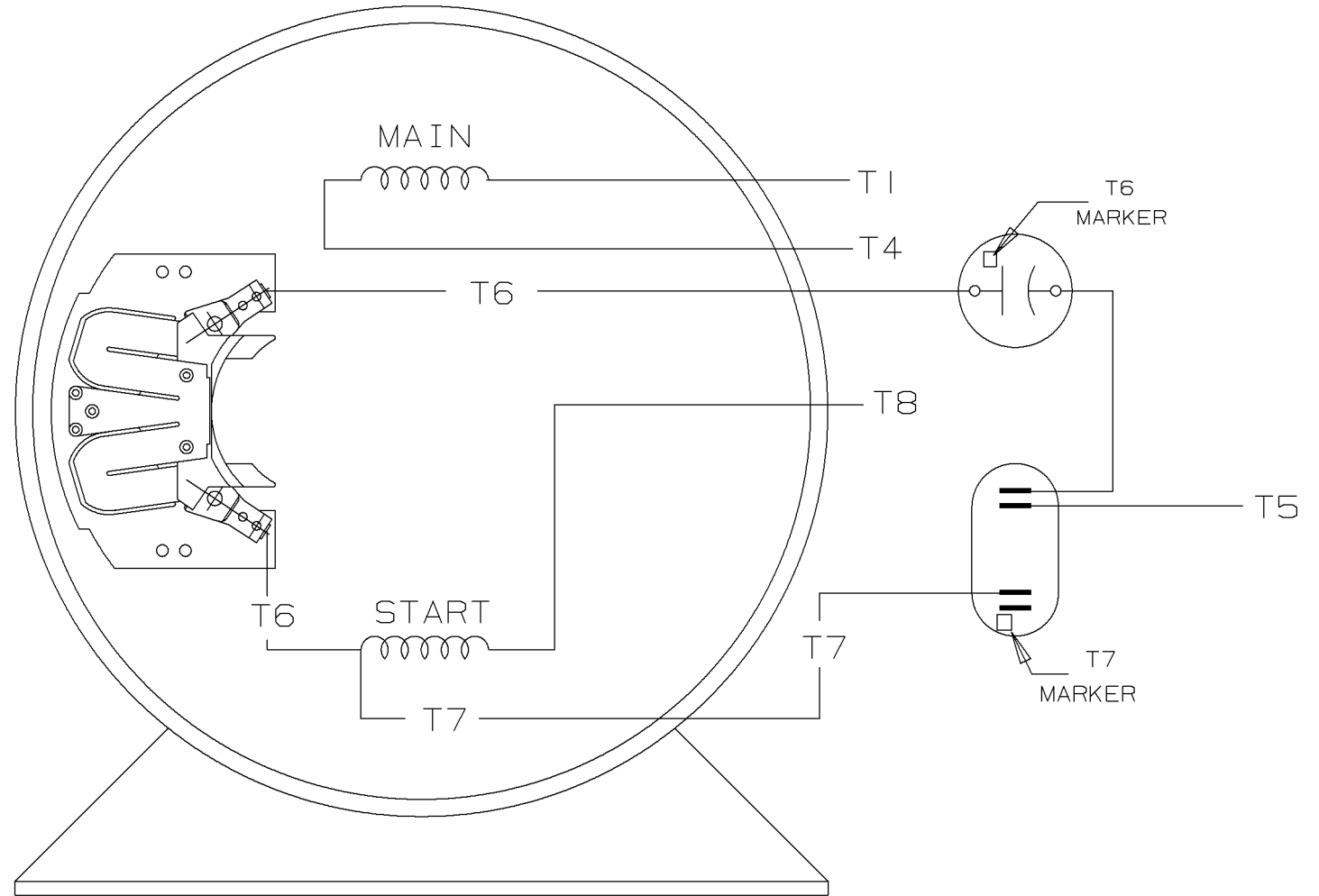
C.W. ROTATION



C.C.W. ROTATION



SINGLE VOLTAGE
CAPACITOR START
CAPACITOR RUN
REVERSIBLE



VIEW OF TERMINAL END

				✓ MAX. SURFACE ROUGHNESS UNLESS NOTED OTHERWISE	UNLESS OTHERWISE SPECIFIED DIMENSIONS ARE IN INCHES TOL. ON XX± XXX±.005 XXXX±.0005 ANGLES±		
				MATL SPEC	180 - 210 SWITCH	DRAWN BY	GK 11-01-1986
				FINISH	MARATHON ELECTRIC	CHKD BY	ML 11-01-1986
I	11-04-1986	NEW DRAWING	CN 7664C	GK	REFERENCE DRW.	WAUSAU, WISCONSIN 54401	APPD BY FG 11-04-1986
REV	DATE	CHANGE	NAME	PART NAME CONNECTION DIAGRAM			DRWG NO A-EE9048MF

SHOP BOOK

PURCHASED

DISTRIBUTION - WA - LB - WP - LM - BR

CADD FILE NO.

EE9048MF

