

PRODUCT INFORMATION PACKET

marathon[®]
Motors

Model No: 215TBFW7026
Catalog No: I215
7 1/2, 1740, TEFC, 215T, 1/60/208-230
Totally Enclosed Fan Cooled (TEFC)



Regal and Marathon are trademarks of Regal Beloit Corporation or one of its affiliated companies.
©2018 Regal Beloit Corporation, All Rights Reserved. MC017097E

REGAL[®]

Nameplate Specifications

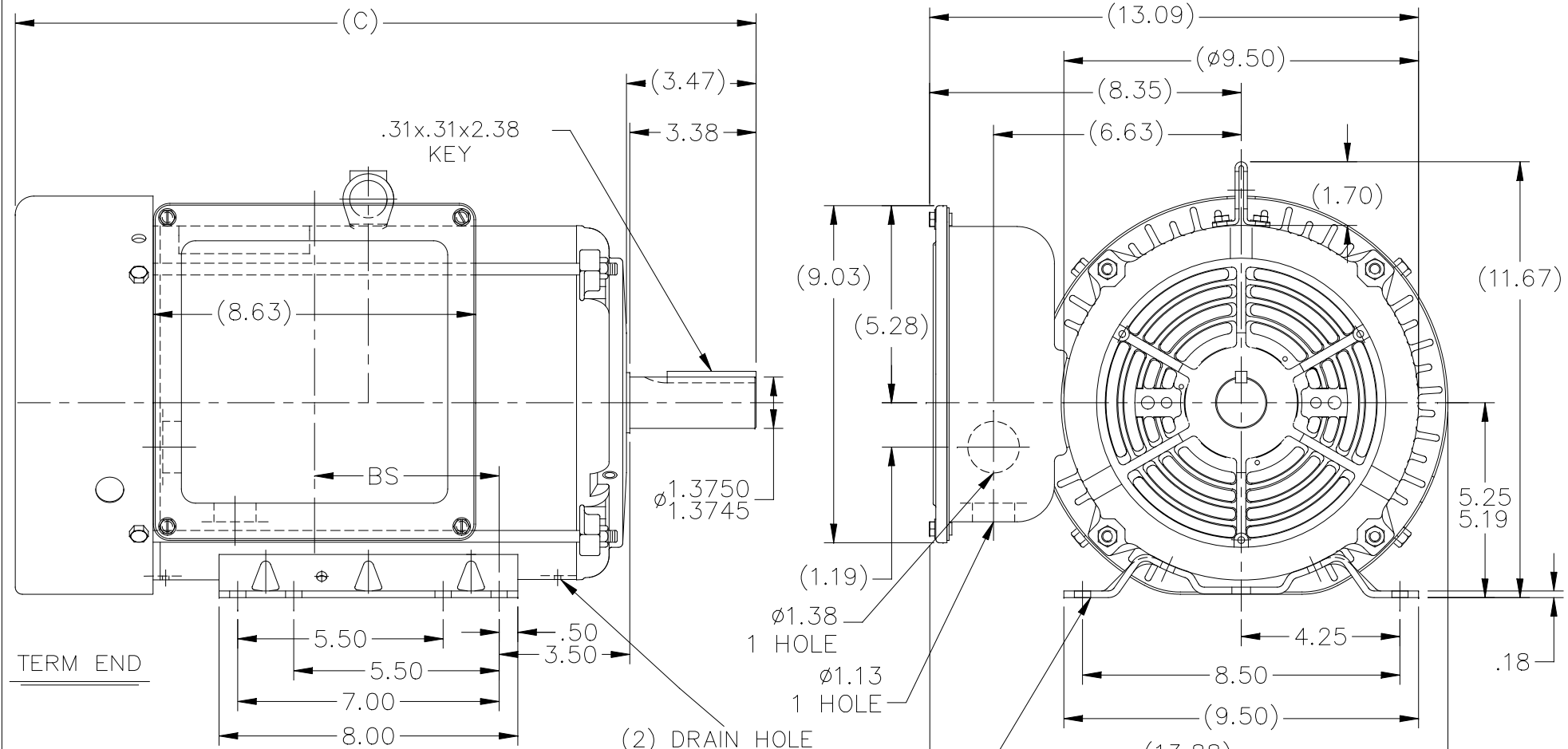
Output HP	7.50 Hp	Output KW	5.6 kW
Frequency	60 Hz	Voltage	208-230 V
Current	35.0-30.0 A	Speed	1740 rpm
Service Factor	1	Phase	1
Efficiency	84 %	Duty	Continuous
Insulation Class	B	Design Code	L
KVA Code	G	Frame	215T
Enclosure	Totally Enclosed Fan Cooled	Overload Protector	No
Ambient Temperature	40 °C	Drive End Bearing Size	6307
Opp Drive End Bearing Size	6206	UL	Recognized
CSA	Y	CE	Y
IP Code	43		

Technical Specifications

Electrical Type	Capacitor Start Capacitor Run	Starting Method	Across The Line
Poles	4	Rotation	Selective Counterclockwise
Mounting	Rigid Base	Motor Orientation	Horizontal
Drive End Bearing	Ball	Opp Drive End Bearing	Ball
Frame Material	Rolled Steel	Shaft Type	T
Overall Length	21.09 in	Frame Length	12.40 in
Shaft Diameter	1.375 in	Shaft Extension	3.47 in
Assembly/Box Mounting	F1 Only		
Outline Drawing	A-SS88687-1240	Connection Diagram	A-EE9048MF

This is an uncontrolled document once printed or downloaded and is subject to change without notice. Date Created: 10/08/2018

SS88687



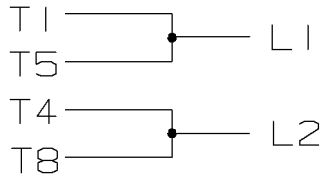
TERM END

DASH	FR.	C	BS
965	213T	18.34	3.44
1115	213/15T	19.84	4.94
1240	215T	21.09	6.19

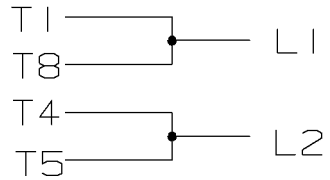
NOTES:
 1. NAMEPLATE TO BE READ FROM C'BOX SIDE OF MOTOR.
 2. DASH 965 TO BE READ FROM OPPOSITE SHAFT END

				TOLERANCES UNLESS SPECIFIED		REGAL TM Regal Beloit America, Inc.	DRAWN MJK 07-25-2007							
				DEC.	INCHES		CHK	MG	01-24-2008					
				.X	±.1	TITLE OUTLINE 210 FR. - TEFC - 1 PHASE	APPD	EH	01-24-2008	SCALE	1=4			
				.XX	±.03		REF							
				.XXX	±.005		REF							
A	DRAIN HOLES ADDED			KIR	02/08/16	SS	.XXXX	±.0005	MAT'L.	FMF				
NO.	REVISION			BY & DATE	CHK	ANG	±7'30"		FINISH	PREV				
THIS DRAWING IN DESIGN AND DETAIL IS OUR PROPERTY AND MUST NOT BE USED EXCEPT IN CONNECTION WITH OUR WORK ALL RIGHTS OF DESIGN AND INVENTION ARE RESERVED THIS IS AN ELECTRONICALLY GENERATED DOCUMENT - DO NOT SCALE THIS PRINT				RFP	01-24-2008	CAD FILE ss88687				SIZE	DRAWING NO.	PAGE	OF	REV.
				DIST	LB					A	SS88687			A

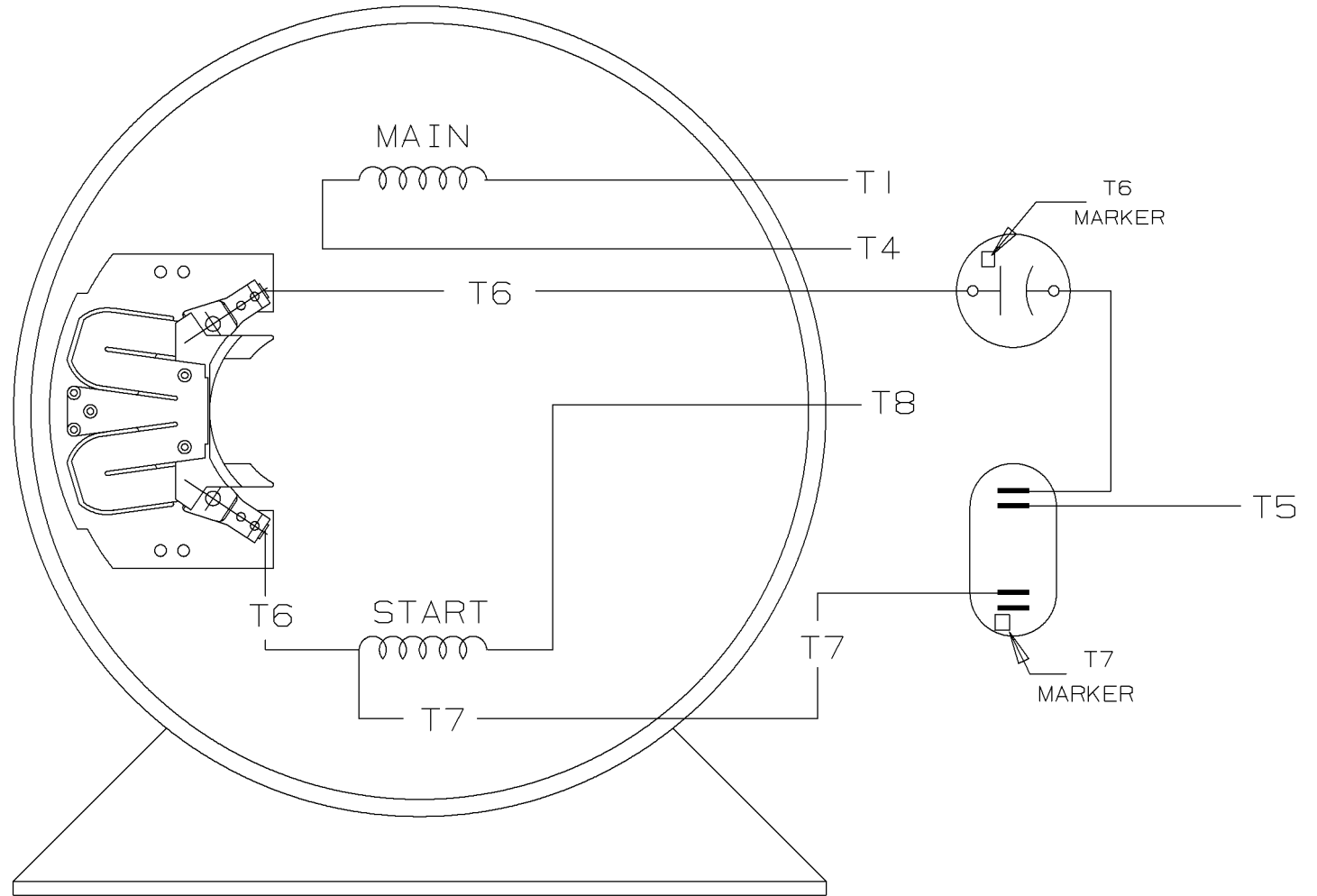
C.W. ROTATION



C.C.W. ROTATION



SINGLE VOLTAGE
CAPACITOR START
CAPACITOR RUN
REVERSIBLE



VIEW OF TERMINAL END

				✓ MAX. SURFACE ROUGHNESS UNLESS NOTED OTHERWISE	UNLESS OTHERWISE SPECIFIED DIMENSIONS ARE IN INCHES TOL. ON XX± XXX±.005 XXXX±.0005 ANGLES±		
				MATL SPEC	180 - 210 SWITCH	DRAWN BY GK	11-01-1986
				FINISH	MARATHON ELECTRIC	CHKD BY ML	11-01-1986
I	11-04-1986	NEW DRAWING	CN 7664C	GK	REFERENCE DRW.	APPD BY FG	11-04-1986
REV	DATE	CHANGE	NAME	PART NAME CONNECTION DIAGRAM			DRWG NO A-EE9048MF

SHOP BOOK

PURCHASED

DISTRIBUTION - WA - LB - WP - LM - BR

CADD FILE NO.

EE9048MF

CERTIFICATION DATA SHEET

Model#: 215TBFW7026 BD WINDING#: BK104118 NONE 1
 CONN. DIAGRAM: A-EE9048MF ASSEMBLY: F1 ONLY
 OUTLINE: A-SS88687-1240

TYPICAL MOTOR PERFORMANCE DATA

HP	KW	SYNC. RPM	F.L. RPM	FRAME	ENCLOSURE	KVA CODE	DESIGN			
7 1/2	5.6	1800	1740	215T	TEFC	G	L			
PH	Hz	VOLTS	FL AMPS	START TYPE	DUTY	INSL	S.F	AMB°C	ELEVATION	
1	60	208-230	35-30	ACROSS THE LINE	CONTINUOUS	B4	1.0	40	3300	
FULL LOAD EFF: 84		3/4 LOAD EFF: 84.5		1/2 LOAD EFF: 82.5		GTD. EFF		ELEC. TYPE		NO LOAD AMPS
FULL LOAD PF: 96		3/4 LOAD PF: 95.8		1/2 LOAD PF: 95		0		CAP START CAP RUN		5
F.L. TORQUE		LOCKED ROTOR AMPS		L.R. TORQUE		B.D. TORQUE		F.L. RISE°C		
22.5 LB-FT		198		50 LB-FT 222		51 LB-FT 227		85		
SOUND PRESSURE @ 3 FT.	SOUND POWER	ROTOR WK^2	MAX. WK^2	SAFE STALL TIME	STARTS /HOUR	APPROX. MOTOR WGT				
72 dBA	82 dBA	0 LB-FT^2	- LB-FT^2	- SEC.	-	0 LBS.				

***** SUPPLEMENTAL INFORMATION *****

DE BRACKET TYPE	ODE BRACKET TYPE	MOUNT TYPE	ORIENTATION	SEVERE DUTY	HAZARDOUS LOCATION	DRIP COVER	SCREENS	PAINT	
STANDARD	STANDARD	RIGID	HORIZONTAL	FALSE	NONE	FALSE	NONE	BLUE (ENAMEL)	
BEARINGS		GREASE	SHAFT TYPE	SPECIAL DE	SPECIAL ODE	SHAFT MATERIAL	FRAME MATERIAL		
DE	OPE	POLYREX EM	T	NONE	NONE	AISI 1045 (C-240)	ROLLED STEEL		
BALL	BALL								
6307	6206								
THERMO-PROTECTORS					THERMISTORS	CONTROL	SPACE /n HEATERS		
THERMOSTATS	PROTECTORS	WDG RTDs	BRG RTDs						
NONE	NOT	NONE	NONE	NONE	NONE	FALSE	NONE VOLTS		

If Inverter equals NONE, contact factory for further information

INVERTER TORQUE: NONE
INV. HP SPEED RANGE: NONE
ENCODER: NONE
NONE NONE
NONE NONE PPR
BRAKE: NONE NONE
NONE P/N NONE
NONE NONE
- FT-LB NONE V NONE Hz

*
N
O
T
E
S
*

DATE: 06/22/2017 07:00:02 AM

FORM 3531 REV.3 02/07/99

** Subject to change without notice.