

PRODUCT INFORMATION PACKET

Model No: 215TTFBD6004
Catalog No: GT1318A
10,3600,TEFC,215TC,3/60/208-230/460
Totally Enclosed Fan Cooled (TEFC)



Regal and Marathon are trademarks of Regal Beloit Corporation or one of its affiliated companies.
©2018 Regal Beloit Corporation, All Rights Reserved. MC017097E



Product Information Packet: Model No: 215TTFBFD6004, Catalog No:GT1318A 10,3600,TEFC,215TC,3/60/208-230/460

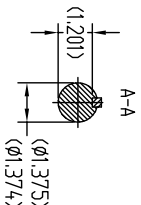
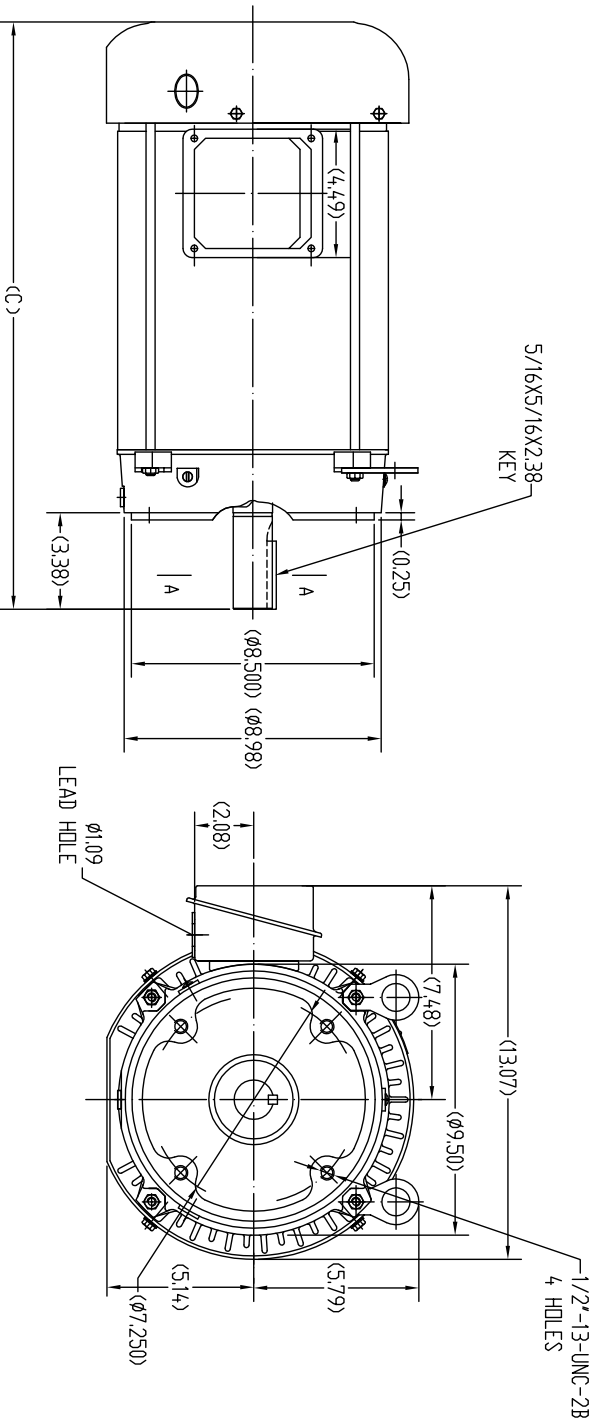
Nameplate Specifications

Output HP	10 Hp	Output KW	7.5 kW
Frequency	60 Hz	Voltage	230/460 V
Current	23.6/11.8 A	Speed	3518 rpm
Service Factor	1.15	Phase	3
Efficiency	90.2 %	Duty	Continuous
Insulation Class	F	Design Code	B
KVA Code	H	Frame	215TC
Enclosure	Totally Enclosed Fan Cooled	Overload Protector	No
Ambient Temperature	40 °C	Drive End Bearing Size	6307
Opp Drive End Bearing Size	6206	UL	Recognized
CSA	Y	CE	Y
IP Code	43		

Technical Specifications

Electrical Type	Squirrel Cage Inverter Rated	Starting Method	Line Or Inverter
Poles	2	Rotation	Reversible
Mounting	Round	Motor Orientation	Horizontal
Drive End Bearing	Ball	Opp Drive End Bearing	Ball
Frame Material	Rolled Steel	Shaft Type	T
Overall Length	20.70 in	Frame Length	11.15 in
Shaft Diameter	1.375 in	Shaft Extension	3.38 in
Assembly/Box Mounting	F1/F2 Capable		
Outline Drawing	SS620712-215TC	Connection Diagram	EE7308

This is an uncontrolled document once printed or downloaded and is subject to change without notice. Date Created: 10/08/2018



2131C	191
2151C	207
FRAME	C

DATE	REVISED	BY & DATE	CHK	APP	DIST	FINISH	CDW FILE	SIZE DRAWING NO.	REV.
							SS620712	B	SS620712

UNLESS SPECIFIED	REGAL	
DEC. INCHES	REGAL-BELOIT CORPORATION	
± 1	DUTLINE	
$\pm .03$	2131/2151C TEFC ROUND BODY	
$\pm .005$	SCALE 1-4	
$\pm .005$	MATERIAL	
$\pm 1/2$	FINISH	

DRAWN	VF 25-2-2016
CHK	ZHV 25-2-2016
APPD	ZMH 25-2-2016
REF	
PREV	

ALL DIMENSIONS IN DESIGN AND SERIALS MUST BE IN CONNECTION WITH OUR WORK THIS IS AN ELECTRONICALLY GENERATED DOCUMENT - DO NOT SCALE THIS PRINT

EE7308

THREE PHASE
DUAL VOLTAGE MOTOR



VIEW OF TERMINAL END

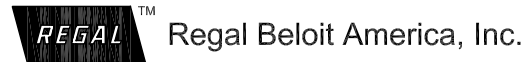
REF.
WINDING DIAGRAM

T8Y, T2Y, T2BL, T4BX, T2EC, T2G
T6BZ, T2B, T6BL, T4AV, T6B, T4B

OPTIONAL CORD
CONNECTION

L1 — WHITE
L2 — RED
L3 — BLACK

NO.	REVISION	BY & DATE	CHK	ANG	TOLERANCES UNLESS SPECIFIED		FINISH	DRAWN RM 11/20/1990				
					DEC.	INCHES						
5	CHG TO REGAL LOGO	SL 09/10/2015	AB					CHK ML 11/21/1990				
4	REVISED IEC NOTATIONS	MSG 11/15/2011	CMN	.X	±.1			APPD SAS 04/24/2003				
3	ADDED IEC NOTATIONS... (U1), (V1) ETC. MU95194	MSG 5/10/2010	MJS	.XX	±.02		TITLE CONNECTION DIAGRAM	SCALE 1=1				
2	ADDED THE OPTIONAL CORD CONNECTION MU46318	RDH 04/24/2003	DRS	.XXX	±.005		3Ø - DUAL VOLTAGE MOTOR	REF				
1	REDRAWN	RM 11/20/1990		.XXXX	±.0005		MAT'L.	FMF				
					±7'30"			PREV				
THIS DRAWING IN DESIGN AND DETAIL IS OUR PROPERTY AND MUST NOT BE USED EXCEPT IN CONNECTION WITH OUR WORK ALL RIGHTS OF DESIGN AND INVENTION ARE RESERVED THIS IS AN ELECTRONICALLY GENERATED DOCUMENT - DO NOT SCALE THIS PRINT							RFP	CAD FILE ee7308	SIZE A	DRAWING NO. EE7308	PAGE OF 5	REV. 5
							DIST WP					





**P.O. BOX 8003
WAUSAU, WI 54401-8003
PH. 715-675-3311**

CERTIFICATION DATA SHEET

CUSTOMER: CUSTOMER PO #:
ORDER #: MODEL #: 215TTFBD6004 AA
CONN. DIAGRAM: EE7308 CUSTOMER PART #:
OUTLINE: SS620712 MOUNTING: F1/F2 CAPABLE
WINDING #: HE31322010 2

TYPICAL MOTOR PERFORMANCE DATA

HP	KW	SYNC. RPM	F.L. RPM	FRAME	ENCLOSURE	KVA CODE	DESIGN
10&7 1/2	7.50&5.60	3600	3518&2925	215TC	TEFC	H	B

PH	HZ	VOLTS	AMPS	START TYPE	DUTY	INSL	S.F.	AMB°C
3	60/50	230/460&190/380	23.6/11.8&21.6/10.8	LINE OR INVERTER	CONTINUOUS	F7	1.15/1.15	40

FULL LOAD EFF:	90.2&89.5	3/4 LOAD EFF:	89.9	1/2 LOAD EFF:	91.4	GTD. EFF	89.5	ELEC. TYPE
FULL LOAD PF:	88&88.5	3/4 LOAD PF:	84.5	1/2 LOAD PF:	76			SQ CAGE INV RATED

F.L. TORQUE	LOCKED ROTOR AMPS	L.R. TORQUE	B.D. TORQUE	F.L. RISE°C
14.9 LB-FT	158 / 79	28 LB-FT 188 %	41 LB-FT 275 %	55

SOUND PRESSURE @ 3 FT.	SOUND POWER	ROTOR WK^2	MAX. WK^2	SAFE STALL TIME	STARTS / HOUR	APPROX. MOTOR WGT
72 DBA	82 DBA	0.6 LB-FT^2	18 LB-FT^2	15 SEC.	2	190 LBS.

***** SUPPLEMENTAL INFORMATION *****

DE BRACKET TYPE	ODE BRACKET TYPE	MOUNT TYPE	ORIENTATION	SEVERE DUTY	HAZARDOUS LOCATION	DRIIP COVER	SCREENS	PAINT
C-FACE	STANDARD	ROUND	HORIZONTAL	FALSE	NONE	FALSE	NONE	BLUE (ENAMEL)

BEARINGS		GREASE	SHAFT TYPE	SPECIAL DE	SPECIAL ODE	SHAFT MATERIAL	FRAME MATERIAL
DE BALL	ODE BALL	POLYREX EM	T	NONE	NONE	1045 HOT ROLLED (C-204)	ROLLED STEEL
6307	6206						

THERMO-PROTECTORS				THERMISTORS			SPACE HEATERS	
THERMOSTATS	PROTECTORS	WDG RTDS	BRG RTDS	NONE	FALSE	NONE	NONE	VOLTS
NONE	NOT	NONE	NONE					

* INVERTER	TORQUE: CONSTANT 20:1/VARIABLE 20:1
N INV. HP SPEED RANGE:	NONE
O ENCODER:	NONE
T NONE	NONE
E NONE	PPR
S BRAKE:	NONE
* NONE	P/N NONE
	NONE
	NONE
	FT-LB NONE V NONE HZ

PREPARED BY: Anusha Muthyala
DATE: 05/04/2018 03:26:12 AM
FORM 3531 REV.3 02/07/99
 ** Subject to change without notice.

MARATHON ELECTRIC CORPORATION

TYPICAL PERFORMANCE CURVE for AC MOTOR

Customer

Curve at

460

Volts

HP 10&7.5

PHASE 3

Model No 215TTFBD6004

60

HZ

VOLTS 230/460&190/380

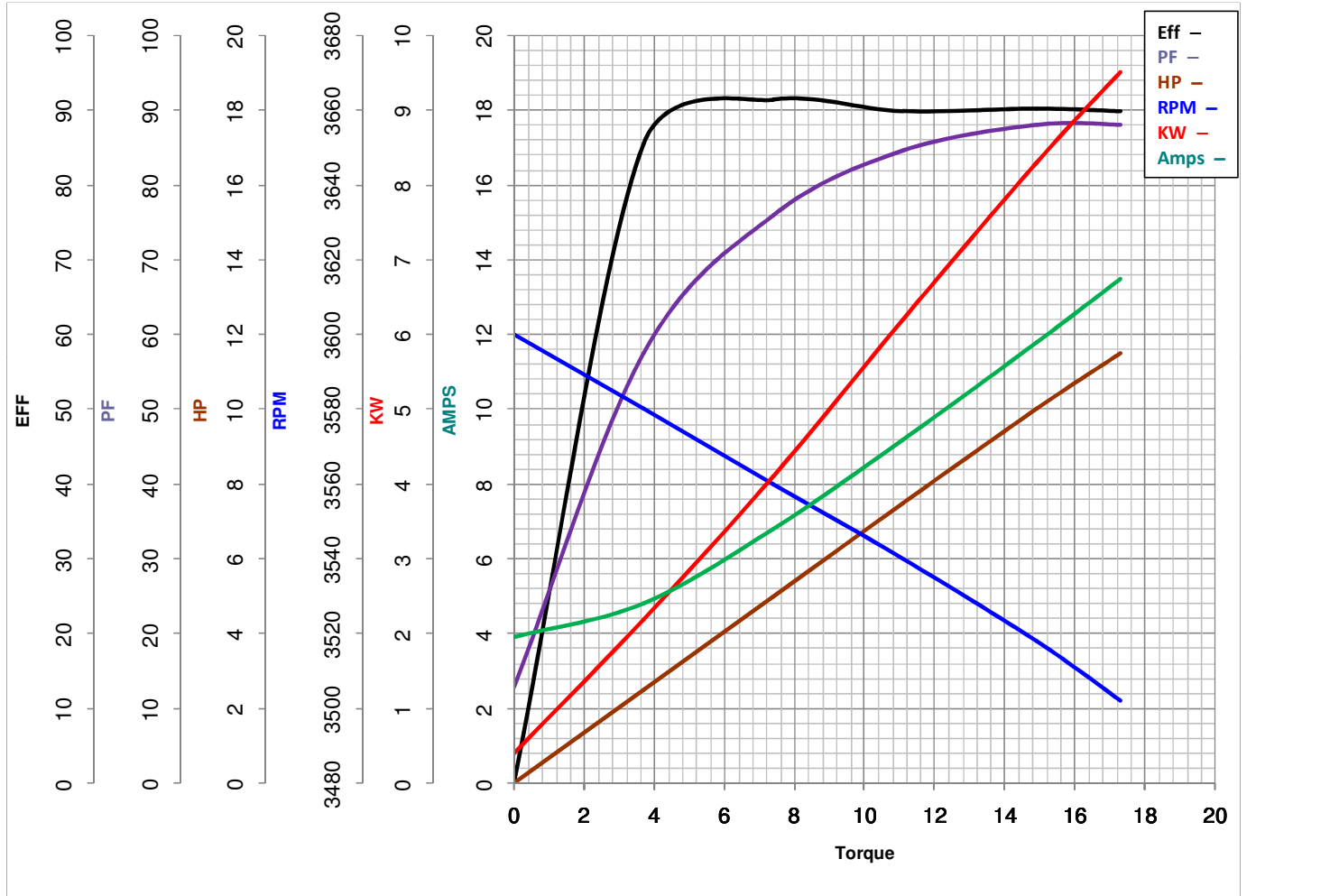
10

HP

Catalog No GT1318A

HZ 60&50

RPM 3518&2925



Torque in Lb.Ft

FL TORQUE 14.9 Lb.Ft
 BD TORQUE 41.0 Lb.Ft
 LR TORQUE 28 Lb.Ft

FL AMPS 23.6/11.8
 PU TORQUE 24.0 Lb.Ft
 LR AMPS 79

WINDING HE31322010-2 Prepared By ANUSHA M

Date 5/4/2018