

# PRODUCT INFORMATION PACKET

Model No: 215TTFBD6078  
Catalog No: GT1214A  
5,1200,TEFC,215TC,3/60/230/460  
Totally Enclosed Fan Cooled (TEFC)



Regal and Marathon are trademarks of Regal Beloit Corporation or one of its affiliated companies.  
©2018 Regal Beloit Corporation, All Rights Reserved. MC017097E



**Nameplate Specifications**

Output HP	<b>5 Hp</b>	Output KW	<b>3.7 kW</b>
Frequency	<b>60 Hz</b>	Voltage	<b>230/460 V</b>
Current	<b>13.6/6.8 A</b>	Speed	<b>1180 rpm</b>
Service Factor	<b>1.15</b>	Phase	<b>3</b>
Efficiency	<b>89.5 %</b>	Duty	<b>Continuous</b>
Insulation Class	<b>F</b>	Design Code	<b>B</b>
KVA Code	<b>J</b>	Frame	<b>215TC</b>
Enclosure	<b>Totally Enclosed Fan Cooled</b>	Overload Protector	<b>No</b>
Ambient Temperature	<b>40 °C</b>	Drive End Bearing Size	<b>6307</b>
Opp Drive End Bearing Size	<b>6206</b>	UL	<b>Recognized</b>
CSA	<b>Y</b>	CE	<b>Y</b>
IP Code	<b>43</b>		

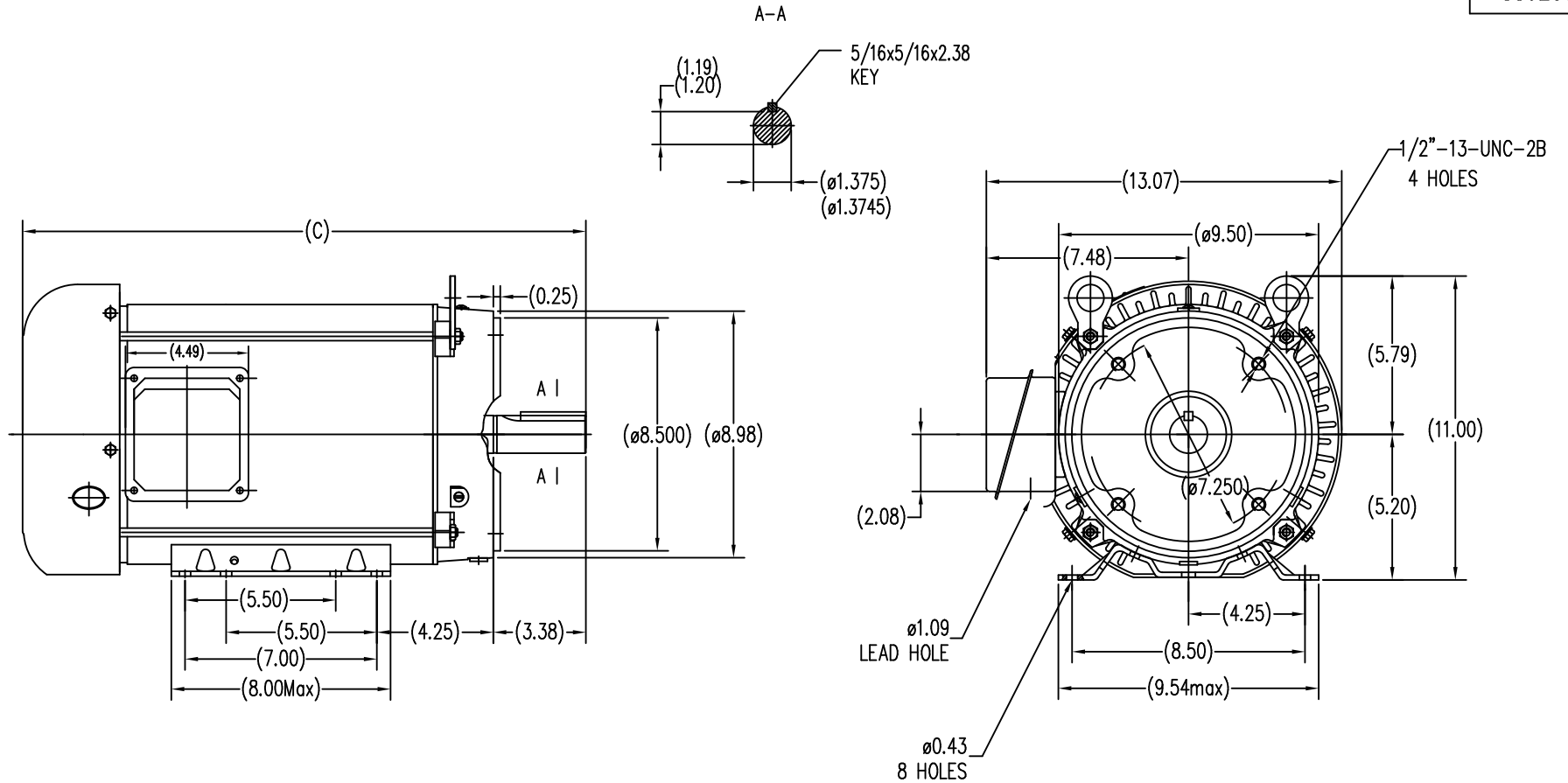
**Technical Specifications**

Electrical Type	<b>Squirrel Cage Inverter Rated</b>	Starting Method	<b>Line Or Inverter</b>
Poles	<b>6</b>	Rotation	<b>Reversible</b>
Mounting	<b>Rigid Base</b>	Motor Orientation	<b>Horizontal</b>
Drive End Bearing	<b>Ball</b>	Opp Drive End Bearing	<b>Ball</b>
Frame Material	<b>Rolled Steel</b>	Shaft Type	<b>T</b>
Overall Length	<b>20.70 in</b>	Frame Length	<b>11.15 in</b>
Shaft Diameter	<b>1.375 in</b>	Shaft Extension	<b>3.38 in</b>
Assembly/Box Mounting	<b>F1/F2 Capable</b>		
Outline Drawing	<b>SS620688-215TC</b>	Connection Diagram	<b>EE7308</b>

**This is an uncontrolled document once printed or downloaded and is subject to change without notice. Date Created: 10/08/2018**

# Uncontrolled Copy

SS620688

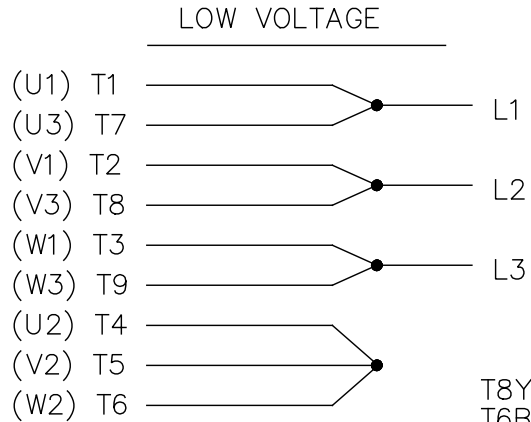
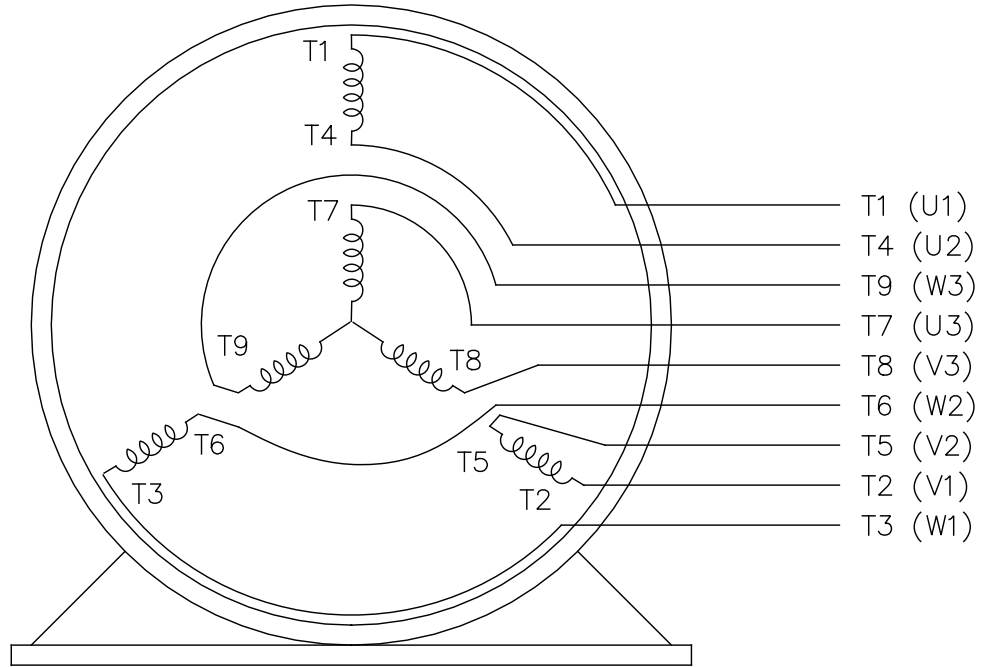
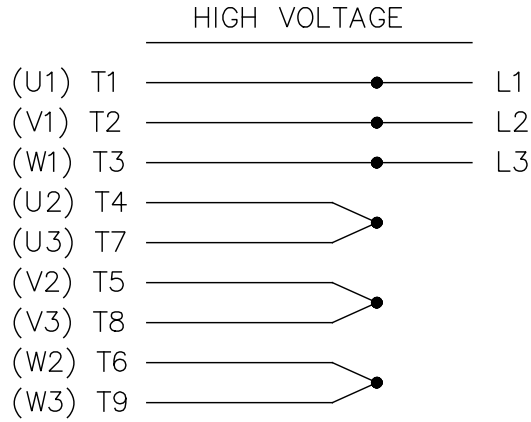


213TC	19.1
215TC	20.7
FRAME	C

		TOLERANCES UNLESS SPECIFIED		REGAL REGAL-BELOIT CORPORATION		DRAWN ZXW 06-03-2015	
		DEC.	INCHES			CHK ZL 06-03-2015	
		.X	±.1			APPD ZYH 06-03-2015	
		.XX	±.03	TITLE		SCALE	
		.XXX	±.005	213/215TC-Face		REF	
		.XXXX	±.0005	MATL.		FMF REGAL-WUXI	
NO.	REVISION	BY & DATE	CHK	ANG	±1/2"	FINISH	PREV
THIS DRAWING IN DESIGN AND DETAIL IS OUR PROPERTY AND MUST NOT BE USED EXCEPT IN CONNECTION WITH OUR WORK ALL RIGHTS OF DESIGN AND INVENTION ARE RESERVED THIS IS AN ELECTRONICALLY GENERATED DOCUMENT - DO NOT SCALE THIS PRINT				RFP	CAD FILE	SS620688	SIZE
				DIST			DRAWING NO.
							SS620688
							REV.
							2

EE7308

THREE PHASE  
DUAL VOLTAGE MOTOR



VIEW OF TERMINAL END

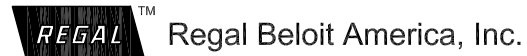
REF.  
WINDING DIAGRAM

T8Y, T2Y, T2BL, T4BX, T2EC, T2G  
T6BZ, T2B, T6BL, T4AV, T6B, T4B

OPTIONAL CORD  
CONNECTION

L1 — WHITE  
L2 — RED  
L3 — BLACK

NO.	REVISION	BY & DATE	CHK	ANG	TOLERANCES UNLESS SPECIFIED	FINISH	DRAWN RM	11/20/1990	
								DEC.	INCHES
5	CHG TO REGAL LOGO	SL 09/10/2015	AB					CHK	ML 11/21/1990
4	REVISED IEC NOTATIONS	MSG 11/15/2011	CMN	.X	±.1			APPD	SAS 04/24/2003
3	ADDED IEC NOTATIONS... (U1), (V1) ETC. MU95194	MSG 5/10/2010	MJS	.XX	±.02			SCALE	1=1
2	ADDED THE OPTIONAL CORD CONNECTION MU46318	RDH 04/24/2003	DRS	.XXX	±.005			REF	
1	REDRAWN	RM 11/20/1990		.XXXX	±.0005			FMP	
					±7'30"			PREV	
THIS DRAWING IN DESIGN AND DETAIL IS OUR PROPERTY AND MUST NOT BE USED EXCEPT IN CONNECTION WITH OUR WORK ALL RIGHTS OF DESIGN AND INVENTION ARE RESERVED THIS IS AN ELECTRONICALLY GENERATED DOCUMENT - DO NOT SCALE THIS PRINT						RFP	CAD FILE ee7308	SIZE	DRAWING NO. PAGE OF REV.
						DIST WP		A	EE7308 5



TITLE CONNECTION DIAGRAM  
3Ø - DUAL VOLTAGE MOTOR



**P.O. BOX 8003  
WAUSAU, WI 54401-8003  
PH. 715-675-3311**

**CERTIFICATION DATA SHEET**

**CUSTOMER:**  
**ORDER #:**  
**CONN. DIAGRAM:**  
**OUTLINE:**  
**WINDING #:**

**CUSTOMER PO #:**  
**MODEL #:**  
**CUSTOMER PART #:**  
**MOUNTING:**

**TYPICAL MOTOR PERFORMANCE DATA**

HP	KW	SYNC. RPM	F.L. RPM	FRAME	ENCLOSURE	KVA CODE	DESIGN
583	3.70&2.24	1200	1180&985	215TC	TEFC	J	B

PH	Hz	VOLTS	AMPS	START TYPE	DUTY	INSL	S.F.	AMB°C
3	60/50	230/460&190/380	13.6/6.8&10.6/5.3	LINE OR INVERTER	CONTINUOUS	F7	1.15/1.15	40

<b>FULL LOAD EFF:</b>	89.5&89	<b>3/4 LOAD EFF:</b>	89.5	<b>1/2 LOAD EFF:</b>	89	<b>GTD. EFF</b>	88.5	<b>ELEC. TYPE</b>
<b>FULL LOAD PF:</b>	77.5&72	<b>3/4 LOAD PF:</b>	72	<b>1/2 LOAD PF:</b>	61	<b>88.5</b>	<b>SQ CAGE INV RATED</b>	

F.L. TORQUE LB-FT	LOCKED ROTOR AMPS	L.R. TORQUE LB-FT	184 %	B.D. TORQUE LB-FT	280 %	F.L. RISE°C
22.3	96 / 48	41	184 %	62.5	280 %	45

SOUND PRESSURE @ 3 FT. DBA	SOUND POWER DBA	ROTOR WK^2 LB-FT^2	110	MAX. WK^2 LB-FT^2	25	SAFE STALL TIME SEC.	2	STARTS / HOUR	2	APPROX. MOTOR WGT LBS.	225
55	65	1.05	110	110	25	25	2	2	2	225	

**\*\*\* SUPPLEMENTAL INFORMATION \*\*\***

DE BRACKET TYPE	ODE BRACKET TYPE	MOUNT TYPE	ORIENTATION	SEVERE DUTY	HAZARDOUS LOCATION	DRIP COVER	SCREENS	PAINT
C-FACE	STANDARD	RIGID	HORIZONTAL	FALSE	NONE	FALSE	NONE	BLUE (ENAMEL)

BEARINGS DE ODE	GREASE	SHAFT TYPE	SPECIAL DE	SPECIAL ODE	SHAFT MATERIAL	FRAME MATERIAL
BALL BALL 6307 6206	POLYREX EM	T	NONE	NONE	1045 HOT ROLLED (C-204)	ROLLED STEEL

THERMO-PROTECTORS				THERMISTORS			SPACE HEATERS	
THERMOSTATS	PROTECTORS	WDG RTDS	BRG RTDS	NONE	FALSE	NONE	NONE	VOLTS
NONE	NOT	NONE	NONE	NONE	FALSE	NONE	NONE	

<b>INVERTER</b>	TORQUE: CONSTANT 20:1/VARIABLE 20:1
<b>INV. HP SPEED RANGE:</b>	NONE
<b>ENCODER:</b>	NONE
<b>NONE</b>	NONE
<b>NONE</b>	PPR
<b>BRAKE:</b>	NONE
<b>NONE</b>	P/N NONE
<b>NONE</b>	NONE
<b>NONE</b>	FT-LB NONE V NONE Hz

**PREPARED BY:** Anusha Muthyala  
**DATE:** 05/04/2018 12:25:06 AM  
**FORM 3531 REV.3 02/07/99**  
\*\* Subject to change without notice.

**MARATHON ELECTRIC CORPORATION**

TYPICAL PERFORMANCE CURVE for AC MOTOR

Customer

Curve at

460

Volts

HP 5&3

PHASE 3

Model No 215TTFB6078

60

HZ

VOLTS 230/460&190/380

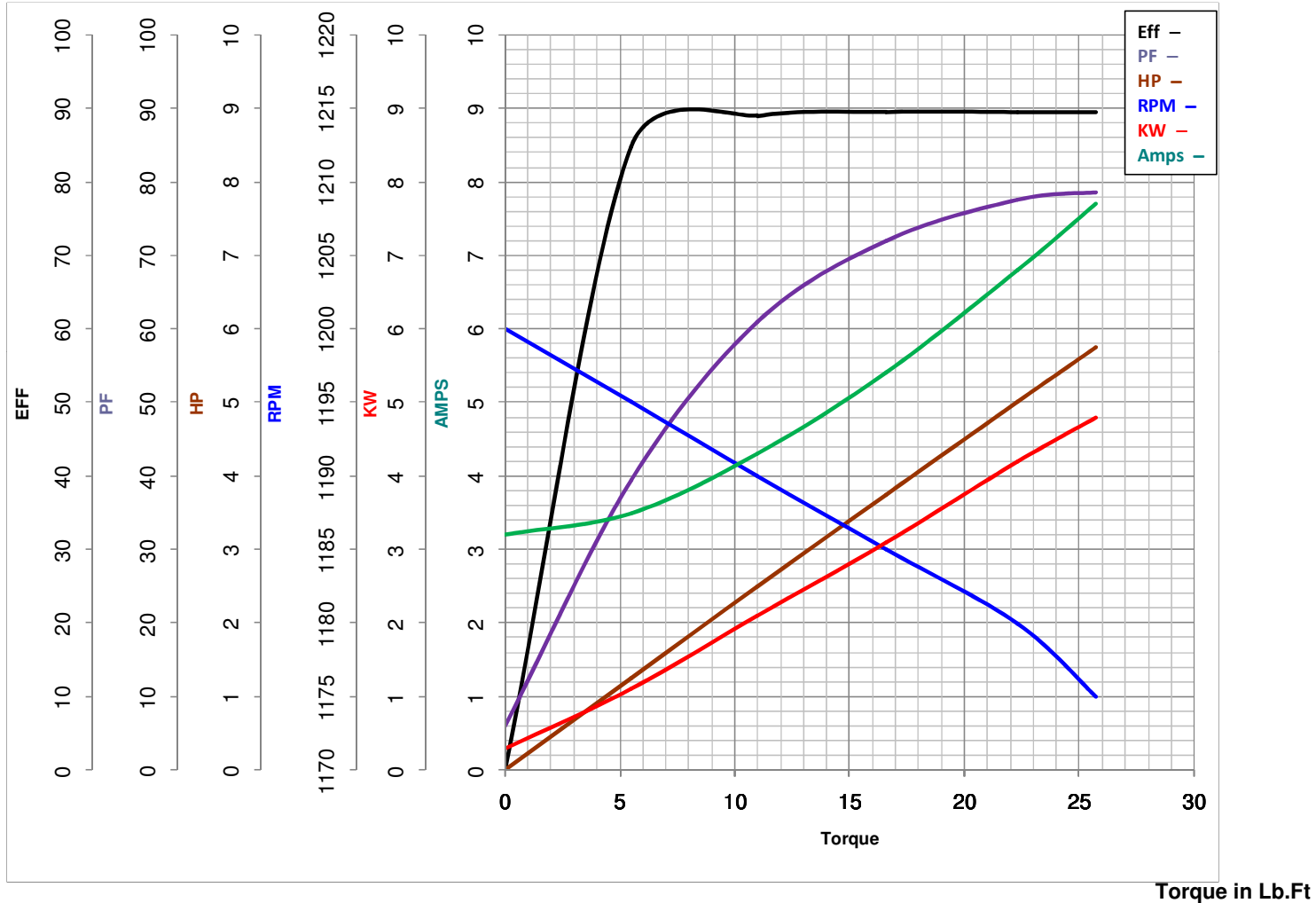
5

HP

Catalog No GT1214A

HZ 60&50

RPM 1180&985



Torque in Lb.Ft

FL TORQUE 22.3 Lb.Ft  
 BD TORQUE 62.5 Lb.Ft  
 LR TORQUE 41 Lb.Ft

FL AMPS 13.6/6.8  
 PU TORQUE 35.0 Lb.Ft  
 LR AMPS 48

WINDING HE31326015-2 Prepared By ANUSHA M

Date 5/4/2018