

# PRODUCT INFORMATION PACKET

Model No: 215TTFCD6001  
Catalog No: GT1018A  
10,3600,TEFC,215T,3/60/230/460  
Totally Enclosed Fan Cooled (TEFC)



Regal and Marathon are trademarks of Regal Beloit Corporation or one of its affiliated companies.  
©2018 Regal Beloit Corporation, All Rights Reserved. MC017097E



### Nameplate Specifications

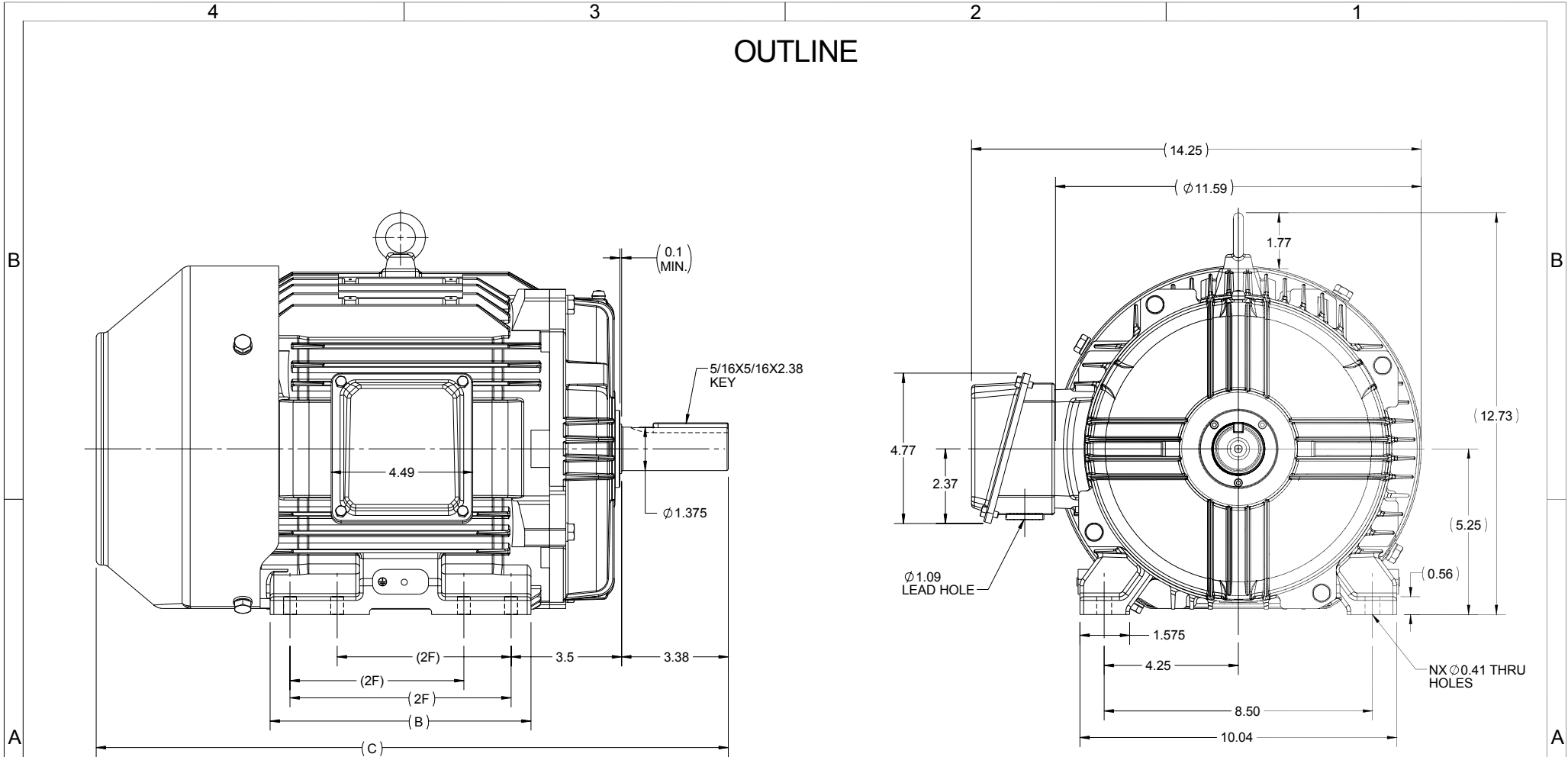
|                            |                                    |                        |                   |
|----------------------------|------------------------------------|------------------------|-------------------|
| Output HP                  | <b>10 Hp</b>                       | Output KW              | <b>7.5 kW</b>     |
| Frequency                  | <b>60 Hz</b>                       | Voltage                | <b>230/460 V</b>  |
| Current                    | <b>23.6/11.8 A</b>                 | Speed                  | <b>3518 rpm</b>   |
| Service Factor             | <b>1.15</b>                        | Phase                  | <b>3</b>          |
| Efficiency                 | <b>90.2 %</b>                      | Duty                   | <b>Continuous</b> |
| Insulation Class           | <b>F</b>                           | Design Code            | <b>B</b>          |
| KVA Code                   | <b>H</b>                           | Frame                  | <b>215T</b>       |
| Enclosure                  | <b>Totally Enclosed Fan Cooled</b> | Overload Protector     | <b>No</b>         |
| Ambient Temperature        | <b>40 °C</b>                       | Drive End Bearing Size | <b>6308</b>       |
| Opp Drive End Bearing Size | <b>6208</b>                        | UL                     | <b>Listed</b>     |
| CSA                        | <b>Y</b>                           | CE                     | <b>Y</b>          |
| IP Code                    | <b>55</b>                          |                        |                   |

### Technical Specifications

|                   |                                     |                       |                         |
|-------------------|-------------------------------------|-----------------------|-------------------------|
| Electrical Type   | <b>Squirrel Cage Inverter Rated</b> | Starting Method       | <b>Line Or Inverter</b> |
| Poles             | <b>2</b>                            | Rotation              | <b>Reversible</b>       |
| Mounting          | <b>Rigid base</b>                   | Motor Orientation     | <b>Horizontal</b>       |
| Drive End Bearing | <b>Ball</b>                         | Opp Drive End Bearing | <b>Ball</b>             |
| Frame Material    | <b>Cast Iron</b>                    | Shaft Type            | <b>T</b>                |
| Overall Length    | <b>20.03 in</b>                     | Shaft Diameter        | <b>1.375 in</b>         |
| Shaft Extension   | <b>3.38 in</b>                      | Assembly/Box Mounting | <b>F1/F2 Capable</b>    |
| Outline Drawing   | <b>SS620702-215</b>                 | Connection Diagram    | <b>A-EE7308</b>         |

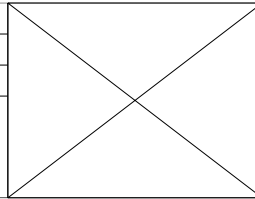
This is an uncontrolled document once printed or downloaded and is subject to change without notice. Date Created: 06/29/2018

# OUTLINE



|       |      |       |     |   |
|-------|------|-------|-----|---|
| 213T  | 6.76 | 18.53 | 5.5 | 4 |
| 215T  | 8.26 | 20.03 | 7.0 | 8 |
| FRAME | B    | C     | 2F  | N |

|   |                     |                    |
|---|---------------------|--------------------|
| DRAWING REVISION<br>B   | REVISION BY<br>UDAY | DATE<br>14/10/2015 |
| ECO<br>ECO-0087054  | APPROVED BY<br>SBD  | DATE<br>14/10/2015 |
| ECO DESCRIPTION<br>UPDATED DRAWING  |                     |                    |
| <small>COPYRIGHT REGAL BELOIT AMERICA, INC. ALL RIGHTS RESERVED.<br/>         PROPRIETARY AND CONFIDENTIAL INFORMATION - THIS DOCUMENT IS THE PROPERTY OF<br/>         REGAL BELOIT AMERICA, INC. ("OWNER") AND CONTAINS OWNER'S PROPRIETARY<br/>         INFORMATION. ANY PERSON, CORPORATION OR OTHER FIRM RECEIVING IT IS DEEMED,<br/>         BY RECEIVING IT, TO AGREE THAT IT, AND/OR ANY PART OF IT, SHALL NOT BE DISCLOSED<br/>         TO ANY PERSON, CORPORATION OR OTHER ENTITY, DUPLICATED, AND/OR USED, EXCEPT<br/>         AS EXPRESSLY APPROVED IN WRITING IN ADVANCE BY OWNER. THIS DOCUMENT SHALL<br/>         BE RETURNED TO OWNER UPON REQUEST. IT MAY BE SUBJECT TO CERTAIN<br/>         RESTRICTIONS UNDER APPLICABLE EXPORT CONTROL LAWS AND REGULATIONS.</small> |                     |                    |



|                           |
|---------------------------|
| DRAWN BY<br>JOY           |
| DATE<br>04/05/2015        |
| APPROVED BY<br>SBD        |
| DATE<br>04/05/2015        |
| REFERENCE                 |
| THIRD ANGLE<br>PROJECTION |

|   |                            |
|---|----------------------------|
| <b>REGAL-BELOIT CORPORATION</b>                             |                            |
| DESCRIPTION<br><h2>OUTLINE</h2> 213/215T FR TEFC- CAST IRON |                            |
| MATERIAL  | PROCESS/FINISH             |
| SIZE<br>B   | DRAWING NUMBER<br>SS620702 |
|   | SHEET<br>1 OF 1            |



| NO.  | REVISION                                       | BY & DATE      | CHK | ANG   | TOLERANCES<br>UNLESS SPECIFIED |        | FINISH  | DRAWN RM 11/20/1990 |        |                    |           |        |
|--|--|----------------|-----|-------|--------------------------------|--------|---|---------------------|--------|--------------------|-----------|--------|
|  |  |                |     |       | DEC.                           | INCHES |   |                     |        |                    |           |        |
| 5  | CHG TO REGAL LOGO                              | SL 09/10/2015  | AB  |       |                                |        |   | CHK ML 11/21/1990   |        |                    |           |        |
| 4  | REVISED IEC NOTATIONS                          | MSG 11/15/2011 | CMN | .X    | ±.1                            |        |   | APPD SAS 04/24/2003 |        |                    |           |        |
| 3  | ADDED IEC NOTATIONS... (U1), (V1) ETC. MU95194 | MSG 5/10/2010  | MJS | .XX   | ±.02                           |        |   | SCALE 1=1           |        |                    |           |        |
| 2  | ADDED THE OPTIONAL CORD CONNECTION MU46318     | RDH 04/24/2003 | DRS | .XXX  | ±.005                          |        | TITLE CONNECTION DIAGRAM<br>3Ø - DUAL VOLTAGE MOTOR | REF                 |        |                    |           |        |
| 1  | REDRAWN  | RM 11/20/1990  |     | .XXXX | ±.0005                         |        | MAT'L.  | FMF                 |        |                    |           |        |
|  |  |                |     |       | ±7'30"                         |        |   | PREV                |        |                    |           |        |
| THIS DRAWING IN DESIGN AND DETAIL IS OUR PROPERTY AND MUST NOT BE USED EXCEPT IN CONNECTION WITH OUR WORK ALL RIGHTS OF DESIGN AND INVENTION ARE RESERVED THIS IS AN ELECTRONICALLY GENERATED DOCUMENT - DO NOT SCALE THIS PRINT |  |                |     |       |                                |        | RFP   | CAD FILE ee7308     | SIZE A | DRAWING NO. EE7308 | PAGE OF 5 | REV. 5 |
|  |  |                |     |       |                                |        | DIST WP   |                     |        |                    |           |        |

**CERTIFICATION DATA SHEET**

**Model#:** 215TTFC6001 AA      **WINDING#:** HE31322010 NONE 2  
**CONN. DIAGRAM:** A-EE7308      **ASSEMBLY:** F1/F2 CAPABLE  
**OUTLINE:** B-SS620702

**TYPICAL MOTOR PERFORMANCE DATA**

| HP       | KW      | SYNC. RPM | F.L. RPM  | FRAME | ENCLOSURE | KVA CODE | DESIGN |
|----------|---------|-----------|-----------|-------|-----------|----------|--------|
| 10&7 1/2 | 7.5&5.6 | 3600      | 3518&2925 | 215T  | TEFC      | H        | B      |

| PH | Hz    | VOLTS               | FL AMPS                 | START TYPE          | DUTY           | INSL | S.F       | AMB°C | ELEVATION |
|----|-------|---------------------|-------------------------|---------------------|----------------|------|-----------|-------|-----------|
| 3  | 60/50 | 230/460#190/<br>380 | 23.6/11.8&21.<br>6/10.8 | LINE OR<br>INVERTER | CONTINUOU<br>S | F7   | 1.15/1.15 | 40    | 3300      |

| FULL LOAD EFF:<br>90.2&89.5 | 3/4 LOAD EFF: 89.9 | 1/2 LOAD EFF: 91.4 | GTD. EFF | ELEC. TYPE        | NO LOAD AMPS |
|-----------------------------|--------------------|--------------------|----------|-------------------|--------------|
| FULL LOAD PF:<br>89&88.5    | 3/4 LOAD PF: 84.5  | 1/2 LOAD PF: 76    | 89.5     | SQ CAGE INV RATED | 7.8 / 3.9    |

| F.L. TORQUE | LOCKED ROTOR AMPS | L.R. TORQUE  | B.D. TORQUE  | F.L. RISE°C |
|-------------|-------------------|--------------|--------------|-------------|
| 14.9 LB-FT  | 158 / 79          | 28 LB-FT 188 | 41 LB-FT 275 | 55          |

| SOUND PRESSURE<br>@ 3 FT. | SOUND POWER | ROTOR WK^2  | MAX. WK^2  | SAFE STALL TIME | STARTS<br>/HOUR | APPROX. MOTOR<br>WGT |
|---------------------------|-------------|-------------|------------|-----------------|-----------------|----------------------|
| 72 dBA                    | 82 dBA      | 0.6 LB-FT^2 | 18 LB-FT^2 | 15 SEC.         | 2               | 190 LBS.             |

**\*\*\* SUPPLEMENTAL INFORMATION \*\*\***

| DE BRACKET<br>TYPE | ODE BRACKET<br>TYPE | MOUNT<br>TYPE | ORIENTATION | SEVERE<br>DUTY | HAZARDOUS<br>LOCATION | DRIP<br>COVER | SCREENS | PAINT            |
|--------------------|---------------------|---------------|-------------|----------------|-----------------------|---------------|---------|------------------|
| STANDARD           | STANDARD            | RIGID         | HORIZONTAL  | FALSE          | NONE                  | FALSE         | NONE    | BLUE<br>(ENAMEL) |

| BEARINGS |      | GREASE     | SHAFT TYPE | SPECIAL DE | SPECIAL ODE | SHAFT<br>MATERIAL          | FRAME<br>MATERIAL |
|----------|------|------------|------------|------------|-------------|----------------------------|-------------------|
| DE       | OPE  |            |            |            |             |                            |                   |
| BALL     | BALL | POLYREX EM | T          | NONE       | NONE        | 1045 HOT<br>ROLLED (C-204) | CAST IRON         |
| 6307     | 6206 |            |            |            |             |                            |                   |

| THERMO-PROTECTORS |            |          |          | THERMISTORS | CONTROL | SPACE /n HEATERS |
|-------------------|------------|----------|----------|-------------|---------|------------------|
| THERMOSTATS       | PROTECTORS | WDG RTDs | BRG RTDs |             |         |                  |
| NONE              | NOT        | NONE     | NONE     | NONE        | FALSE   | NONE VOLTS       |

If Inverter equals NONE, contact factory for further information

|                                |
|--------------------------------|
| INVERTER TORQUE: VARIABLE 10:1 |
| INV. HP SPEED RANGE: NONE      |
| ENCODER: NONE                  |
| NONE NONE                      |
| NONE NONE PPR                  |
| BRAKE: NONE NONE               |
| NONE P/N NONE                  |
| NONE NONE                      |
| NONE FT-LB NONE V NONE Hz      |

\*  
N  
O  
T  
E  
S  
\*

DATE: 07/03/2017 02:39:14 AM  
 FORM 3531 REV.3 02/07/99

\*\* Subject to change without notice.