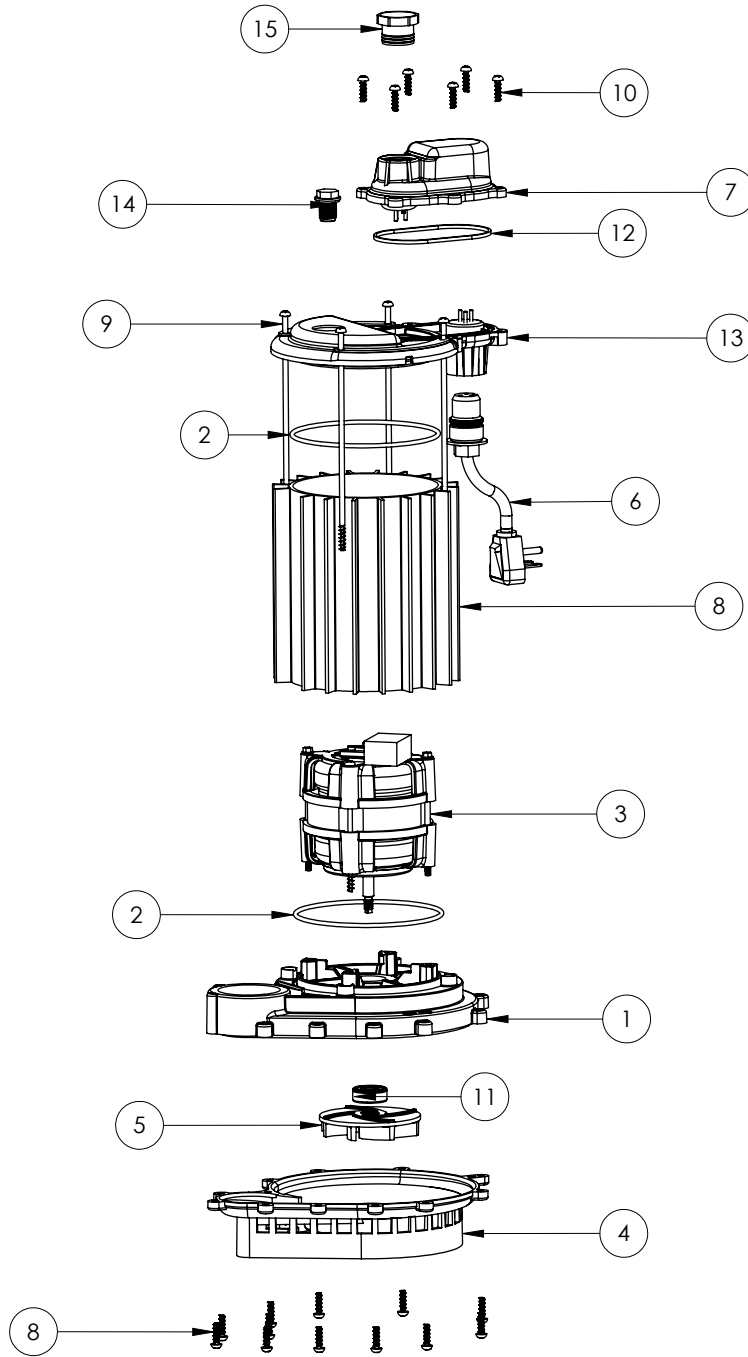


404HV-CNP (B88)



**404HV-CNP****404HV-CNP (B88)**

#	PART #	DESCRIPTION	QTY	Note
1	23310AB	MOTOR SUPPORT PLATE	1	[1]
2	2357000	O-RING	2	[1]
3	2421200	MOTOR	1	[1]
4	233600B	BASE WITH VOLUTE ASSEMBLY	1	
5	K001331	IMPELLER	1	
6	K001058	POWER CORD, 10FT. 230V	1	
7	240700B	CHAMBER COVER	1	
8	230700B	MOTOR HOUSING EXTRUDED ALUMINUM	1	[1]
9	8042200	#10 x 6-1/2 STAINLESS STEEL SCREW	4	[1]
10	8104200	#10 HILO X 5/8" STAINLESS STEEL SCREW	18	
11	K001254	3043000 5/16" SHAFT SEAL	1	[1]
12	K001046	SEALRING, CHAMBER COVER	1	
13	240600B	MOTOR COVER	1	
14	8089000	OIL PLUG, O-RING ASSEMBLY	1	
15	8105000	PROTECTIVE CAP	1	

**PART NOTES:**

[1] - Part requires factory authorized service. Contact Liberty Pumps at 1-800-543-2550