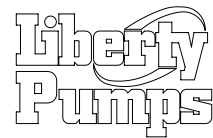
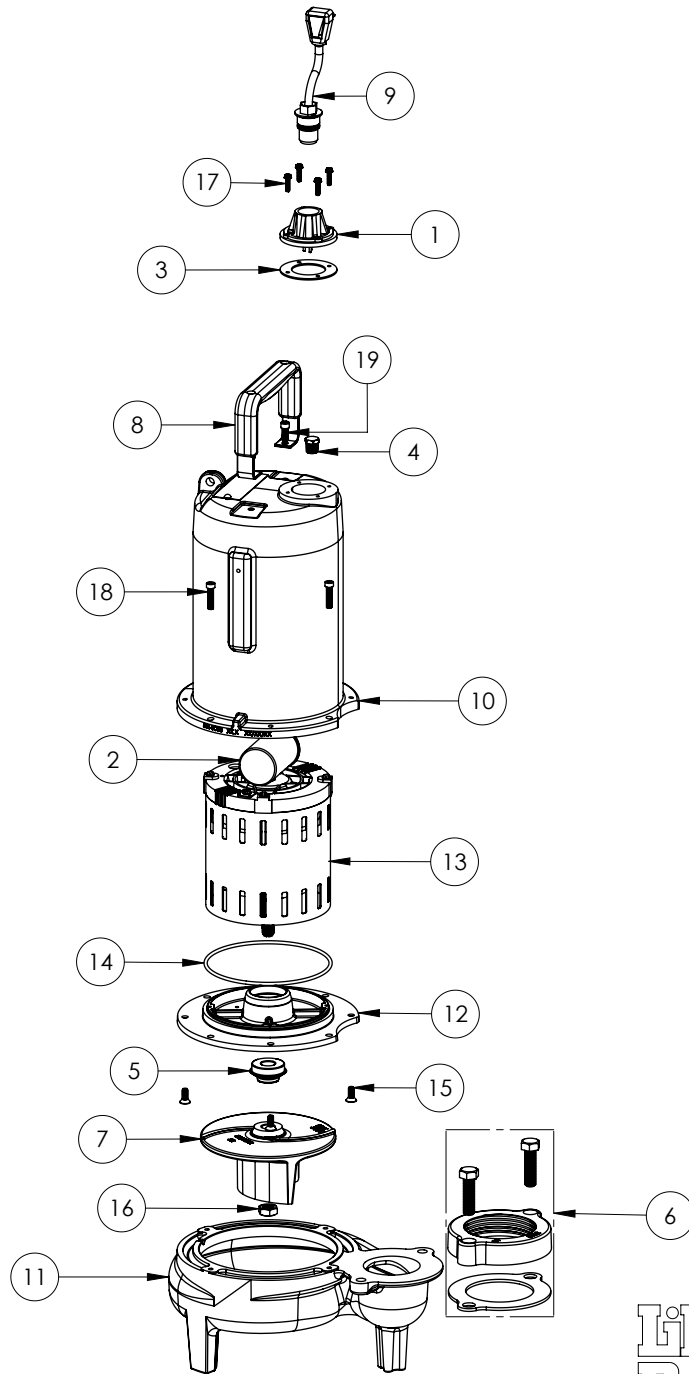


LE102M3-3 (B71)



LE102M3-3**LE102M3-3 (B71)**

#	PART #	DESCRIPTION	QTY	Note
1	K001216	5619000, CORDPLATE	4	
2	51190F0	CAPACITOR	1	
3	5060000	CORD PLATE GASKET	1	
4	5071000	BRASS OIL PLUG	1	
5	K001717	KIT, 5/8 UNITIZED 5120000 AND LIP SEAL 5860000	1	
6	K001222	3" DISCHARGE KIT	1	
7	K001486	5131000 IMPELLER KIT, INCLUDES 1/2" JAM NUT	1	
8	K001095	STAINLESS STEEL HANDLE	1	
9	K001356	POWER CORD, 35FT.	1	
10	531400R	MOTOR COVER	1	[1]
11	531500R	VOLUTE HOUSING	1	
12	53260AR	MOTOR PLATE	1	
13	5343200	MOTOR 1HP 230V ADDFULL (KIT, MTR REPLACE K001820)	1	
14	5617000	O-RING	1	
15	8018000	1/4-20 x 5/8 SLOTTED FLAT HEAD BOLT	4	
16	8046000	1/2-20 HEX STAINLESS STEEL JAM NUT	1	
17	8064000	#8-32 x 5/8 HEX WASHER HEAD SCREW	4	
18	8091000	1/4-20 x 1 HEX SOCKET HEAD BOLT	4	
19	8103000	SCREW 1/4-20x5/8" HX SKT SS	2	

PART NOTES:

[1] - Part requires factory authorized service. Contact Liberty Pumps at 1-800-543-2550