

PRODUCT INFORMATION PACKET

marathon[®]
Motors

Model No: 254TTDBD6001
Catalog No: GT0061
20,3600,DP,254T,3/60/230/460
Open Drip Proof (ODP)



Regal and Marathon are trademarks of Regal Beloit Corporation or one of its affiliated companies.
©2018 Regal Beloit Corporation, All Rights Reserved. MC017097E

REGAL[®]



Nameplate Specifications

Output HP	20 Hp	Output KW	14.9 kW
Frequency	60 Hz	Voltage	230/460 V
Current	48.0/24.0 A	Speed	3552 rpm
Service Factor	1.15	Phase	3
Efficiency	91 %	Duty	Continuous
Insulation Class	F	Design Code	B
KVA Code	F	Frame	254T
Enclosure	Drip Proof	Overload Protector	No
Ambient Temperature	40 °C	Drive End Bearing Size	6209
Opp Drive End Bearing Size	6208	UL	Recognized
CSA	Y	CE	Y
IP Code	22		

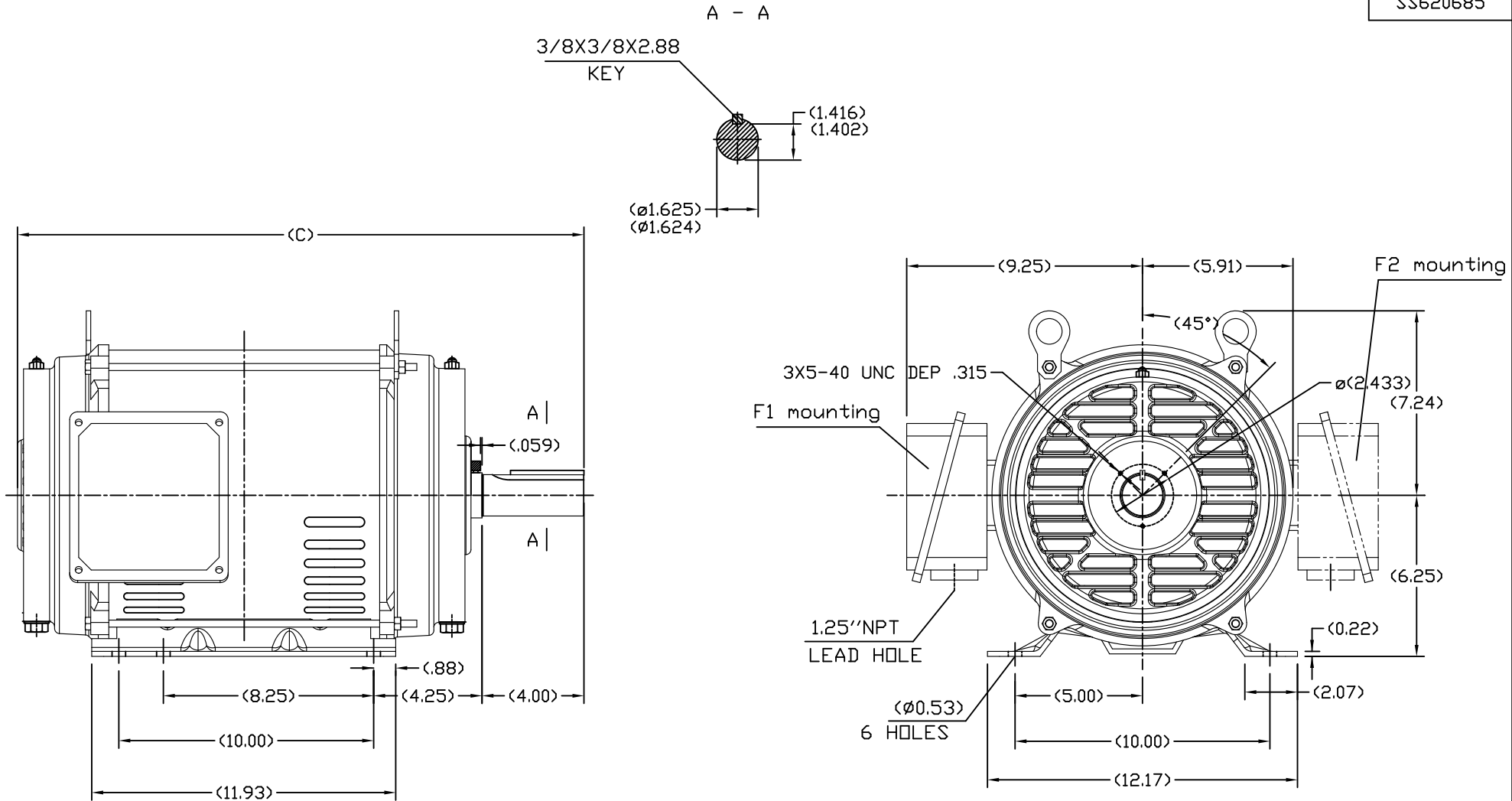
Technical Specifications

Electrical Type	Squirrel Cage Inverter Rated	Starting Method	Line Or Inverter
Poles	2	Rotation	Reversible
Mounting	Rigid base	Motor Orientation	Horizontal
Drive End Bearing	Ball	Opp Drive End Bearing	Ball
Frame Material	Rolled Steel	Shaft Type	T
Frame Length	10.62 in	Shaft Diameter	1.625 in
Shaft Extension	4 in	Assembly/Box Mounting	F1/F2 Capable
Outline Drawing	SS620685	Connection Diagram	EE7308K

This is an uncontrolled document once printed or downloaded and is subject to change without notice. Date Created: 07/02/2018

Uncontrolled Copy

SS620685



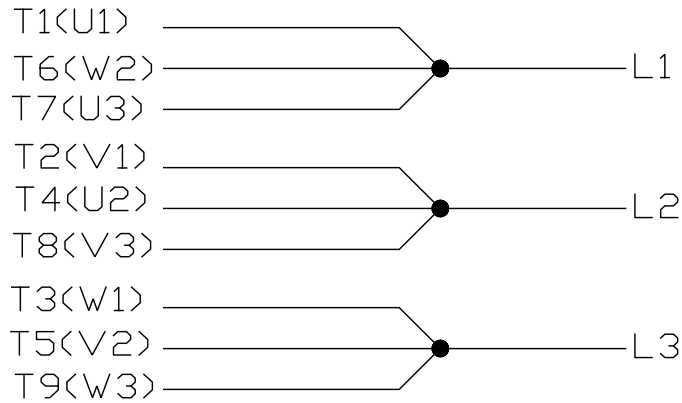
254T	22.64
256T	24.22
FRAME	C

		TOLERANCES UNLESS SPECIFIED		DRAWN Xiaowei Zhu	
		DEC.	INCHES	CHK	
		.X	±.1	APPD	
		.XX	±.03	SCALE	
		.XXX	±.005	REF	
		.XXXX	±.0005	FMF REGAL-VUXI	
NO.	REVISION	BY & DATE	CHK	ANG	±1/2°
		RFP		FINISH	
		DIST		CAD FILE	SS620685
				SIZE	DRAWING NO.
				B	SS620685
				REV.	2

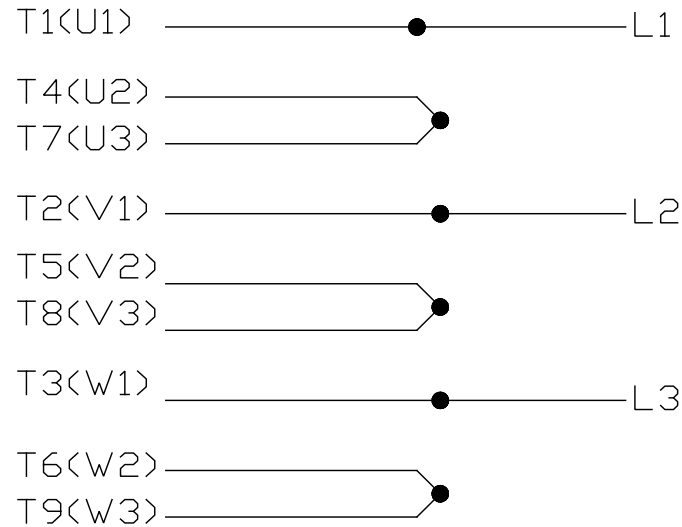
TITLE: OUTLINE
254/256T ODP-ROLLED STEEL

MAT'L:

LOW VOLTAGE



HIGH VOLTAGE



VIEW OF TERMINAL END

				TOLERANCES UNLESS SPECIFIED		 REGAL - BELOIT CORPORATION	DRAWN PGK 06-04-1997						
NO.	REVISION	BY & DATE	CHK	ANG	±		UNIT	CHK	ML 06-05-1997				
E	CORRECTED IEC MARKINGS ECD-0111208	WGJ 01-23-2017	EMH	DEC.		INCHES							
D	RE-DRAWN WITH REGAL LOGO ECD-0110493	WGJ 09-30-2016	EMH	.X	±.1			APPD GK 06-15-1997					
8	ADDED IEC DESIGNATIONS MU95020	TJW 4/30/2010	MJS	.XX	±.02		TITLE	SCALE					
7	REVISED HIGH VOLTAGE L2 WAS L3 CN52600-354	MRB 09-21-1998		.XXX	±.005		CONNECTION DIAGRAM	REF					
6	REDRAWN ON CADD	PGK 06-05-1997		.XXXX	±.0005		DELTA CON. - 3Ø - 9 LEADS	FMF					
					±7'30"		MAT'L.	PREV					
							FINISH						
THIS DRAWING IN DESIGN AND DETAIL IS OUR PROPERTY AND MUST NOT BE USED EXCEPT IN CONNECTION WITH OUR WORK ALL RIGHTS OF DESIGN AND INVENTION ARE RESERVED THIS IS AN ELECTRONICALLY GENERATED DOCUMENT - DO NOT SCALE THIS PRINT							RFP	CAD FILE EE7308K	SIZE	DRAWING NO.	PAGE	OF	REV.
							DIST		A	EE7308K			E



**P.O. BOX 8003
WAUSAU, WI 54401-8003
PH. 715-675-3311**

CERTIFICATION DATA SHEET

CUSTOMER: CUSTOMER PO #:
ORDER #: MODEL #: 254TTDDBD6001 AA
CONN. DIAGRAM: EE7308K CUSTOMER PART #:
OUTLINE: SS620685 MOUNTING: F1/F2 CAPABLE
WINDING #: HE31602015 2

TYPICAL MOTOR PERFORMANCE DATA

HP	KW	SYNC. RPM	F.L. RPM	FRAME	ENCLOSURE	KVA CODE	DESIGN	
20815	14.9&11.2	3600	3552&2958	254T	DP	F	B	
PH	Hz	VOLTS	AMPS	START TYPE	DUTY	INSL	S.F.	AMB°C
3	60/50	230/460&190/380	48/24&45/22.5	LINE OR INVERTER	CONTINUOUS	F7	1.15/1.15	40

FULL LOAD EFF:	91&891	3/4 LOAD EFF:	91	1/2 LOAD EFF:	90.6	GTD. EFF	90.2	ELEC. TYPE
FULL LOAD PF:	85.5&84.5	3/4 LOAD PF:	80.5	1/2 LOAD PF:	69.5	SQ CAGE INV RATED		
F.L. TORQUE LB-FT	LOCKED ROTOR AMPS	L.R. TORQUE LB-FT	176 %	B.D. TORQUE LB-FT	250 %	F.L. RISE°C		
29.6	274 / 137	52	74	15	3	45		

SOUND PRESSURE @ 3 FT. DBA	SOUND POWER DBA	ROTOR WK^2 LB-FT^2	MAX. WK^2 LB-FT^2	SAFE STALL TIME SEC.	STARTS / HOUR	APPROX. MOTOR WGT LBS.
75	85	1.1	-	15	3	300

***** SUPPLEMENTAL INFORMATION *****

DE BRACKET TYPE	ODE BRACKET TYPE	MOUNT TYPE	ORIENTATION	SEVERE DUTY	HAZARDOUS LOCATION	DRIP COVER	SCREENS	PAINT
STANDARD	STANDARD	RIGID	HORIZONTAL	FALSE	NONE	FALSE	NONE	BLUE (ENAMEL)
BEARINGS DE ODE	GREASE	SHAFT TYPE	SPECIAL DE	SPECIAL ODE	SHAFT MATERIAL	FRAME MATERIAL		
BALL BALL 6209 6208	POLYREX EM	T	NONE	NONE	1045 HOT ROLLED (C-204)	ROLLED STEEL		

THERMO-PROTECTORS				THERMISTORS			SPACE HEATERS	
THERMOSTATS	PROTECTORS	WDG RTDS	BRG RTDS	NONE	FALSE	NONE	NONE	VOLTS
NONE	NOT	NONE	NONE	NONE	FALSE	NONE	NONE	

* INVERTER	TORQUE: CONSTANT 2:1/VARIABLE 20:1
N INV. HP SPEED RANGE: NONE	
O ENCODER: NONE	
T NONE	PPR
E NONE	P/N NONE
S NONE	FT-LB NONE V NONE HZ

PREPARED BY: Anusha Muthyala
DATE: 05/04/2018 03:17:41 AM
FORM 3531 REV.3 02/07/99
 ** Subject to change without notice.

MARATHON ELECTRIC CORPORATION

TYPICAL PERFORMANCE CURVE for AC MOTOR

Customer

Curve at

460

Volts

HP 20&15

PHASE 3

Model No 254TTDBD6001

60

HZ

VOLTS 230/460&190/380

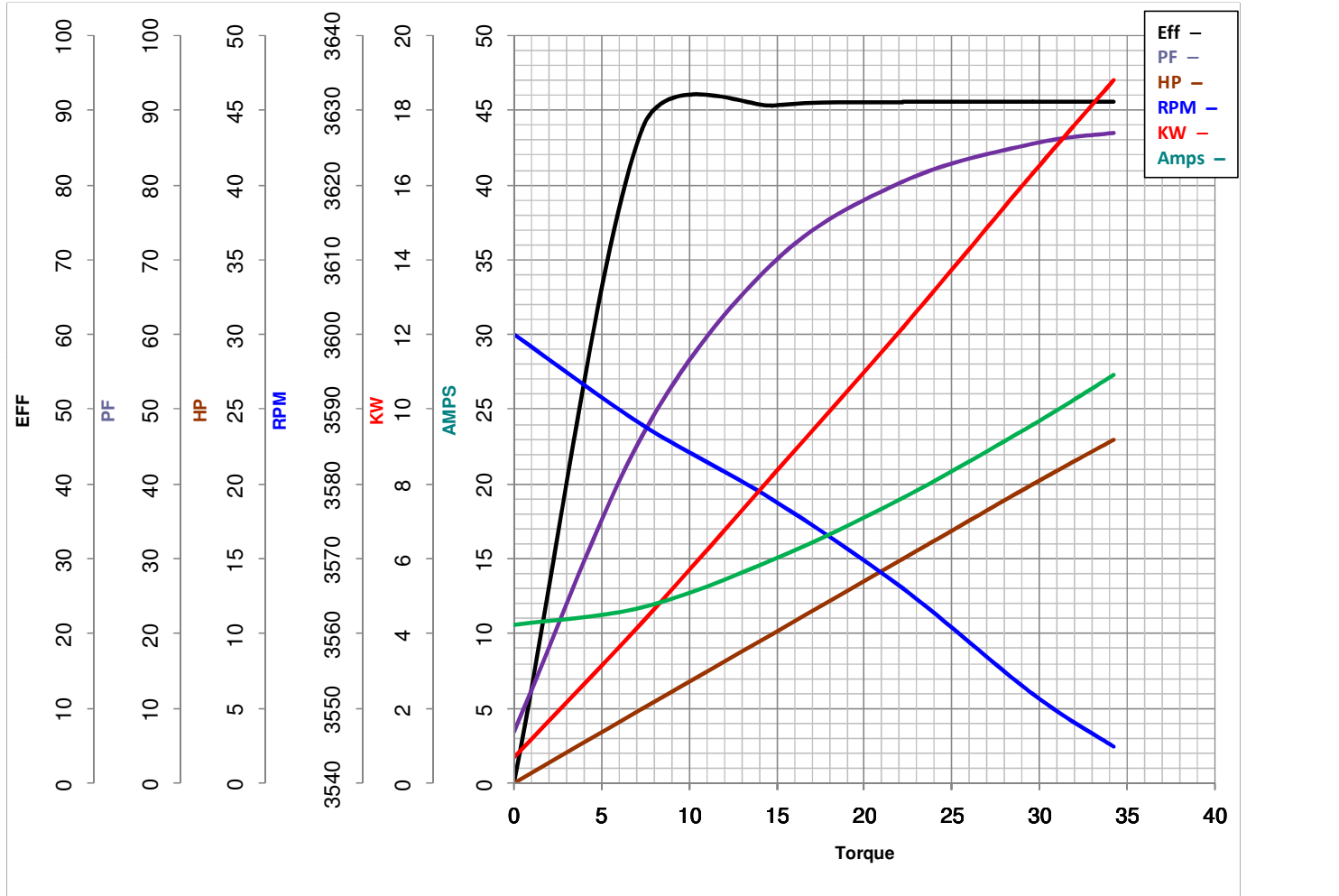
20

HP

Catalog No GT0061

HZ 60&50

RPM 3552&2958



Torque in Lb.Ft

FL TORQUE 29.6 Lb.Ft
 BD TORQUE 74.0 Lb.Ft
 LR TORQUE 52 Lb.Ft

FL AMPS 48/24
 PU TORQUE 44.0 Lb.Ft
 LR AMPS 137

WINDING HE31602015-2 Prepared By ANUSHA M

Date 5/4/2018