

PRODUCT INFORMATION PACKET

marathon[®]
Motors

Model No: 254TTDBD6076
Catalog No: GT0057
7.5, 1200, DP, 254T, 3/60/230/460
Open Drip Proof (ODP)



Regal and Marathon are trademarks of Regal Beloit Corporation or one of its affiliated companies.
©2018 Regal Beloit Corporation, All Rights Reserved. MC017097E

REGAL[®]



Nameplate Specifications

Output HP	7.50 Hp	Output KW	5.6 kW
Frequency	60 Hz	Voltage	230/460 V
Current	20.2/10.1 A	Speed	1182 rpm
Service Factor	1.15	Phase	3
Efficiency	90.2 %	Duty	Continuous
Insulation Class	F	Design Code	B
KVA Code	H	Frame	254T
Enclosure	Drip Proof	Overload Protector	No
Ambient Temperature	40 °C	Drive End Bearing Size	6309
Opp Drive End Bearing Size	6208	UL	Recognized
CSA	Y	CE	Y
IP Code	22		

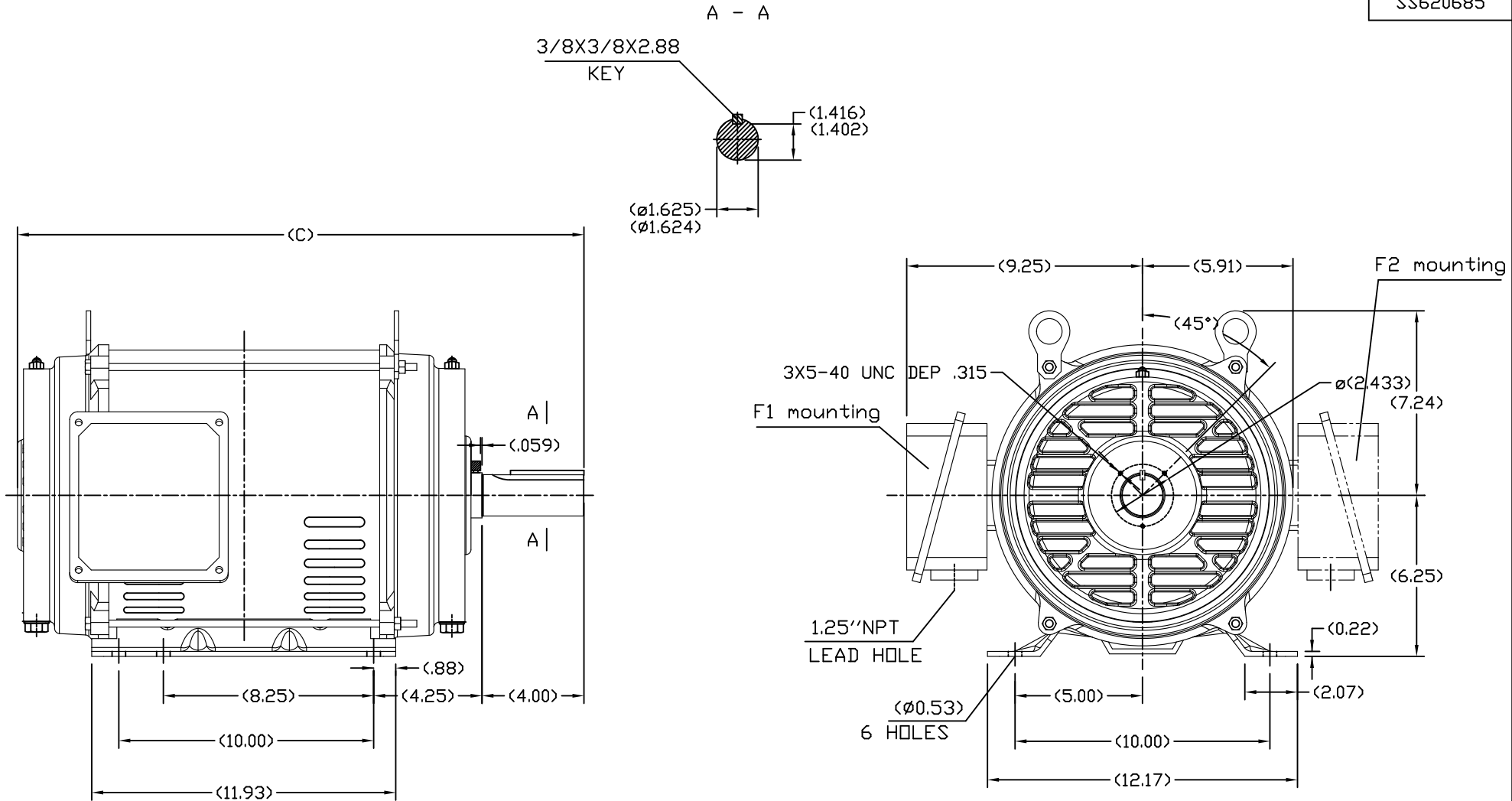
Technical Specifications

Electrical Type	Squirrel Cage Inverter Rated	Starting Method	Line Or Inverter
Poles	6	Rotation	Reversible
Mounting	Rigid base	Motor Orientation	Horizontal
Drive End Bearing	Ball	Opp Drive End Bearing	Ball
Frame Material	Rolled Steel	Shaft Type	T
Frame Length	10.62 in	Shaft Diameter	1.625 in
Shaft Extension	4 in	Assembly/Box Mounting	F1/F2 Capable
Outline Drawing	SS620685	Connection Diagram	EE7308K

This is an uncontrolled document once printed or downloaded and is subject to change without notice. Date Created: 07/02/2018

Uncontrolled Copy

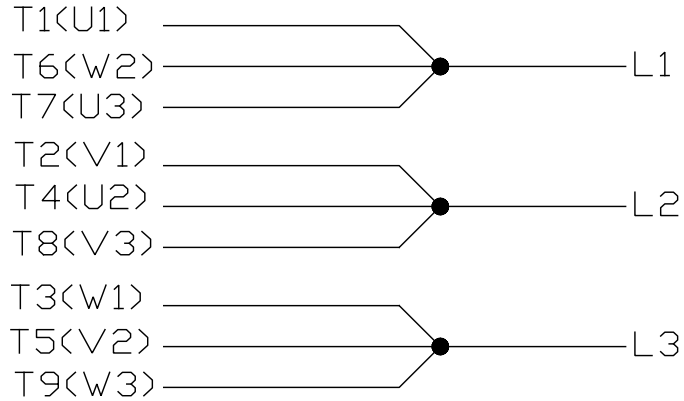
SS620685



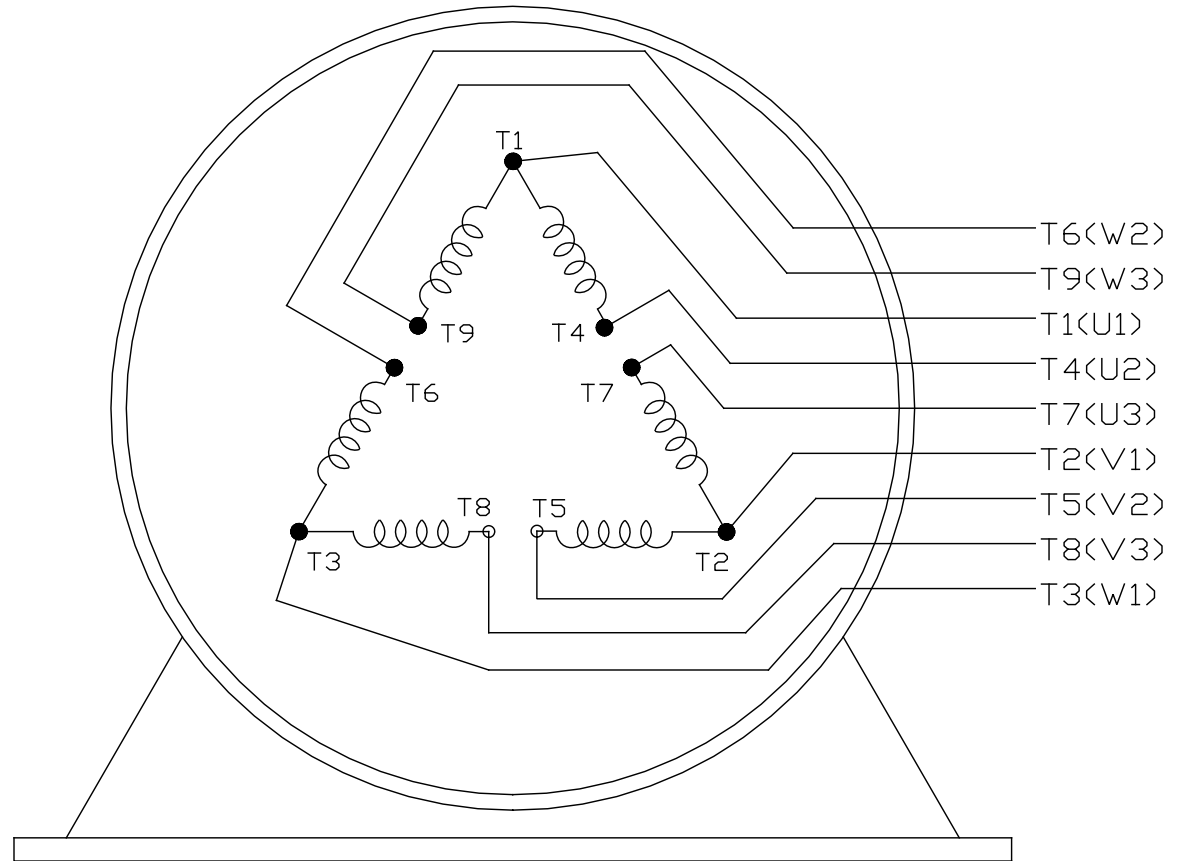
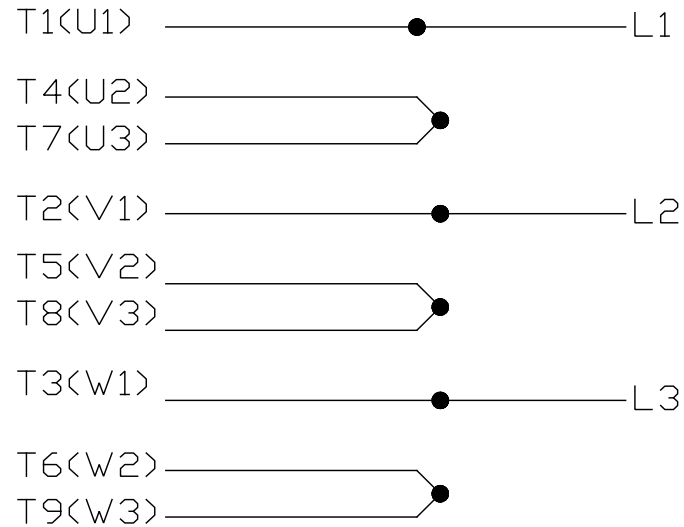
254T	22.64
256T	24.22
FRAME	C

		TOLERANCES UNLESS SPECIFIED		REGAL REGAL-BELOIT CORPORATION		DRAWN	Xiaowei Zhu
		DEC.	INCHES			CHK	
		.X	±.1	TITLE		APPD	
		.XX	±.03	OUTLINE		SCALE	
		.XXX	±.005	254/256T ODP-ROLLED STEEL		REF	
		.XXXX	±.0005	MAT'L.		FMF	REGAL-VUXI
NO.	REVISION	BY & DATE	CHK	ANG	±1/2°	FINISH	PREV
			RFP			CAD FILE	SS620685
			DIST			SIZE	DRAWING NO.
						B	SS620685
							REV.
							2


LOW VOLTAGE



HIGH VOLTAGE



VIEW OF TERMINAL END

				TOLERANCES UNLESS SPECIFIED		 REGAL - BELOIT CORPORATION	DRAWN PGK 06-04-1997						
NO.	REVISION	BY & DATE	CHK	ANG	±		UNIT	CHK	ML 06-05-1997				
E	CORRECTED IEC MARKINGS ECD-0111208	WGJ 01-23-2017	EMH	DEC.		INCHES							
D	RE-DRAWN WITH REGAL LOGO ECD-0110493	WGJ 09-30-2016	EMH	.X	±.1			APPD GK 06-15-1997					
8	ADDED IEC DESIGNATIONS MU95020	TJW 4/30/2010	MJS	.XX	±.02		TITLE	SCALE					
7	REVISED HIGH VOLTAGE L2 WAS L3 CN52600-354	MRB 09-21-1998		.XXX	±.005		CONNECTION DIAGRAM	REF					
6	REDRAWN ON CADD	PGK 06-05-1997		.XXXX	±.0005		DELTA CON. - 3Ø - 9 LEADS	FMF					
							MAT'L.	PREV					
							FINISH						
THIS DRAWING IN DESIGN AND DETAIL IS OUR PROPERTY AND MUST NOT BE USED EXCEPT IN CONNECTION WITH OUR WORK ALL RIGHTS OF DESIGN AND INVENTION ARE RESERVED THIS IS AN ELECTRONICALLY GENERATED DOCUMENT - DO NOT SCALE THIS PRINT							RFP	CAD FILE EE7308K	SIZE	DRAWING NO.	PAGE	OF	REV.
							DIST		A	EE7308K			E



**P.O. BOX 8003
WAUSAU, WI 54401-8003
PH. 715-675-3311**

CERTIFICATION DATA SHEET

CUSTOMER PO #:
MODEL #: 254TTDDBD6076 AA
CUSTOMER PART #:

CONN. DIAGRAM: EE7308K
OUTLINE: SS620685
WINDING #: HE31606009 2
MOUNTING: F1/F2 CAPABLE

TYPICAL MOTOR PERFORMANCE DATA

HP	KW	SYNC. RPM	F.L. RPM	FRAME	ENCLOSURE	KVA CODE	DESIGN	
7 1/285	5.6083.70	1200	1182&8984	254T	DP	H	B	
PH	HZ	VOLTS	AMPS	START TYPE	DUTY	INSL	S.F.	AMB° C
3	60/50	230/460&190/380	20.2/10.1&17.6/8.8	LINE OR INVERTER	CONTINUOUS	F7	1.15/1.15	40

FULL LOAD EFF:	90.2&89.5	3/4 LOAD EFF:	90.2	1/2 LOAD EFF:	88.5	GTD. EFF	89.5	ELEC. TYPE
FULL LOAD PF:	77&73	3/4 LOAD PF:	70	1/2 LOAD PF:	58	SQ CAGE INV RATED		

F.L. TORQUE LB-FT	LOCKED ROTOR AMPS	L.R. TORQUE LB-FT	198 %	B.D. TORQUE LB-FT	254 %	F.L. RISE° C
33.4	120 / 60	66		85		40

SOUND PRESSURE @ 3 FT. DBA	SOUND POWER	ROTOR WK^2 LB-FT^2	MAX. WK^2 LB-FT^2	SAFE STALL TIME SEC.	STARTS / HOUR	APPROX. MOTOR WGT LBS.
62	72	2.4	150	15	2	225

***** SUPPLEMENTAL INFORMATION *****

DE BRACKET TYPE	ODE BRACKET TYPE	MOUNT TYPE	ORIENTATION	SEVERE DUTY	HAZARDOUS LOCATION	DRIP COVER	SCREENS	PAINT
STANDARD	STANDARD	RIGID	HORIZONTAL	FALSE	NONE	FALSE	NONE	BLUE (ENAMEL)

BEARINGS DE ODE	GREASE	SHAFT TYPE	SPECIAL DE	SPECIAL ODE	SHAFT MATERIAL	FRAME MATERIAL
BALL BALL 6309 6208	POLYREX EM	T	NONE	NONE	1045 HOT ROLLED (C-204)	ROLLED STEEL

THERMO-PROTECTORS				THERMISTORS		
THERMOSTATS	PROTECTORS	WDG RTDS	BRG RTDS	CONTROL	SPACE HEATERS	VOLTS
NONE	NOT	NONE	NONE	NONE	FALSE	NONE

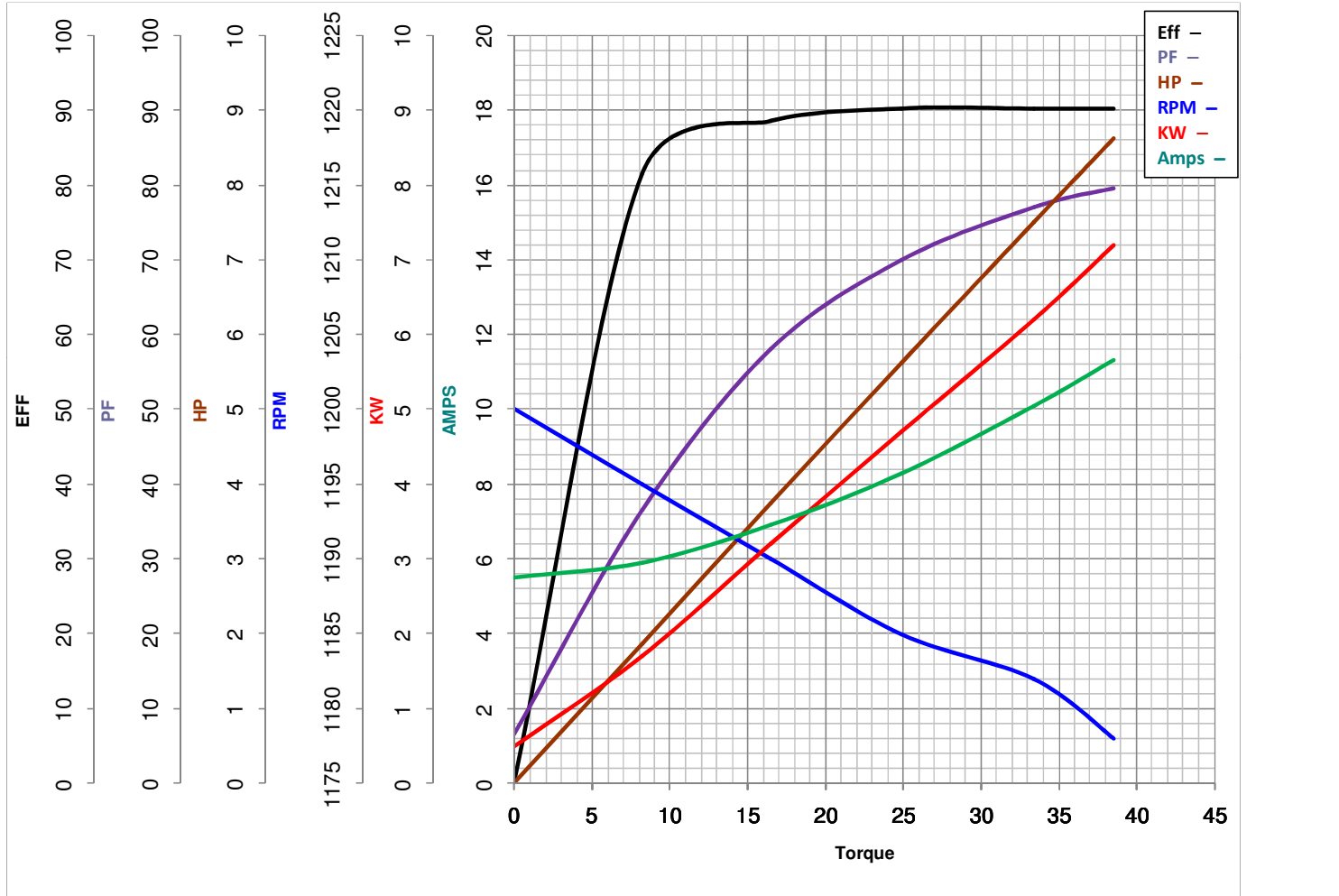
* INVERTER	TORQUE: CONSTANT 2:1/VARIABLE 20:1
N INV. HP SPEED RANGE:	NONE
O ENCODER:	NONE
T NONE	NONE
E NONE	PPR
S BRAKE:	NONE
* NONE	P/N NONE
	NONE
	NONE
	FT-LB NONE V NONE HZ

PREPARED BY: Anusha Muthyala
DATE: 05/04/2018 12:27:08 AM
FORM 3531 REV.3 02/07/99
** Subject to change without notice.

MARATHON ELECTRIC CORPORATION

TYPICAL PERFORMANCE CURVE for AC MOTOR

Customer _____ Curve at 460 Volts HP 7.5&5 PHASE 3
 Model No 254TTDBD6076 60 HZ
7.5 HP VOLTS 230/460&190/380
 Catalog No GT0057 HZ 60&50 RPM 1182&984



FL TORQUE	<u>33.4</u>	Lb.Ft	FL AMPS	<u>20.2/10.1</u>	
BD TORQUE	<u>85.0</u>	Lb.Ft	PU TORQUE	<u>56.0</u>	Lb.Ft
LR TORQUE	<u>66</u>	Lb.Ft	LR AMPS	<u>60</u>	
WINDING	HE31606009-2	Prepared By	ANUSHA M	Date	5/4/2018