

PRODUCT INFORMATION PACKET

marathon[®]
Motors

Model No: 254TTDC6003
Catalog No: U289
20,3600,DP,254T,3/60/575
Open Drip Proof (ODP)



Regal and Marathon are trademarks of Regal Beloit Corporation or one of its affiliated companies.
©2018 Regal Beloit Corporation, All Rights Reserved. MC017097E

REGAL[®]



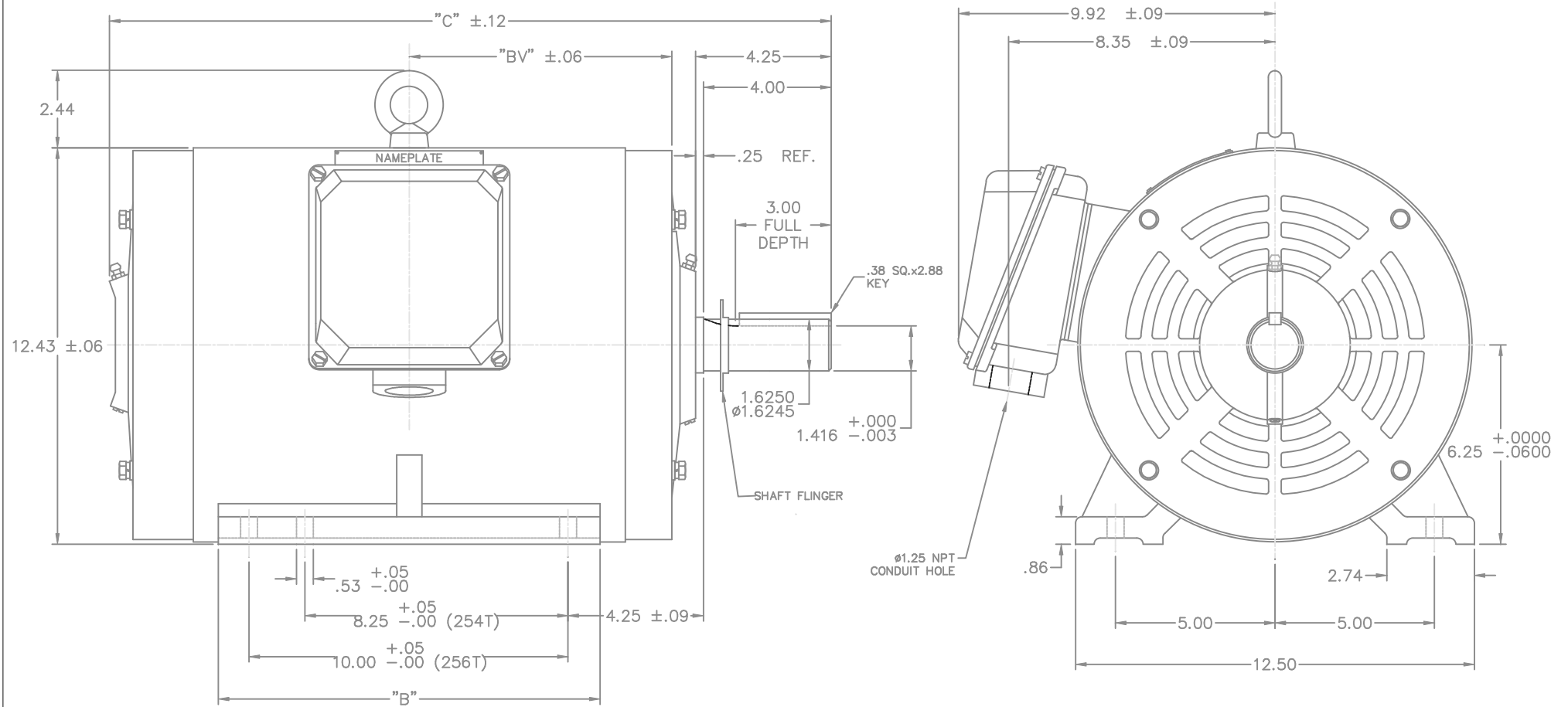
Nameplate Specifications

| | | | |
|----------------------------|-------------------|------------------------|-------------------|
| Output HP | 20 Hp | Output KW | 14.9 kW |
| Frequency | 60 Hz | Voltage | 575 V |
| Current | 18.4 A | Speed | 3550 rpm |
| Service Factor | 1.15 | Phase | 3 |
| Efficiency | 93 % | Duty | Continuous |
| Insulation Class | F | Design Code | B |
| KVA Code | G | Frame | 254T |
| Enclosure | Drip Proof | Overload Protector | No |
| Ambient Temperature | 40 °C | Drive End Bearing Size | 6309 |
| Opp Drive End Bearing Size | 6208 | UL | Recognized |
| CSA | Y | CE | Y |
| IP Code | 22 | | |

Technical Specifications

| | | | |
|-------------------|-------------------------------------|-----------------------|-------------------------|
| Electrical Type | Squirrel Cage Inverter Rated | Starting Method | Line Or Inverter |
| Poles | 2 | Rotation | Reversible |
| Mounting | Rigid base | Motor Orientation | Horizontal |
| Drive End Bearing | Ball | Opp Drive End Bearing | Ball |
| Frame Material | Cast Iron | Shaft Type | T |
| Overall Length | 20.94 in | Shaft Diameter | 1.625 in |
| Shaft Extension | 4.25 in | Assembly/Box Mounting | F1/F2 Capable |
| Outline Drawing | 169551.60ME | Connection Diagram | 0051090.01 |

This is an uncontrolled document once printed or downloaded and is subject to change without notice. Date Created: 07/02/2018



NOTE: 256T HAS 6 MTG. HOLES, USING BOTH 254T AND 256T "2F" LOCATIONS.

| FRAME | "C" | "BV" | "B" |
|-------|-------|------|-------|
| 254T | 20.94 | 8.23 | 10.25 |
| 256T | 22.60 | 9.06 | 12.00 |

| | | | | | | | |
|--|--|-----------------------------|--|-------------------------------|--|-------------------------|--|
| | | TOLERANCES UNLESS SPECIFIED | | | | DRAWN CTO 04-23-2002 | |
| | | DEC. INCHES | | | | CHK ML 05-20-2002 | |
| | | .X ±.1 | | TITLE | | APPD SB 05-21-2002 | |
| | | .XX ±.03 | | OUTLINE 250T FRAME | | SCALE 1=1.125 | |
| | | .XXX ±.005 | | ODP, RIGID MOUNT, NEW CON-BOX | | REF | |
| 1 | | NEW DRAWING | | CTO 05/21/02 | | MAT'L CAST IRON | |
| NO. | | REVISION | | BY & DATE | | FINISH | |
| | | | | CHK ANG ±1/2' | | PREV | |
| THIS DRAWING IN DESIGN AND DETAIL IS OUR PROPERTY AND MUST NOT BE USED EXCEPT IN CONNECTION WITH OUR WORK ALL RIGHTS OF DESIGN AND INVENTION ARE RESERVED THIS IS AN ELECTRONICALLY GENERATED DOCUMENT - DO NOT SCALE THIS PRINT | | | | RFP | | CAD FILE 16955160me | |
| | | | | DIST | | SIZE B | |
| | | | | | | DRAWING NO. 169551-60ME | |
| | | | | | | REV. 1 | |

Data Sheet

Date: 16-06-2017
 Customer: _____
 Attention: _____
 Submitted by: FAREEDA DUDEKULA



254TTDC6003

Submittal

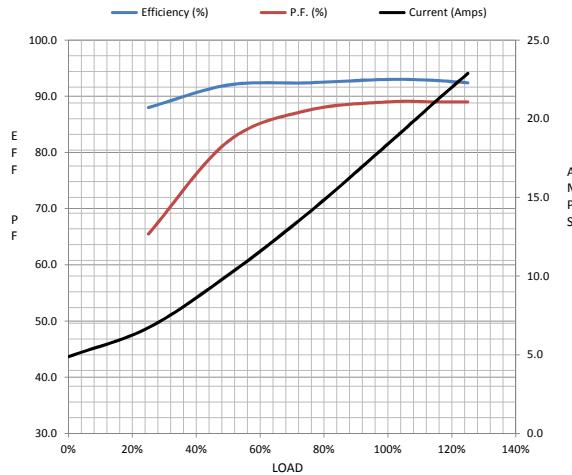
Data @ 575 V

Motor Load Data

| Load | 0% | 25% | 50% | 75% | 100% | 115% | 125% | LR |
|----------------|------|------|------|------|------|-------|------|------|
| Current (Amps) | 4.9 | 6.7 | 10.1 | 14.0 | 18.4 | 21.1 | 22.9 | 116 |
| Torque (ft-lb) | 0.00 | 7.5 | 15.0 | 22.5 | 30.0 | 34.5 | 37.5 | 57.0 |
| RPM | 3600 | 3590 | 3575 | 3560 | 3550 | 3,540 | 3530 | 0 |
| Efficiency (%) | | 88.0 | 92.0 | 92.4 | 93.0 | 92.8 | 92.4 | |
| P.F. (%) | 8.0 | 65.5 | 82.0 | 87.5 | 89.0 | 89.0 | 89.0 | 0.0 |

Motor Speed Data

| | LR | Pull-Up | BD | Rated | Idle | Information Block | |
|----------------|------|---------|------|-------|------|-----------------------------|-------------------------|
| Speed (RPM) | 0 | 1800 | 3312 | 3550 | 3600 | HP | 20.0 |
| Current (Amps) | 116 | 107 | 69.6 | 18.4 | 4.9 | Sync. RPM | 3600 |
| Torque (ft-lb) | 57.0 | 50.2 | 84.0 | 30.0 | 0.00 | Frame | 254 |
| | | | | | | Enclosure | DP |
| | | | | | | Construction | TDC |
| | | | | | | Voltage | 575 V |
| | | | | | | Frequency | 60 Hz |
| | | | | | | Design | A |
| | | | | | | LR Code letter | G |
| | | | | | | Service Factor | 1.15 |
| | | | | | | Temp Rise @ FL | 48 ° C |
| | | | | | | Duty | CONT |
| | | | | | | Ambient | 40 ° C |
| | | | | | | Elevation | 1,000 feet |
| | | | | | | Rotor/Shaft wk ² | 0.00 Lb-Ft ² |
| | | | | | | Ref Wdg | T12902025 NONE |
| | | | | | | Sound Pressure @ 1M | 75 dBA |
| | | | | | | VFD Rating | CONSTANT 10:1 |
| | | | | | | Outline Dwg | 169551.60ME |
| | | | | | | Conn. Diag | 51090.01 |



| | | | | |
|-----------------------------|-------------------------|--------|--------|--------|
| HP | 20.0 | | | |
| Sync. RPM | 3600 | | | |
| Frame | 254 | | | |
| Enclosure | DP | | | |
| Construction | TDC | | | |
| Voltage | 575 V | | | |
| Frequency | 60 Hz | | | |
| Design | A | | | |
| LR Code letter | G | | | |
| Service Factor | 1.15 | | | |
| Temp Rise @ FL | 48 ° C | | | |
| Duty | CONT | | | |
| Ambient | 40 ° C | | | |
| Elevation | 1,000 feet | | | |
| Rotor/Shaft wk ² | 0.00 Lb-Ft ² | | | |
| Ref Wdg | T12902025 NONE | | | |
| Sound Pressure @ 1M | 75 dBA | | | |
| VFD Rating | CONSTANT 10:1 | | | |
| Outline Dwg | 169551.60ME | | | |
| Conn. Diag | 51090.01 | | | |
| Additional Specifications: | | | | |
| 0 | | | | |
| 365THFS8036 | | | | |
| EQUIV CKT (OHMS / PHASE) | | | | |
| R1 | R2 | X1 | X2 | Xm |
| 0.0000 | 0.0000 | 0.0000 | 0.0000 | 0.0000 |

Speed -Torque Curve

