

# PRODUCT INFORMATION PACKET

Model No: 254TTDX7278  
Catalog No: Y456  
7 1/2/3 1/3,1770/1180,DP,254T,3/60/200-230  
Other Purpose



Regal and Marathon are trademarks of Regal Beloit Corporation or one of its affiliated companies.  
©2018 Regal Beloit Corporation, All Rights Reserved. MC017097E

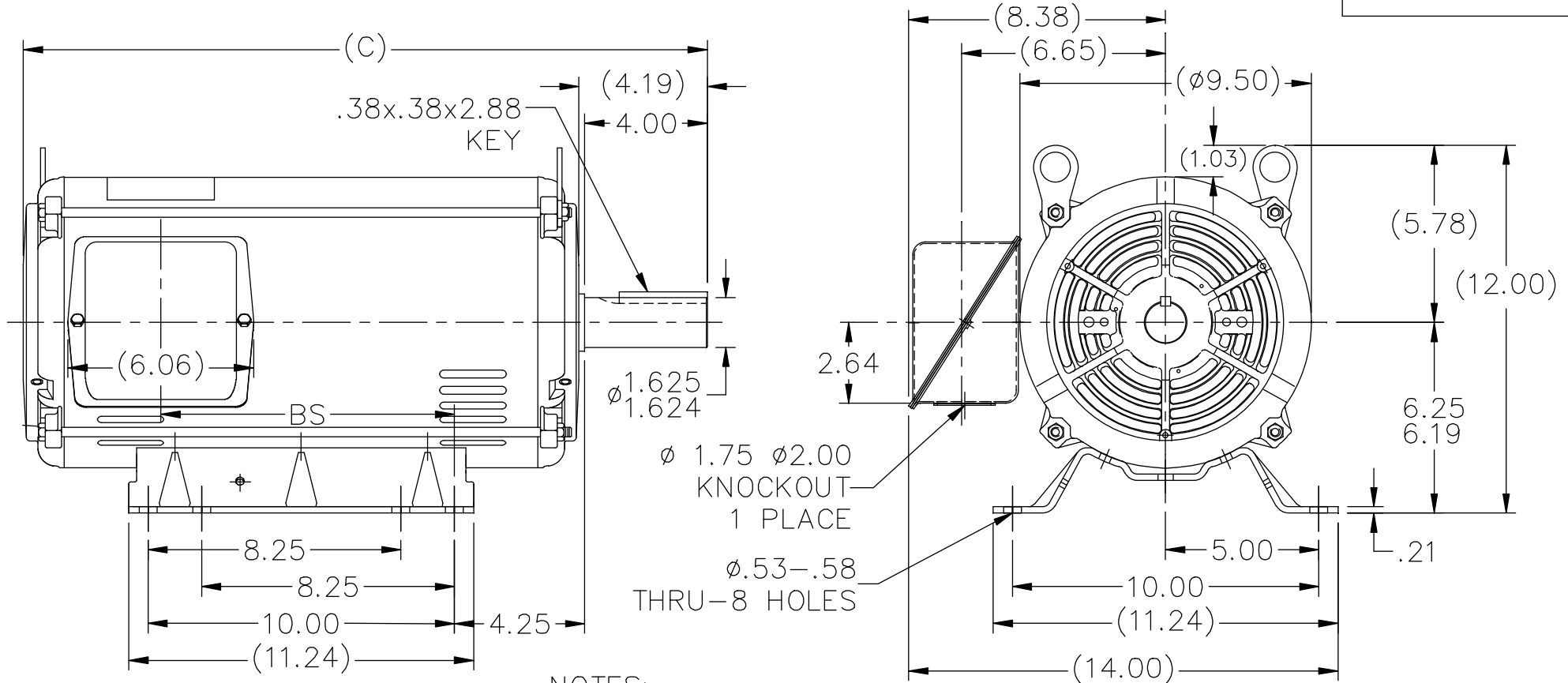


### Nameplate Specifications

Output HP	7.50,3.33 Hp	Output KW	5.6 kW
Frequency	60 Hz	Voltage	200-230 V
Current	20.8-18.4,11-10.2 A	Speed	1775,1182 rpm
Service Factor	1.15	Phase	3
Efficiency	87.5 %	Duty	Continuous
Insulation Class	B	Design Code	2VT
KVA Code	K	Frame	254T
Enclosure	Drip Proof	Overload Protector	No
Ambient Temperature	40 °C	Drive End Bearing Size	6309
Opp Drive End Bearing Size	6208	UL	Recognized
CSA	Y	CE	Y
IP Code	12		

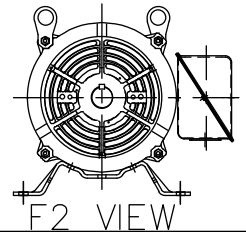
### Technical Specifications

Electrical Type	Squirrel Cage Induction Run	Starting Method	Across The Line
Poles	4//6	Rotation	Reversible
Mounting	Rigid base	Motor Orientation	Horizontal
Drive End Bearing	Ball	Opp Drive End Bearing	Ball
Frame Material	Rolled Steel	Shaft Type	T
Overall Length	22.32 in	Frame Length	15.45 in
Shaft Diameter	1.625 in	Shaft Extension	4.19 in
Assembly/Box Mounting	F1/F2 Capable		
Outline Drawing	A-SS86503-1545	Connection Diagram	A-EE7317



NOTES:

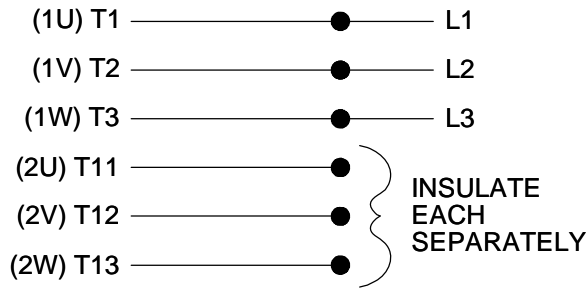
1. NAMEPLATE TO BE READ FROM C'BOX SIDE OF MOTOR.
2. BOX CAN BE MOUNTED IN 90° STEPS.
3. BOX CAN BE MOUNTED ON OPPOSITE SIDE BY REMOVING BRACKETS AND TURNING FRAME 180°. (EXCEPT AS NOTED.)
4. F2 MOUNT -USES 2ND HOLE ON 1370 FRAME.



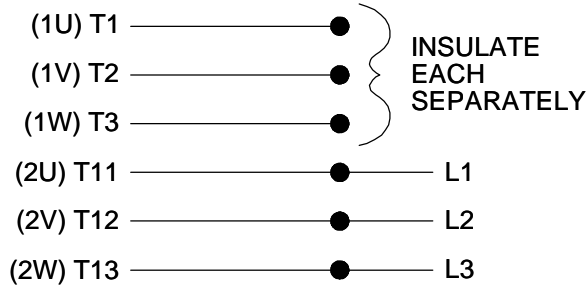
DASH	FR.	C	BS	MOUNTING
1370	254T	20.57	7.68	F1 OR F2
1545	254T/256T	22.32	9.43	F1 OR F2

NO.	REVISION	BY & DATE	CHK	ANG	±7'30"	FINISH	PREV	
8	ADDED F2 VIEW	UD 11/13/13	GR	TOLERANCES UNLESS SPECIFIED			DRAWN SMC 04-22-1993	
7	UPDATED DRAWING	TJW 04/27/2007		DEC.	INCHES		CHK MOL 04-23-1993	
6	REDRAWN IN AUTOCAD	TAT 05-19-2005	ML	.X	±.1	APPD DRN 09-13-1993	SCALE 1=5	
5	UPDATED CONDUIT BOX CN 28427	TJB 01-31-2000		.XX	±.03	TITLE OUTLINE	REF	
4	ADDED NOTE #4 FOR F2 MOUNT CN 24000-581	MH 06-10-1997		.XXX	±.005	250 FR. - BB - DR.PR.	FMF	
3	DASH 1545 WAS FOR 256T FR. ONLY CN 18683	KL 09-12-1994		.XXXX	±.0005	MAT'L.	PREV	
THIS DRAWING IN DESIGN AND DETAIL IS OUR PROPERTY AND MUST NOT BE USED EXCEPT IN CONNECTION WITH OUR WORK ALL RIGHTS OF DESIGN AND INVENTION ARE RESERVED THIS IS AN ELECTRONICALLY GENERATED DOCUMENT - DO NOT SCALE THIS PRINT			RFP	CAD FILE ss86503		SIZE A	DRAWING NO. SS86503	PAGE OF 8
			DIST LB					REV. 8

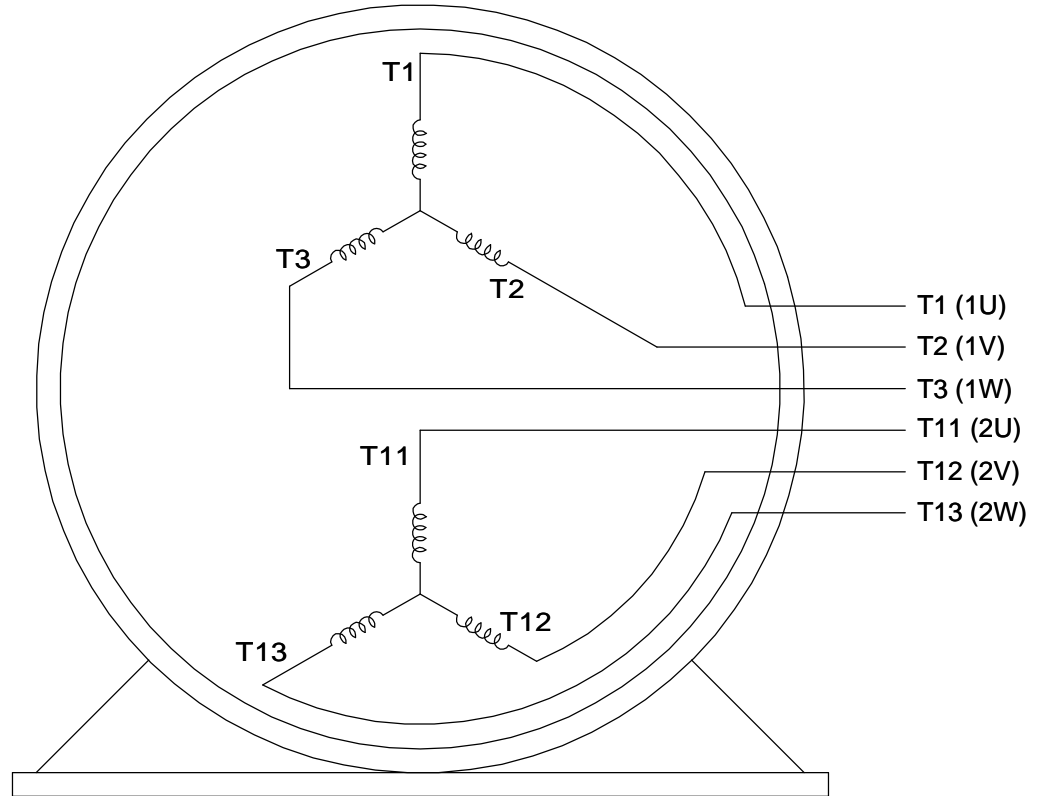
LOW SPEED



HIGHSPEED



**THREE PHASE, SINGLE VOLT, 6 LEAD  
2 SPEED REVERSIBLE MOTOR**



VIEW OF TERMINAL END

TO REVERSE ROTATION ON  
EITHER SPEED: INTERCHANGE  
ANY 2 LEADS ON THE  
WINDING IN USE.

DRAWING REVISION <b>C</b>	REVISION BY <b>JJB</b>	DATE <b>10-25-2017</b>		DRAWN BY <b>LZ</b>	<b>Regal Beloit America, Inc.</b>
ECO <b>ECO-0132917</b>	APPROVED BY <b>TLB</b>	DATE <b>10-30-2017</b>		DATE <b>01-05-1994</b>	
ECO DESCRIPTION <b>REVISED PER ECO &amp; UPDATED TO STANDARDS</b>				APPROVED BY <b>GK</b>	DESCRIPTION <b>CONN DIAGRAM-INTERNAL</b>
<small>COPYRIGHT REGAL BELOIT AMERICA, INC. ALL RIGHTS RESERVED. PROPRIETARY AND CONFIDENTIAL INFORMATION - THIS DOCUMENT IS THE PROPERTY OF REGAL BELOIT AMERICA, INC. ("OWNER") AND CONTAINS OWNER'S PROPRIETARY INFORMATION. ANY PERSON, CORPORATION OR OTHER FIRM RECEIVING IT IS DEEMED, BY RECEIVING IT, TO AGREE THAT IT, AND/OR ANY PART OF IT, SHALL NOT BE DISCLOSED TO ANY PERSON, CORPORATION OR OTHER ENTITY, DUPLICATED, AND/OR USED, EXCEPT AS EXPRESSLY APPROVED IN WRITING IN ADVANCE BY OWNER. THIS DOCUMENT SHALL BE RETURNED TO OWNER UPON REQUEST. IT MAY BE SUBJECT TO CERTAIN RESTRICTIONS UNDER APPLICABLE EXPORT CONTROL LAWS AND REGULATIONS.</small>				DATE <b>01-17-1994</b>	<b>3 PHASE - SINGLE - 2 SPEED REVERSIBLE</b>
			REFERENCE	MATERIAL	PROCESS/FINISH
			THIRD ANGLE PROJECTION	SIZE <b>A</b>	DRAWING NUMBER <b>EE7317</b>

**CERTIFICATION DATA SHEET**

**Model#:** 254TTDX7278 AB      **WINDING#:** 215(4-6)35 NONE 1  
**CONN. DIAGRAM:** A-EE7317      **ASSEMBLY:** F1/F2 CAPABLE  
**OUTLINE:** A-SS86503-1545

**TYPICAL MOTOR PERFORMANCE DATA**

HP	KW	SYNC. RPM	F.L. RPM	FRAME	ENCLOSURE	KVA CODE	DESIGN
7 1/2&3 1/3	5.6&2.48	1200	1775&1182	254T	DP	K	2VT

PH	Hz	VOLTS	FL AMPS	START TYPE	DUTY	INSL	S.F	AMB°C	ELEVATION
3	60/60	200-230	20.8-18.4&11-10.2	ACROSS THE LINE	CONTINUOUS	B3	1.15/1.15	40	3300

FULL LOAD EFF: 87.5&84	3/4 LOAD EFF: 83	1/2 LOAD EFF: 79.5	GTD. EFF	ELEC. TYPE	NO LOAD AMPS
FULL LOAD PF: 86.5&73	3/4 LOAD PF: 64.5	1/2 LOAD PF: 51.5	80.8	SQ CAGE IND RUN	6

F.L. TORQUE	LOCKED ROTOR AMPS	L.R. TORQUE	B.D. TORQUE	F.L. RISE°C
14.5 LB-FT	76	42 LB-FT 290	52 LB-FT 359	45

SOUND PRESSURE @ 3 FT.	SOUND POWER	ROTOR WK^2	MAX. WK^2	SAFE STALL TIME	STARTS /HOUR	APPROX. MOTOR WGT
64 dBA	74 dBA	1.4 LB-FT^2	- LB-FT^2	- SEC.	-	- LBS.

**\*\*\* SUPPLEMENTAL INFORMATION \*\*\***

DE BRACKET TYPE	ODE BRACKET TYPE	MOUNT TYPE	ORIENTATION	SEVERE DUTY	HAZARDOUS LOCATION	DRIP COVER	SCREENS	PAINT
STANDARD	STANDARD	RIGID	HORIZONTAL	FALSE	NONE	FALSE	NONE	BLUE (ENAMEL)

BEARINGS		GREASE	SHAFT TYPE	SPECIAL DE	SPECIAL ODE	SHAFT MATERIAL	FRAME MATERIAL
DE	OPE						
BALL	BALL	POLYREX EM	T	NONE	NONE	1045 HOT ROLLED (C-204)	ROLLED STEEL
6309	6208						

THERMO-PROTECTORS				THERMISTORS	CONTROL	SPACE /n HEATERS
THERMOSTATS	PROTECTORS	WDG RTDs	BRG RTDs			
NONE	NOT	NONE	NONE	NONE	FALSE	NONE VOLTS

If Inverter equals NONE, contact factory for further information

INVERTER TORQUE: NONE
INV. HP SPEED RANGE: NONE
ENCODER: NONE
NONE NONE
NONE NONE PPR
BRAKE: NONE NONE
NONE P/N NONE
NONE NONE
NONE FT-LB NONE V NONE Hz

\*  
N  
O  
T  
E  
S  
\*

DATE: 06/23/2017 03:41:24 AM  
 FORM 3531 REV.3 02/07/99

\*\* Subject to change without notice.