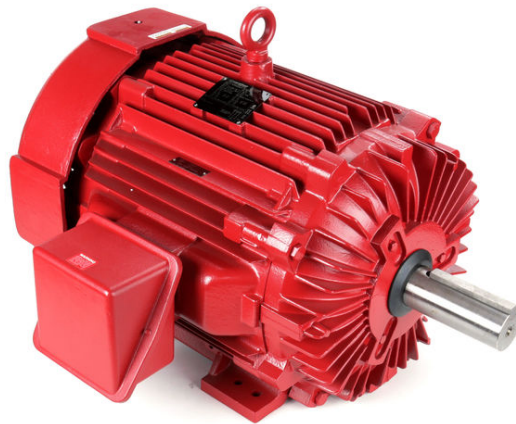


PRODUCT INFORMATION PACKET

marathon[®]
Motors

Model No: 254TTFPA14014
Catalog No: Y1608
15,3600,TEFC,254T,3/60/230/460YD
Fire Pump



Regal and Marathon are trademarks of Regal Beloit Corporation or one of its affiliated companies.
©2018 Regal Beloit Corporation, All Rights Reserved. MC017097E

REGAL[®]

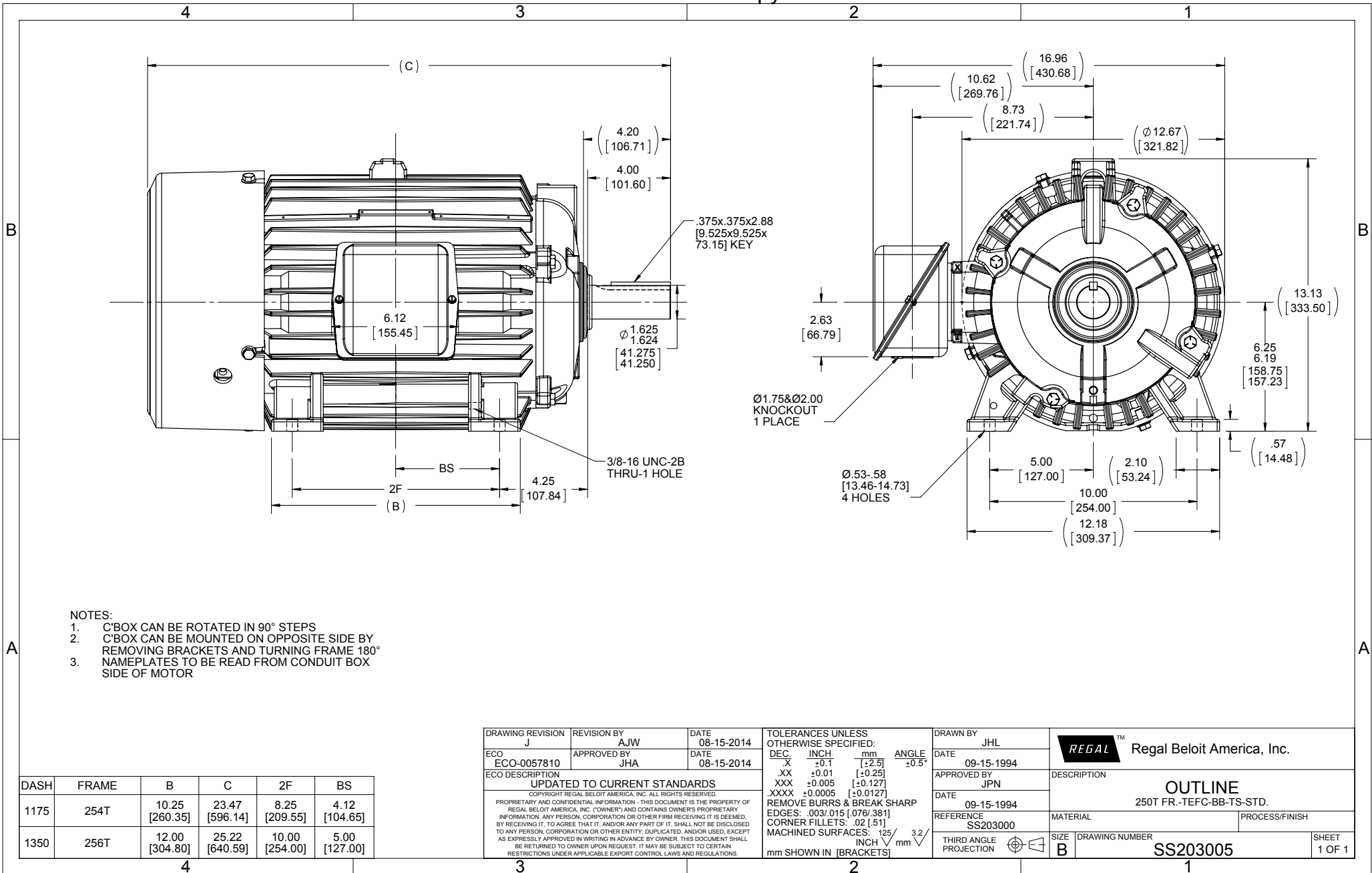


Nameplate Specifications

Output HP	15 Hp	Output KW	11.2 kW
Frequency	60 Hz	Voltage	230/460 V
Current	35.0/17.5 A	Speed	3520 rpm
Service Factor	1.15	Phase	3
Efficiency	90.2 %	Duty	Continuous
Insulation Class	F	Design Code	B
KVA Code	G	Frame	254T
Enclosure	Totally Enclosed Fan Cooled	Overload Protector	No
Ambient Temperature	40 °C	Drive End Bearing Size	6309
Opp Drive End Bearing Size	6207	UL	No
CSA	Y	CE	Y
IP Code	43		

Technical Specifications

Electrical Type	Squirrel Cage Induction Run	Starting Method	Part Wdg Start Low Volt Only & Wye Start Delta Run
Poles	2	Rotation	Reversible
Mounting	Rigid base	Motor Orientation	HORIZONTAL
Drive End Bearing	BALL	Opp Drive End Bearing	BALL
Frame Material	Cast Iron	Shaft Type	T
Overall Length	23.47 in	Frame Length	11.75 in
Shaft Diameter	1.625 in	Shaft Extension	4.20 in
Assembly/Box Mounting	F1/F2 CAPABLE		
Outline Drawing	B-SS203005-1175	Connection Diagram	A-EE7308AA



- NOTES:
1. C'BOX CAN BE ROTATED IN 90° STEPS
 2. C'BOX CAN BE MOUNTED ON OPPOSITE SIDE BY REMOVING BRACKETS AND TURNING FRAME 180°
 3. NAMEPLATES TO BE READ FROM CONDUIT BOX SIDE OF MOTOR

DASH	FRAME	B	C	2F	BS
1175	254T	10.25 [260.35]	23.47 [596.14]	8.25 [209.55]	4.12 [104.65]
1350	256T	12.00 [304.80]	25.22 [640.59]	10.00 [254.00]	5.00 [127.00]

DRAWING REVISION J	REVISION BY AJW	DATE 08-15-2014
ECO ECO-0057810	APPROVED BY JHA	DATE 08-15-2014
ECO DESCRIPTION UPDATED TO CURRENT STANDARDS		
<small>COPYRIGHT REGAL BELOIT AMERICA, INC. ALL RIGHTS RESERVED. PROPRIETARY AND CONFIDENTIAL INFORMATION - THIS DOCUMENT IS THE PROPERTY OF REGAL BELOIT AMERICA, INC. (OWNER) AND CONTAINS OWNER'S PROPRIETARY INFORMATION. ANY PERSON, CORPORATION OR OTHER FIRM RECEIVING IT IS DEEMED, BY RECEIVING IT, TO AGREE THAT IT, AND/OR ANY PART OF IT, SHALL NOT BE DISCLOSED TO ANY PERSON, CORPORATION OR OTHER ENTITY, DUPLICATED, AND/OR USED, EXCEPT AS EXPRESSLY APPROVED IN WRITING IN ADVANCE BY OWNER. THIS DOCUMENT SHALL BE RETURNED TO OWNER UPON REQUEST. IT MAY BE SUBJECT TO CERTAIN RESTRICTIONS UNDER APPLICABLE EXPORT CONTROL LAWS AND REGULATIONS.</small>		

TOLERANCES UNLESS OTHERWISE SPECIFIED:			
DEC.	INCH	mm	ANGLE
.X	±0.1	[±2.5]	±0.5°
.XX	±0.01	[±0.25]	
.XXX	±0.005	[±0.127]	
.XXXX	±0.0005	[±0.0127]	
REMOVE BURRS & BREAK SHARP			
EDGES: .003/.015 [076/381]			
CORNER FILLETS: .02 [51]			
MACHINED SURFACES: 125/3.2			
mm SHOWN IN [BRACKETS]			

DRAWN BY JHL	DATE 09-15-1994
APPROVED BY JPN	DATE 09-15-1994
REFERENCE SS203000	
THIRD ANGLE PROJECTION	

REGAL ™ Regal Beloit America, Inc.	
DESCRIPTION OUTLINE 250T FR.-TEFC-BB-TS-STD.	
MATERIAL	PROCESS/FINISH
SIZE B	DRAWING NUMBER SS203005
	SHEET 1 OF 1



LOW VOLTAGE



HIGH VOLTAGE



VIEW OF TERMINAL END

DRAWING REVISION K	REVISION BY AJW	DATE 07-17-2015
ECO ECO-0081632	APPROVED BY T. VUE	DATE 07-17-2015
ECO DESCRIPTION REV'D IEC MARKINGS PER IEC 60034-8		
<small>COPYRIGHT REGAL BELOIT AMERICA, INC. ALL RIGHTS RESERVED. PROPRIETARY AND CONFIDENTIAL INFORMATION - THIS DOCUMENT IS THE PROPERTY OF REGAL BELOIT AMERICA, INC. ("OWNER") AND CONTAINS OWNER'S PROPRIETARY INFORMATION. ANY PERSON, CORPORATION OR OTHER FIRM RECEIVING IT IS DEEMED, BY RECEIVING IT, TO AGREE THAT IT, AND/OR ANY PART OF IT, SHALL NOT BE DISCLOSED TO ANY PERSON, CORPORATION OR OTHER ENTITY, DUPLICATED, AND/OR USED, EXCEPT AS EXPRESSLY APPROVED IN WRITING IN ADVANCE BY OWNER. THIS DOCUMENT SHALL BE RETURNED TO OWNER UPON REQUEST. IT MAY BE SUBJECT TO CERTAIN RESTRICTIONS UNDER APPLICABLE EXPORT CONTROL LAWS AND REGULATIONS.</small>		



DRAWN BY LZ	Regal Beloit America, Inc.	
DATE 01-12-1994		
APPROVED BY GK	DESCRIPTION CONN DIAGRAM-EXTERNAL 3Ø-2/1 DELTA-12 LEADS	
DATE 01-14-1994		
REFERENCE	MATERIAL	PROCESS/FINISH
THIRD ANGLE PROJECTION	SIZE A	DRAWING NUMBER EE7308AA
		SHEET 1 OF 1



P.O. BOX 8003
WAUSAU, WI 54401-8003
PH. 715-675-3311

DATA VOLTS: 460

CERTIFICATION DATA SHEET

CUSTOMER P.O. #:
 ORDER #: A-EE7308AA
 REFERENCE MODEL #: 254TTPA14014
 CONN. DIAGRAM: B-SS203005-1175 CAT #: Y1608
 OUTLINE: K2152215 NONE 1 CUSTOMER PART #:
 WINDING: K2152215 MOUNTING: F1/F2 CAPABLE
 SPEED:
 TYPICAL MOTOR PERFORMANCE DATA

HP	KW	SYNC RPM	FL RPM	FRAME	ENCLOSURE	TYPE	KVA CODE	DESIGN
15	11.2	3600	3520	254T	TEFC	TEP	G	B

PH	HZ	VOLTS	AMPS	START TYPE	DUTY	INSL	S.F.	AMB	ELEV.
3	60	230/460	35/17.5	WS(LV ONLY) & YDRU	CONT	F	1.15	40	3300
	F.L. EFF	90.2	3/4 LD EFF	90.2	1/2 LD EFF	89.5	GTD EFF	ELECT. TYPE	
	F.L. PF	87.0	3/4 LD PF	84.0	1/2 LD PF	77.0	88.5	SQ CAGE IND RUN	

F.L. TORQUE	LR AMPS @ 460 V	L.R. TORQUE	B.D. TORQUE	F.L. RISE (°C)
22.5 LB-FT	111	43.0 LB-FT	191%	67.0 LB-FT
@ 3 FT.	POWER	ROTOR WK ²	MAX. LOAD WK ²	SAFE STALL TIME
72 DBA	81 DBA	0.60 LB-FT ²	16 LB-FT ²	20 SEC.
				START/SHOUR
				2
				MOTOR WGT
				250 LB.

*** SUPPLEMENTAL INFORMATION ***

DE BRACKET TYPE	ODE BRACKET TYPE	MOUNT TYPE	MOTOR ORIENTATION	SEVERE DUTY	HAZARDOUS LOCATION	DRIP COVER	SCREENS	PAINT
STANDARD	STANDARD	RIGID	HORIZONTAL	NO	NONE	NO	NONE	RED (ENAMEL)
BEARINGS		GREASE	SHAFT TYPE	SPECIAL DE	SPECIAL ODE	SHAFT	MATERIAL	FRAME MATERIAL
DE BALL 6309	ODE BALL 6207	POLYREX EM	T	NONE	NONE	1045 HOT ROLLED (C-204)		CAST IRON

THERMOSTATS	PROTECTORS	WDG RTD's	BRG RTD's	THERMISTORS	CONTROL	SPACE HEATERS
NONE	NOT	NONE	NONE	NONE	FALSE	NA
R1 (ohms/ph)	R2 (ohms/ph)	X1 (ohms/ph)	X2 (ohms/ph)	Xm (ohms/ph)	VIBRATION (in/sec)	FLOAT
0.438	0.329	1.389	1.249	45.171	0.150	ODE

* N		INVERTER TORQUE: NONE	
O		INV. HP SPEED RANGE: NONE	
T		ENCODER: NONE	
E		NONE	
S		BRAKE: NONE	
.		NONE	
		NONE PPR	

PREPARED BY: FAREEDA DUDEKULA
 DATE: 9/17/2018
 FT-LB: NA
 VOLTAGE: NONE
 HZ: UL: NONE

Data Sheet

Date: 9/17/2018

2541TFPA14014

Customer: _____
 Attention: _____



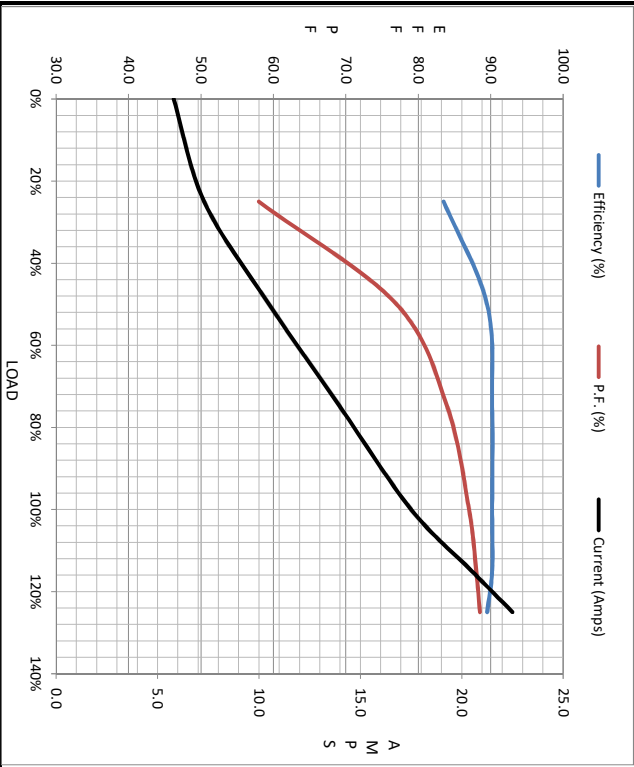
Submital

Submitted by: FAREEDA DUDEKULA

Data @ 460 V

	Motor Load Data									
	0%	25%	50%	75%	100%	115%	125%	LR		
Load										
Current (Amps)	5.8	7.3	10.5	14.0	17.5	20.5	22.5	11.1		
Torque (ft-lb)	0.00	5.5	11.0	16.8	22.5	26.0	28.0	43.0		
RPM	3600	3578	3560	3535	3520	3490	3490	0		
Efficiency (%)		83.5	89.5	90.2	90.2	89.5	89.5			
P.F. (%)	10.5	58.0	77.0	84.0	87.0	88.0	88.5	42.0		

	Motor Speed Data					Information Block																		
	LR	Pull-Up	BD	Rated	Idle	HP	Frame	Enclosure	Construction	Voltage	Frequency	Design	LR Code letter	Service Factor	Temp Rise @ FL	Duty	Ambient	Elevation	Motor/Shaft wk ²	Sound Pressure @ 1M	VFD Rating	Outline Dwg	Conn. Diag	Additional Specifications:
Speed (RPM)	0	1800	3170	3520	3600	15.0	2541B2TFC6080	TEFC	TFP	230/460	60	A	G	1.15	55	CONT	40	1,000	0.80	72	NONE	B-SS203005-1175	A-EET308AA	
Current (Amps)	111	100	71.0	17.5	5.8																			
Torque (ft-lb)	43.0	39.0	67.0	22.5	0.00																			



	R1	R2	X1	X2	Xm
EQUIV CKT (OHMS / PHASE)	0.4380	0.3290	1.3890	1.2490	45.1710

