

PRODUCT INFORMATION PACKET

marathon[®]
Motors

Model No: 254TTGN16034
Catalog No: C327B
15,1800,EPFC,254TC,3/60/230/460
Explosion Proof



Regal and Marathon are trademarks of Regal Beloit Corporation or one of its affiliated companies.
©2018 Regal Beloit Corporation, All Rights Reserved. MC017097E

REGAL[®]



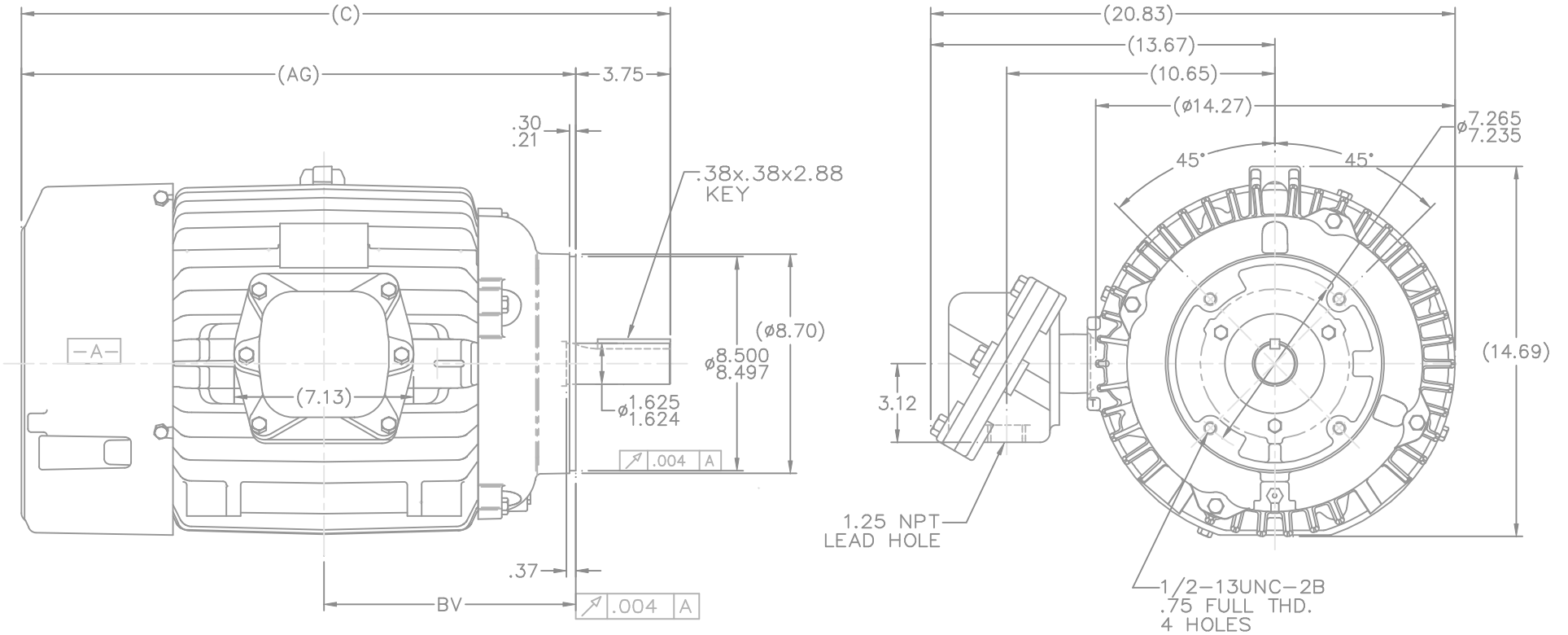
Nameplate Specifications

Output HP	15 Hp	Output KW	11.2 kW
Frequency	60 Hz	Voltage	230/460 V
Current	37.5/18.8 A	Speed	1775 rpm
Service Factor	1	Phase	3
Efficiency	92.4 %	Duty	Continuous
Insulation Class	F	Design Code	B
KVA Code	G	Frame	254TC
Enclosure	Explosion Proof Fan cooled	Overload Protector	No
Ambient Temperature	40 °C	Drive End Bearing Size	6309
Opp Drive End Bearing Size	6210	UL	No
CSA	N	CE	N
IP Code	54		

Technical Specifications

Electrical Type	Squirrel Cage Inverter Rated	Starting Method	Line Or Inverter
Poles	4	Rotation	Reversible
Mounting	Round	Motor Orientation	HORIZONTAL
Drive End Bearing	BALL	Opp Drive End Bearing	BALL
Frame Material	Cast Iron	Shaft Type	T
Overall Length	25.77 in	Frame Length	12.25 in
Shaft Diameter	1.625 in	Shaft Extension	3.75 in
Assembly/Box Mounting	F1 ONLY		
Outline Drawing	B-SS207446-1225	Connection Diagram	A-EE7308T

This is an uncontrolled document once printed or downloaded and is subject to change without notice. Date Created: 10/30/2018

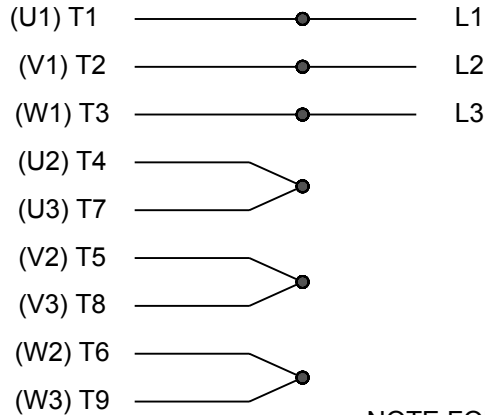


- NOTES:
 1. BOX CAN BE ROTATED CLOCKWISE UP TO 270° FROM ITS ORIGINAL POSITION.
 2. NAMEPLATE TO BE READ FROM CONDUIT BOX SIDE OF MOTOR

DASH	FRAME	C	AG	BV
1225	254-6TC	25.77	22.02	10.00

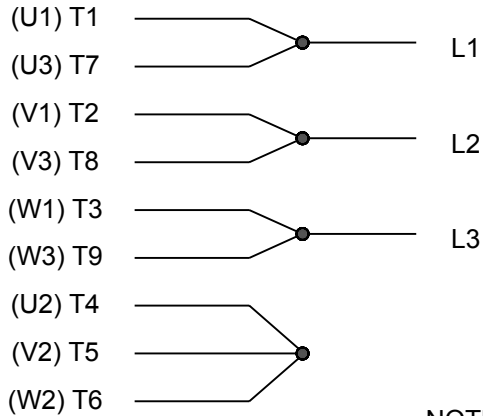
		TOLERANCES UNLESS SPECIFIED		MARATHON ELECTRIC		DRAWN MH 02-05-1998	
		DEC.	INCHES			CHK ML 02-06-1998	
		.X	±.1	TITLE OUTLINE		APPD TB 02-06-1998	
		.XX	±.03	254-6TC FR. -EXP. PR. - 'C' FACE		SCALE 1=4	
		.XXX	±.005	MAT'L		REF	
		.XXXX	±.0005	FINISH		FMF	
NO.	REVISION	BY & DATE	CHK	ANG	±7'30"	PREV	
THIS DRAWING IN DESIGN AND DETAIL IS OUR PROPERTY AND MUST NOT BE USED EXCEPT IN CONNECTION WITH OUR WORK ALL RIGHTS OF DESIGN AND INVENTION ARE RESERVED THIS IS AN ELECTRONICALLY GENERATED DOCUMENT - DO NOT SCALE THIS PRINT				RFP	02-06-1998	CAD FILE	ss207446
				DIST	LB	SIZE	DRAWING NO. PAGE 1 OF 1 REV.
						B	SS207446 2

HIGH VOLTAGE



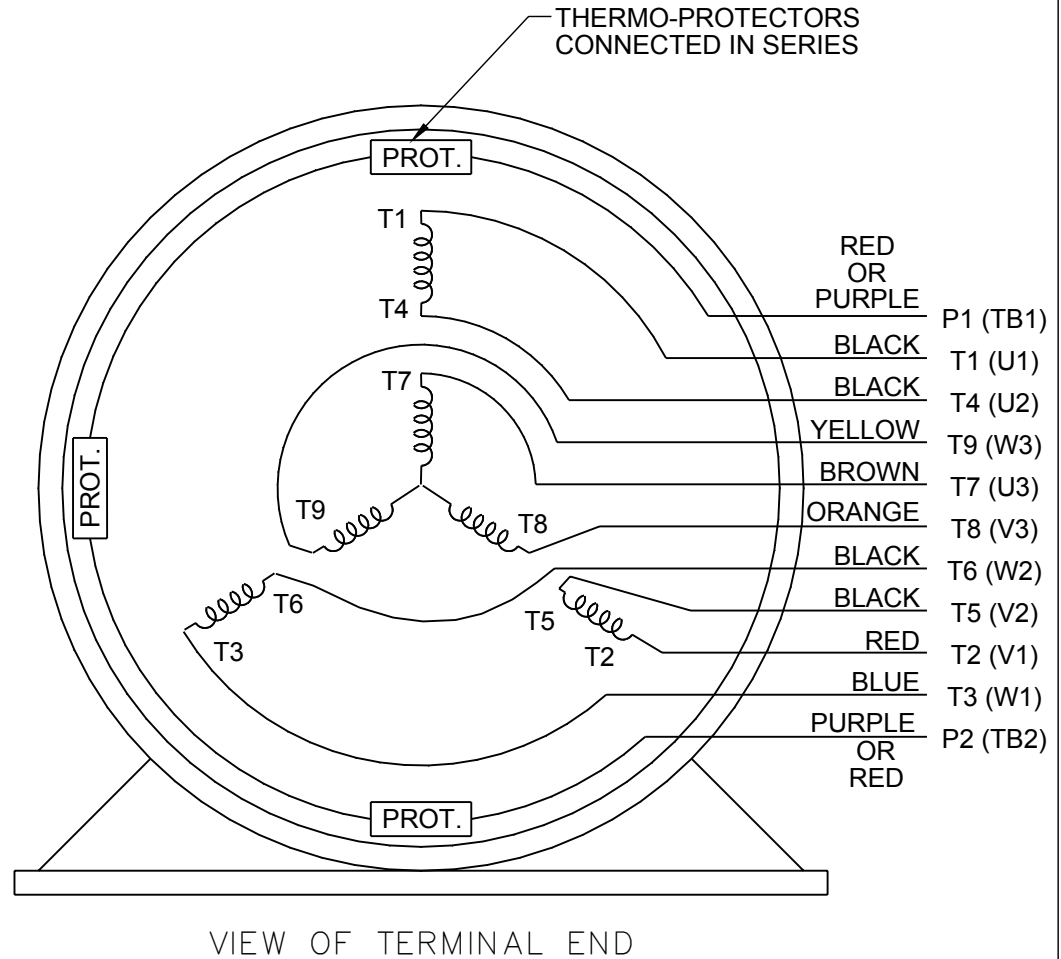
**NOTE FOR FACTORY USE ONLY:
 TO SURGE TEST FOR COMMON CONNECT:
 HIGH VOLT: CONNECT P1 TO T1
 THEN P2 TO L1
 LOW VOLT: CONNECT P1 TO T1 & T7,
 THEN P2 TO L1**

LOW VOLTAGE



NOTE: LEAD'S COLOR CAN BE YELLOW OR WHITE FOR MT2 PLANT

THREE PHASE DUAL VOLTAGE MOTOR



DRAWING REVISION R	REVISION BY AJW	DATE 07-17-2015		DRAWN BY SMC	Regal Beloit America, Inc.
ECO ECO-0081632	APPROVED BY T. VUE	DATE 07-17-2015		DATE 05-13-1992	
ECO DESCRIPTION REV'D IEC NOTATIONS PER IEC 60034-8				APPROVED BY TB	DESCRIPTION CONN DIAGRAM-INTERNAL
<small>COPYRIGHT REGAL BELOIT AMERICA, INC. ALL RIGHTS RESERVED. PROPRIETARY AND CONFIDENTIAL INFORMATION - THIS DOCUMENT IS THE PROPERTY OF REGAL BELOIT AMERICA, INC. ("OWNER") AND CONTAINS OWNER'S PROPRIETARY INFORMATION. ANY PERSON, CORPORATION OR OTHER FIRM RECEIVING IT IS DEEMED, BY RECEIVING IT, TO AGREE THAT IT, AND/OR ANY PART OF IT, SHALL NOT BE DISCLOSED TO ANY PERSON, CORPORATION OR OTHER ENTITY, DUPLICATED, AND/OR USED, EXCEPT AS EXPRESSLY APPROVED IN WRITING IN ADVANCE BY OWNER. THIS DOCUMENT SHALL BE RETURNED TO OWNER UPON REQUEST. IT MAY BE SUBJECT TO CERTAIN RESTRICTIONS UNDER APPLICABLE EXPORT CONTROL LAWS AND REGULATIONS.</small>				DATE 05-13-1992	3 PHASE - DUAL VOLTAGE MOTOR
			REFERENCE EE7308/EE7300	MATERIAL	PROCESS/FINISH
			THIRD ANGLE PROJECTION	SIZE A	DRAWING NUMBER EE7308T