

# PRODUCT INFORMATION PACKET

**marathon**<sup>®</sup>  
Motors

Model No: 256TTDBD6076  
Catalog No: GT0058  
10,1200,DP,256T,3/60/230/460  
Open Drip Proof (ODP)



Regal and Marathon are trademarks of Regal Beloit Corporation or one of its affiliated companies.  
©2018 Regal Beloit Corporation, All Rights Reserved. MC017097E

**REGAL**<sup>®</sup>



### Nameplate Specifications

Output HP	<b>10 Hp</b>	Output KW	<b>7.5 kW</b>
Frequency	<b>60 Hz</b>	Voltage	<b>230/460 V</b>
Current	<b>25.6/12.8 A</b>	Speed	<b>1182 rpm</b>
Service Factor	<b>1.15</b>	Phase	<b>3</b>
Efficiency	<b>91.7 %</b>	Duty	<b>Continuous</b>
Insulation Class	<b>F</b>	Design Code	<b>B</b>
KVA Code	<b>H</b>	Frame	<b>256T</b>
Enclosure	<b>Drip Proof</b>	Overload Protector	<b>No</b>
Ambient Temperature	<b>40 °C</b>	Drive End Bearing Size	<b>6309</b>
Opp Drive End Bearing Size	<b>6208</b>	UL	<b>Recognized</b>
CSA	<b>Y</b>	CE	<b>Y</b>
IP Code	<b>22</b>		

### Technical Specifications

Electrical Type	<b>Squirrel Cage Inverter Rated</b>	Starting Method	<b>Line Or Inverter</b>
Poles	<b>6</b>	Rotation	<b>Reversible</b>
Mounting	<b>Rigid base</b>	Motor Orientation	<b>Horizontal</b>
Drive End Bearing	<b>Ball</b>	Opp Drive End Bearing	<b>Ball</b>
Frame Material	<b>Rolled Steel</b>	Shaft Type	<b>T</b>
Frame Length	<b>12.20 in</b>	Shaft Diameter	<b>1.625 in</b>
Shaft Extension	<b>4 in</b>	Assembly/Box Mounting	<b>F1/F2 Capable</b>
Outline Drawing	<b>SS620685</b>	Connection Diagram	<b>EE7308K</b>

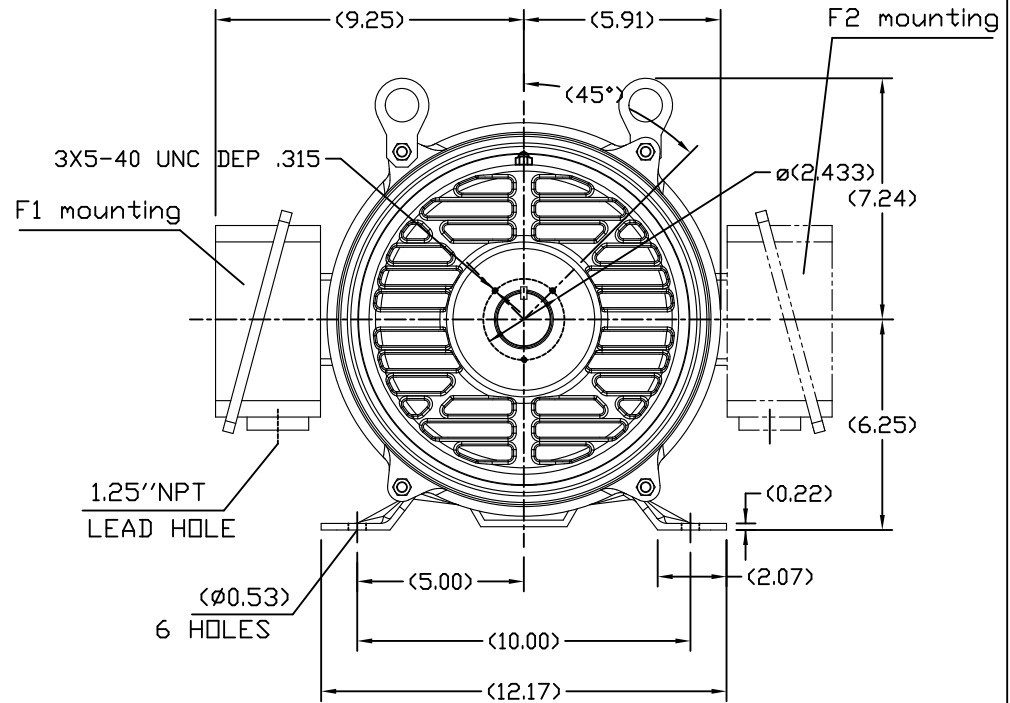
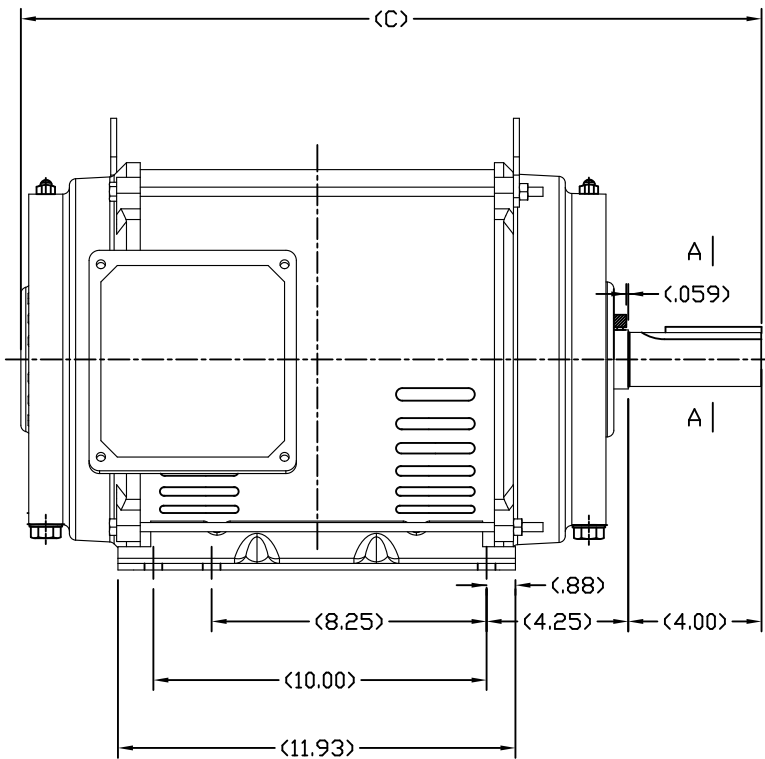
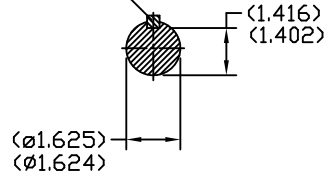
This is an uncontrolled document once printed or downloaded and is subject to change without notice. Date Created: 07/02/2018

# Uncontrolled Copy

SS620685

A - A

3/8X3/8X2.88  
KEY



254T	22.64
256T	24.22
FRAME	C

		TOLERANCES UNLESS SPECIFIED		DRAWN Xiaowei Zhu	
		DEC.	INCHES	CHK	
		.X	±.1	APPD	
		.XX	±.03	SCALE	
		.XXX	±.005	REF	
		.XXXX	±.0005	FMF REGAL-VUXI	
NO.	REVISION	BY & DATE	CHK	ANG	±1/2°
THIS DRAWING IN DESIGN AND DETAIL IS OUR PROPERTY AND MUST NOT BE USED EXCEPT IN CONNECTION WITH OUR WORK ALL RIGHTS OF DESIGN AND INVENTION ARE RESERVED THIS IS AN ELECTRONICALLY GENERATED DOCUMENT - DO NOT SCALE THIS PRINT			RFP	CAD FILE	SS620685
			DIST	SIZE	DRAWING NO.
				B	SS620685
					REV. 2


LOW VOLTAGE



HIGH VOLTAGE



VIEW OF TERMINAL END

				TOLERANCES UNLESS SPECIFIED		 REGAL - BELOIT CORPORATION	DRAWN PGK 06-04-1997		
NO.	REVISION	BY & DATE	CHK	ANG	±		UNIT	CHK	ML 06-05-1997
E	CORRECTED IEC MARKINGS	ECO-0111208	WGJ	01-23-2017	EMH	DEC.	INCHES	APPD	GK 06-15-1997
D	RE-DRAWN WITH REGAL LOGO	ECO-0110493	WGJ	09-30-2016	EMH	.X	±.1		
8	ADDED IEC DESIGNATIONS	MU95020	TJW	4/30/2010	MJS	.XX	±.02		
7	REVISED HIGH VOLTAGE L2 WAS L3	CN52600-354	MRB	09-21-1998		.XXX	±.005		
6	REDRAWN ON CADD		PGK	06-05-1997		.XXXX	±.0005		
						±7'30"			
THIS DRAWING IN DESIGN AND DETAIL IS OUR PROPERTY AND MUST NOT BE USED EXCEPT IN CONNECTION WITH OUR WORK ALL RIGHTS OF DESIGN AND INVENTION ARE RESERVED THIS IS AN ELECTRONICALLY GENERATED DOCUMENT - DO NOT SCALE THIS PRINT						RFP	CAD FILE EE7308K	SIZE	DRAWING NO. PAGE OF
						DIST		A	EE7308K
									REV. E



**P.O. BOX 8003  
WAUSAU, WI 54401-8003  
PH. 715-675-3311**

**CERTIFICATION DATA SHEET**

**CUSTOMER:**  
**ORDER #:**  
**CONN. DIAGRAM:**  
**OUTLINE:**  
**WINDING #:**

**CUSTOMER PO #:**  
**MODEL #:**  
**CUSTOMER PART #:**  
**MOUNTING:**

**TYPICAL MOTOR PERFORMANCE DATA**

HP	KW	SYNC. RPM	F.L. RPM	FRAME	ENCLOSURE	KVA CODE	DESIGN
10&7 1/2	7.50&8.60	1200	1182&982	256T	DP	H	B

PH	HZ	VOLTS	AMPS	START TYPE	DUTY	INSL	S.F.	AMB°C
3	60/50	230/460&190/380	25.6/12.8&24.4/12.2	LINE OR INVERTER	CONTINUOUS	F7	1.15/1.15	40

<b>FULL LOAD EFF:</b>	91.7&91	<b>3/4 LOAD EFF:</b>	91.7	<b>1/2 LOAD EFF:</b>	90.2	<b>GTD. EFF</b>	91	<b>ELEC. TYPE</b>
<b>FULL LOAD PF:</b>	80&79	<b>3/4 LOAD PF:</b>	74.5	<b>1/2 LOAD PF:</b>	63	<b>SQ CAGE INV RATED</b>		

F.L. TORQUE LB-FT	LOCKED ROTOR AMPS	L.R. TORQUE LB-FT	209 %	B.D. TORQUE LB-FT	254 %	F.L. RISE°C
44.5	160 / 80	93		113		40

<b>SOUND PRESSURE @ 3 FT. DBA</b>	72	<b>DBA</b>	2.9	<b>LB-FT^2</b>	200	<b>LB-FT^2</b>	15	<b>SEC.</b>	2	<b>APPROX. MOTOR WGT LBS.</b>	325
-----------------------------------	----	------------	-----	----------------	-----	----------------	----	-------------	---	-------------------------------	-----

**\*\*\* SUPPLEMENTAL INFORMATION \*\*\***

DE BRACKET TYPE	ODE BRACKET TYPE	MOUNT TYPE	ORIENTATION	SEVERE DUTY	HAZARDOUS LOCATION	DRIP COVER	SCREENS	PAINT
STANDARD	STANDARD	RIGID	HORIZONTAL	FALSE	NONE	FALSE	NONE	BLUE (ENAMEL)

BEARINGS DE ODE	GREASE	SHAFT TYPE	SPECIAL DE	SPECIAL ODE	SHAFT MATERIAL	FRAME MATERIAL
BALL BALL 6309 6208	POLYREX EM	T	NONE	NONE	1045 HOT ROLLED (C-204)	ROLLED STEEL

THERMO-PROTECTORS				THERMISTORS			SPACE HEATERS	
THERMOSTATS	PROTECTORS	WDG RTDS	BRG RTDS	NONE	FALSE	NONE	NONE	VOLTS
NONE	NOT	NONE	NONE					

<b>* INVERTER</b>	TORQUE: CONSTANT 2:1/VARIABLE 20:1
<b>N INV. HP SPEED RANGE:</b>	NONE
<b>O ENCODER:</b>	NONE
<b>T NONE</b>	NONE
<b>E NONE</b>	PPR
<b>S BRAKE:</b>	NONE
<b>* NONE</b>	P/N NONE
	NONE
	NONE
	FT-LB NONE V NONE HZ

**PREPARED BY:** Fareeda Dudekula  
**DATE:** 05/04/2018 09:51:15 AM  
**FORM 3531 REV.3 02/07/99**  
\*\* Subject to change without notice.

**MARATHON ELECTRIC CORPORATION**

TYPICAL PERFORMANCE CURVE for AC MOTOR

Customer

Curve at

460

Volts

HP 10&7.5

PHASE 3

Model No 256TTDBD6076

60

HZ

VOLTS 230/460&190/380

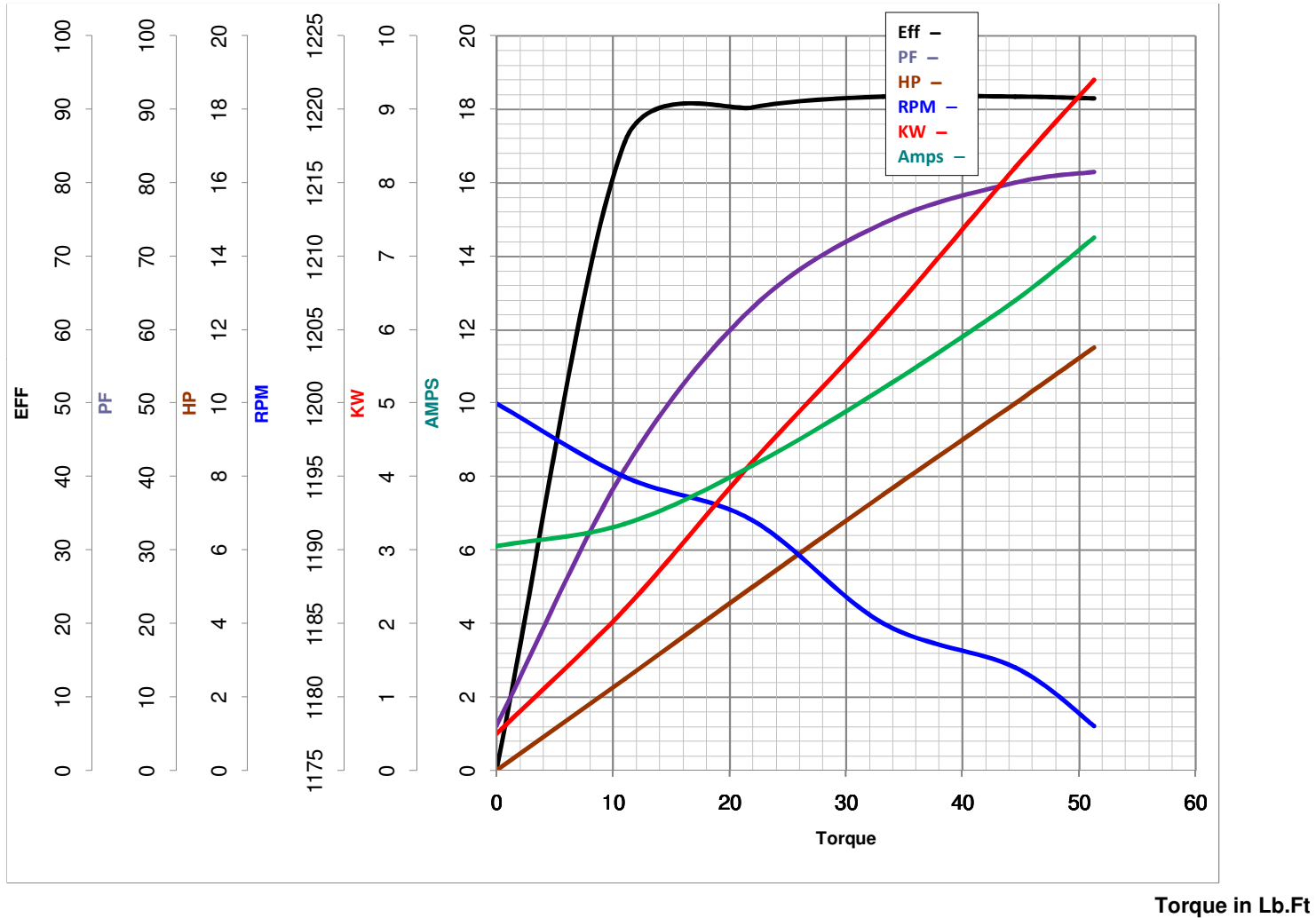
10

HP

Catalog No GT0058

HZ 60&50

RPM 1182&982



FL TORQUE 44.5 Lb.Ft  
 BD TORQUE 113.0 Lb.Ft  
 LR TORQUE 93 Lb.Ft

FL AMPS 25.6/12.8  
 PU TORQUE 78.0 Lb.Ft  
 LR AMPS 80

WINDING HE31606008-2 Prepared By FAREEDA

Date 5/4/2018