

# PRODUCT INFORMATION PACKET

Model No: 256TTFCD6003  
Catalog No: GT1224A  
20,3600,TEFC,256TC,3/60/230/460  
Totally Enclosed Fan Cooled (TEFC)



Regal and Marathon are trademarks of Regal Beloit Corporation or one of its affiliated companies.  
©2018 Regal Beloit Corporation, All Rights Reserved. MC017097E





### Nameplate Specifications

Output HP	<b>20 Hp</b>	Output KW	<b>14.9 kW</b>
Frequency	<b>60 Hz</b>	Voltage	<b>230/460 V</b>
Current	<b>47.5/23.7 A</b>	Speed	<b>3540 rpm</b>
Service Factor	<b>1.15</b>	Phase	<b>3</b>
Efficiency	<b>91 %</b>	Duty	<b>Continuous</b>
Insulation Class	<b>F</b>	Design Code	<b>B</b>
KVA Code	<b>G</b>	Frame	<b>256TC</b>
Enclosure	<b>Totally Enclosed Fan Cooled</b>	Overload Protector	<b>No</b>
Ambient Temperature	<b>40 °C</b>	Drive End Bearing Size	<b>6309</b>
Opp Drive End Bearing Size	<b>6209</b>	UL	<b>Listed</b>
CSA	<b>Y</b>	CE	<b>Y</b>
IP Code	<b>43</b>		

### Technical Specifications

Electrical Type	<b>Squirrel Cage Inverter Rated</b>	Starting Method	<b>Line Or Inverter</b>
Poles	<b>2</b>	Rotation	<b>Reversible</b>
Mounting	<b>Rigid base</b>	Motor Orientation	<b>Horizontal</b>
Drive End Bearing	<b>Ball</b>	Opp Drive End Bearing	<b>Ball</b>
Frame Material	<b>Cast Iron</b>	Shaft Type	<b>T</b>
Frame Length	<b>11.73 in</b>	Shaft Diameter	<b>1.626 in</b>
Shaft Extension	<b>4 in</b>	Assembly/Box Mounting	<b>F1/F2 Capable</b>
Outline Drawing	<b>B-SS620700</b>	Connection Diagram	<b>A-EE7308K</b>

This is an uncontrolled document once printed or downloaded and is subject to change without notice. Date Created: 07/02/2018

4

3

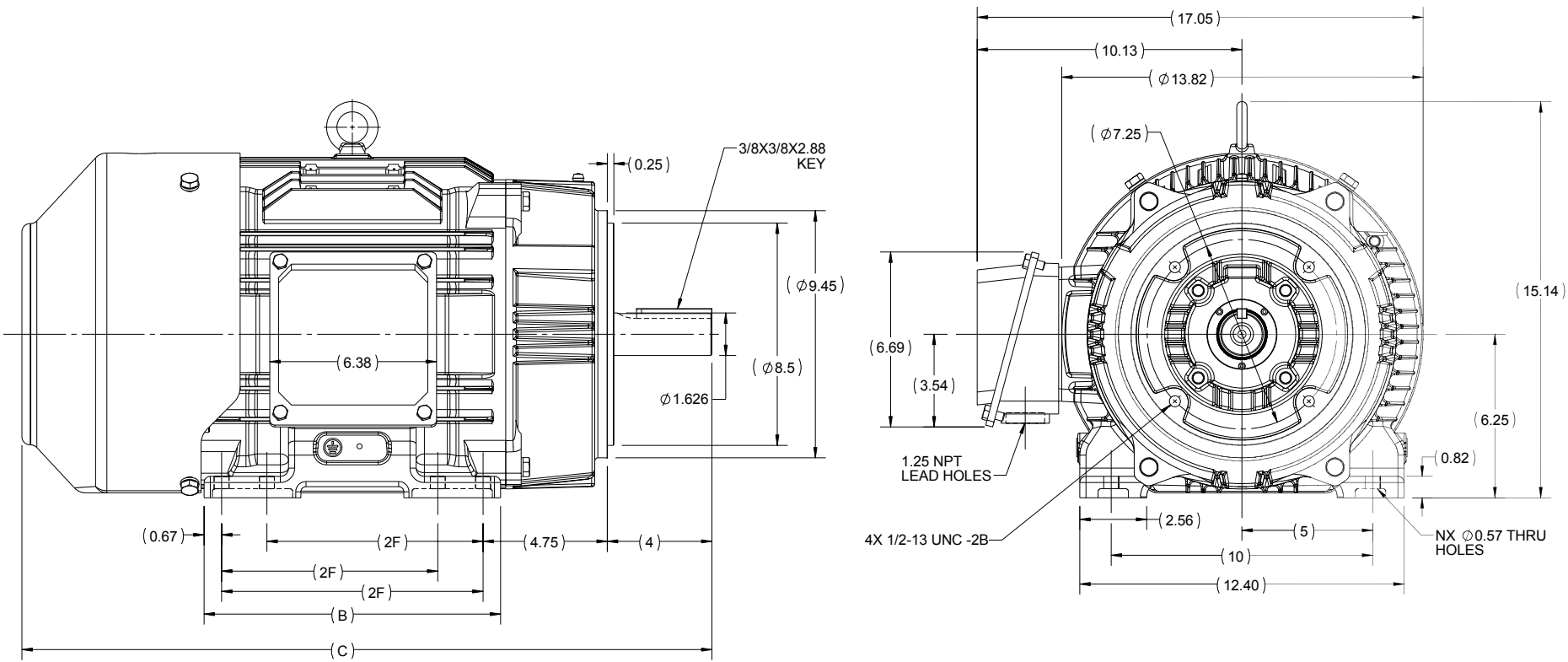
2

1

# OUTLINE

B

B



A

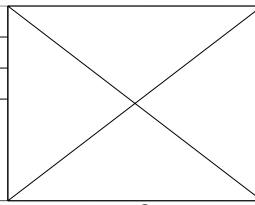
A

256TC	11.34	26.39	10	8
254TC	9.60	24.65	8.25	4
FRAME	B	C	2F	N

4

DRAWING REVISION A	REVISION BY UDAY	DATE 08/09/2015
ECO ECO-0084584	APPROVED BY SBD	DATE 08/09/2015
ECO DESCRIPTION NEW DRAWING RELEASE		
<small>COPYRIGHT REGAL BELOIT AMERICA, INC. ALL RIGHTS RESERVED.                  PROPRIETARY AND CONFIDENTIAL INFORMATION - THIS DOCUMENT IS THE PROPERTY OF                  REGAL BELOIT AMERICA, INC. ("OWNER") AND CONTAINS OWNER'S PROPRIETARY                  INFORMATION. ANY PERSON, CORPORATION OR OTHER FIRM RECEIVING IT IS DEEMED,                  BY RECEIVING IT, TO AGREE THAT IT, AND/OR ANY PART OF IT, SHALL NOT BE DISCLOSED                  TO ANY PERSON, CORPORATION OR OTHER ENTITY, DUPLICATED, AND/OR USED, EXCEPT                  AS EXPRESSLY APPROVED IN WRITING IN ADVANCE BY OWNER. THIS DOCUMENT SHALL                  BE RETURNED TO OWNER UPON REQUEST. IT MAY BE SUBJECT TO CERTAIN                  RESTRICTIONS UNDER APPLICABLE EXPORT CONTROL LAWS AND REGULATIONS.</small>		

3



2

DRAWN BY SMAR
DATE 06/07/2015
APPROVED BY SBD
DATE 06/07/2015
REFERENCE
THIRD ANGLE PROJECTION

REGAL-BELOIT CORPORATION	
DESCRIPTION <b>OUTLINE</b>	
254/256TC FR-TEFC-CAST IRON	
MATERIAL	PROCESS/FINISH
SIZE B	DRAWING NUMBER SS620700
	SHEET 1 OF 1

1

LOW VOLTAGE



HIGH VOLTAGE



VIEW OF TERMINAL END

				TOLERANCES UNLESS SPECIFIED		 REGAL - BELOIT CORPORATION	DRAWN PGK 06-04-1997			
NO.	REVISION	BY & DATE	CHK	ANG	±		UNIT	CHK	ML 06-05-1997	
E	CORRECTED IEC MARKINGS	ECO-0111208	WGJ	01-23-2017	EMH	DEC.	INCHES	APPD	GK 06-15-1997	
D	RE-DRAWN WITH REGAL LOGO	ECO-0110493	WGJ	09-30-2016	EMH	.X	±.1			
8	ADDED IEC DESIGNATIONS	MU95020	TJW	4/30/2010	MJS	.XX	±.02	TITLE CONNECTION DIAGRAM		
7	REVISED HIGH VOLTAGE L2 WAS L3	CN52600-354	MRB	09-21-1998		.XXX	±.005	SCALE		
6	REDRAWN ON CADD		PGK	06-05-1997		.XXXX	±.0005	REF		
								FMF		
								PREV		
THIS DRAWING IN DESIGN AND DETAIL IS OUR PROPERTY AND MUST NOT BE USED EXCEPT IN CONNECTION WITH OUR WORK ALL RIGHTS OF DESIGN AND INVENTION ARE RESERVED THIS IS AN ELECTRONICALLY GENERATED DOCUMENT - DO NOT SCALE THIS PRINT				RFP	CAD FILE EE7308K			SIZE	DRAWING NO. PAGE OF	REV.
				DIST				A	EE7308K	E



P.O. BOX 8003  
WAUSAU, WI 54401-8003  
PH. 715-675-3311

DATA VOLTS: 460

CERTIFICATION DATA SHEET

CUSTOMER: \_\_\_\_\_ CUSTOMER P.O. #: \_\_\_\_\_  
 ORDER #: \_\_\_\_\_ REFERENCE MODEL #: 256TTC0D8003  
 CONN. DIAGRAM: A-EE7308K CAT #: GT1224A  
 OUTLINE: B-SS620700 CUSTOMER PART #: \_\_\_\_\_  
 WINDING: HE31602007 NONE 2 MOUNTING: F1/F2 CAPABLE  
 SPEED: \_\_\_\_\_

TYPICAL MOTOR PERFORMANCE DATA

HP	KW	SYNC RPM	FL RPM	FRAME	ENCLOSURE	TYPE	KVA CODE	DESIGN	
20	14.9	3600	3540	256TC	TEFC	TFC	G	B	
PH	HZ	VOLTS	AMPS	START TYPE	DUTY	INSL	S.F.	AMB	ELEV.
3	60/50	230/460#190/380	47.5/23.7/843.5/21.7	LINE OR INVERTER	CONT	F	1.15	40	3300
	F.L. EFF	91.0	3/4 LD EFF	91.0	1/2 LD EFF	89.5	GTD EFF	ELECT. TYPE	
	F.L. PF	87.5	3/4 LD PF	84.0	1/2 LD PF	76.5	90.2	SO CAGE INV BATED	
	F.L. TORQUE	LR AMPS @ 460 V	L.R. TORQUE	B.D. TORQUE	F.L. RISE (°C)				
	29.7 LB-FT	143	49.0 LB-FT	185%	74.0 LB-FT	249%	60		
	@ 3 FT.	POWER	ROTOR WK <sup>2</sup>	MAX. LOAD WK <sup>2</sup>	SAFE STALL TIME	START/SHOUR	MOTOR WGT		
	72 DBA	81 DBA	1.35 LB-FT <sup>2</sup>	0 LB-FT <sup>2</sup>	20 SEC.	2	435 LB.		

\*\*\* SUPPLEMENTAL INFORMATION \*\*\*

DE BRACKET TYPE	ODE BRACKET TYPE	MOUNT TYPE	MOTOR ORIENTATION	SEVERE DUTY	HAZARDOUS LOCATION	DRIP COVER	SCREENS	PAINT
C-FACE	STANDARD	RIGID	HORIZONTAL	NO	NONE	NO	NONE	BLUE (ENAMEL)
BEARINGS	GREASE	SHAFT TYPE	SPECIAL DE	SPECIAL ODE	SHAFT	MATERIAL	FRAME MATERIAL	
DE BALL 6209	POLYREX EM	T	NONE	NONE	1045 HOT ROLLED (C-204)		CAST IRON	

THERMOSTATS	PROTECTORS	WDG RTD's	BRG RTD's	THERMISTORS	CONTROL	SPACE HEATERS
NONE	NOT	NONE	NONE	NONE	FALSE	NA
R1 (ohms/ph)	R2 (ohms/ph)	X1 (ohms/ph)	X2 (ohms/ph)	Xm (ohms/ph)	VIBRATION (in/sec)	FLOAT
0.362	0.192	1.122	0.937	33.938	0.150	ODE

* _____		INVERTER TORQUE: CONSTANT 10:1	
O _____		INV. HP SPEED RANGE: NONE	
T _____		ENCODER: NONE	
E _____		NONE	
S _____		BRAKE: NONE	
		NONE	
		FT-LB: NA	
		VOLTAGE: NONE	
		HZ: _____	

PREPARED BY: FAREEDA DUDEKULA  
 DATE: 5/3/2018  
 FORM: 3531 REV 4 2/27/06  
 UL: V/INS, CONST UL REC

Data Sheet

2561TFCD06003



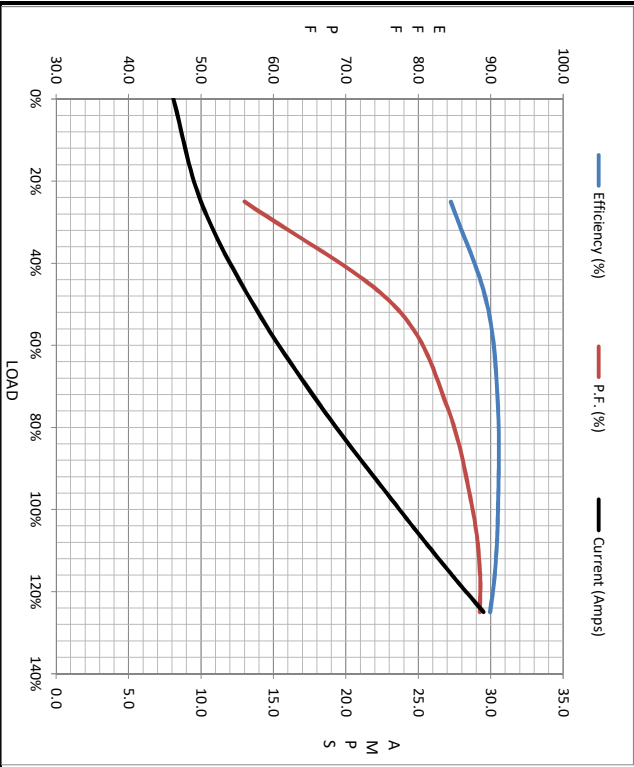
Date: 5/3/2018  
 Customer:   
 Attention:   
 Submitted by: FAREEDA DUDEKULA

2561TFCD06003  
 Submit  
 Data @ 460 V

Load	Motor Load Data							LR
	0%	25%	50%	75%	100%	115%	125%	
Current (Amps)	8.1	10.0	13.6	18.3	23.7	27.1	29.5	14.3
Torque (ft-lb)	0.00	7.3	14.7	22.0	29.7	34.0	37.0	49.0
RPM	3600	3585	3570	3555	3540	3530	3522	0
Efficiency (%)		84.5	89.5	91.0	91.0	90.6	89.9	
P.F. (%)	9.0	56.0	76.5	84.0	87.5	88.5	88.5	38.0

Motor Speed Data					
	LR	Pull-Up	BD	Rated	Idle
Speed (RPM)	0	1800	3258	3540	3600
Current (Amps)	143	128	83.0	23.7	8.1
Torque (ft-lb)	49.0	41.0	74.0	29.7	0.00

Information Block				
HP	20.0			
Sync. RPM	3600			
Frame	2561B2TFC080			
Enclosure	TEFC			
Construction	TFC			
Voltage	230/460#190/380 V			
Frequency	60 Hz			
Design	B			
LR Code letter	G			
Service Factor	1.15			
Temp Rise @ FL	60 °C			
Duty	CONT			
Ambient	40 °C			
Elevation	1,000 feet			
Rotor/Shaft wk <sup>2</sup>	1.35 Lb-Ft <sup>2</sup>			
Ret Wdg	HE31602007 NONE			
Sound Pressure @ 1M	72 dBA			
VFD Rating	CONSTANT 10:1			
Outline Dwg	B-SS620700			
Conn. Diag	A-EE7308K			
Additional Specifications:				
EQUIV CKT (OHMS / PHASE)				
R1	R2	X1	X2	Xm
0.3620	0.1920	1.1220	0.9370	33.9380



Information Block				
HP	20.0			
Sync. RPM	3600			
Frame	2561B2TFC080			
Enclosure	TEFC			
Construction	TFC			
Voltage	230/460#190/380 V			
Frequency	60 Hz			
Design	B			
LR Code letter	G			
Service Factor	1.15			
Temp Rise @ FL	60 °C			
Duty	CONT			
Ambient	40 °C			
Elevation	1,000 feet			
Rotor/Shaft wk <sup>2</sup>	1.35 Lb-Ft <sup>2</sup>			
Ret Wdg	HE31602007 NONE			
Sound Pressure @ 1M	72 dBA			
VFD Rating	CONSTANT 10:1			
Outline Dwg	B-SS620700			
Conn. Diag	A-EE7308K			
Additional Specifications:				
EQUIV CKT (OHMS / PHASE)				
R1	R2	X1	X2	Xm
0.3620	0.1920	1.1220	0.9370	33.9380

