

PRODUCT INFORMATION PACKET

marathon[®]
Motors

Model No: 256TTGN16552
Catalog No: E506-P
20,1800,EPFC,256T,3/60/230/460
Explosion Proof



Regal and Marathon are trademarks of Regal Beloit Corporation or one of its affiliated companies.
©2018 Regal Beloit Corporation, All Rights Reserved. MC017097E

REGAL[®]



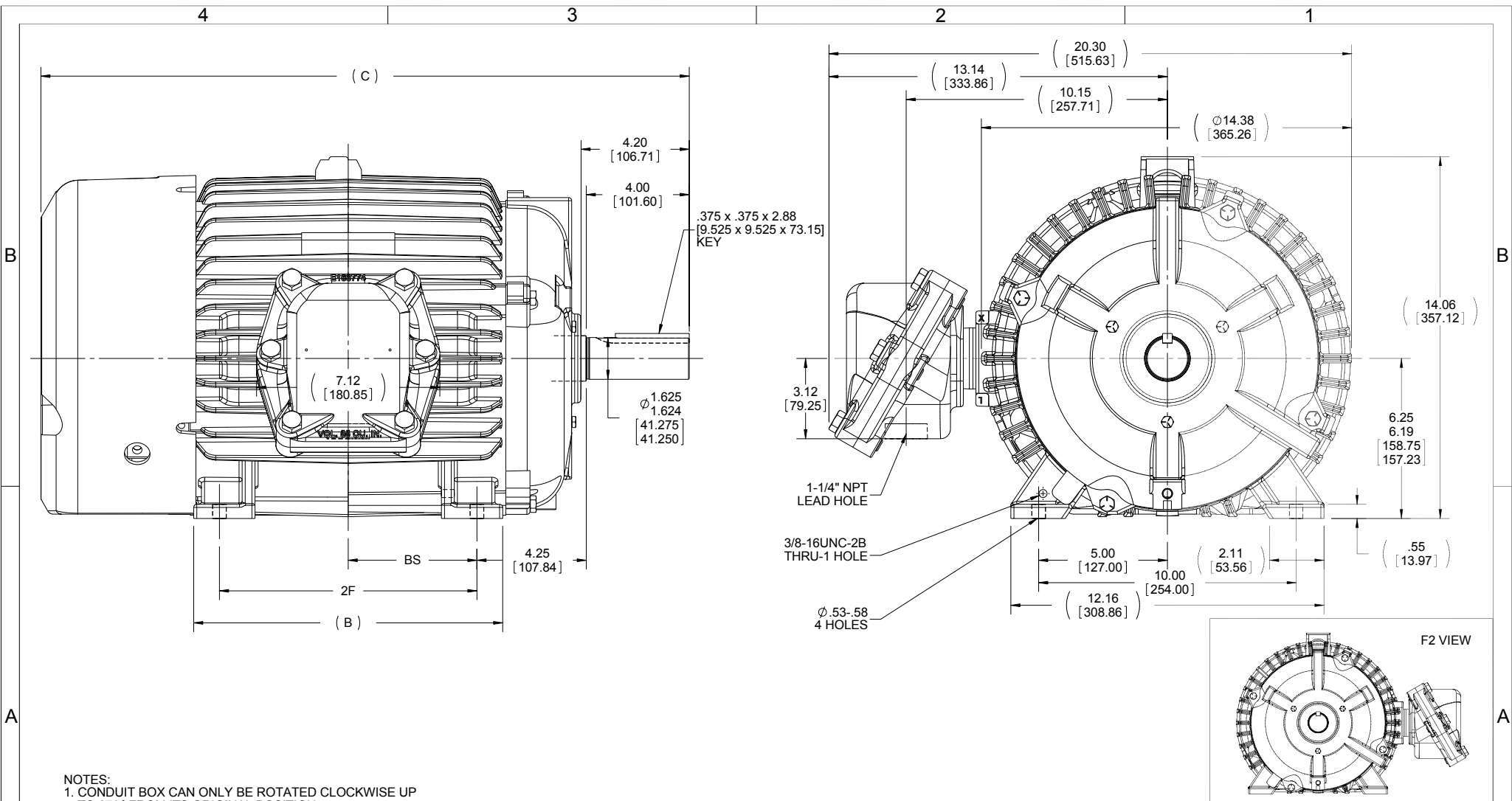
Nameplate Specifications

Output HP	20 Hp	Output KW	14.9 kW
Frequency	60 Hz	Voltage	230/460 V
Current	48.0/24.1 A	Speed	1775 rpm
Service Factor	1.15	Phase	3
Efficiency	93 %	Duty	Continuous
Insulation Class	F	Design Code	B
KVA Code	G	Frame	256T
Enclosure	Explosion Proof Fan cooled	Overload Protector	No
Ambient Temperature	40 °C	Drive End Bearing Size	6309
Opp Drive End Bearing Size	6210	UL	No
CSA	N	CE	N
IP Code	54		

Technical Specifications

Electrical Type	Squirrel Cage Inverter Rated	Starting Method	Line Or Inverter
Poles	4	Rotation	Reversible
Mounting	Rigid base	Motor Orientation	Horizontal
Drive End Bearing	Ball	Opp Drive End Bearing	Ball
Frame Material	Cast Iron	Shaft Type	T
Overall Length	25.27 in	Frame Length	12.25 in
Shaft Diameter	1.625 in	Shaft Extension	4.18 in
Assembly/Box Mounting	F1 Only		
Outline Drawing	B-SS203001-1225	Connection Diagram	A-EE7308AD

This is an uncontrolled document once printed or downloaded and is subject to change without notice. Date Created: 07/02/2018



NOTES:
 1. CONDUIT BOX CAN ONLY BE ROTATED CLOCKWISE UP TO 270° FROM ITS ORIGINAL POSITION.
 2. NAMEPLATES TO BE READ FROM CONDUIT BOX SIDE OF MOTOR.

DASH	FRAME	B	C	2F	2FF	BS
1050	254T	10.25 [260.35]	23.52 [597.71]	---	8.25 [209.55]	4.12 [104.65]
1225	256T	12.00 [304.80]	25.27 [641.86]	---	10.00 [254.00]	5.00 [127.00]

DRAWING REVISION E	REVISION BY JWO	DATE 08-06-2015
ECO ECO-0083060	APPROVED BY	DATE
ECO DESCRIPTION REVISED C DIMENSION		
<small>COPYRIGHT REGAL BELOIT AMERICA, INC. ALL RIGHTS RESERVED. PROPRIETARY AND CONFIDENTIAL INFORMATION - THIS DOCUMENT IS THE PROPERTY OF REGAL BELOIT AMERICA, INC. ("OWNER") AND CONTAINS OWNER'S PROPRIETARY INFORMATION. ANY PERSON, CORPORATION OR OTHER FIRM RECEIVING IT IS DEEMED, BY RECEIVING IT, TO AGREE THAT IT, AND/OR ANY PART OF IT, SHALL NOT BE DISCLOSED TO ANY PERSON, CORPORATION OR OTHER ENTITY, DUPLICATED, AND/OR USED, EXCEPT AS EXPRESSLY APPROVED IN WRITING IN ADVANCE BY OWNER. THIS DOCUMENT SHALL BE RETURNED TO OWNER UPON REQUEST. IT MAY BE SUBJECT TO CERTAIN RESTRICTIONS UNDER APPLICABLE EXPORT CONTROL LAWS AND REGULATIONS.</small>		

TOLERANCES UNLESS OTHERWISE SPECIFIED:		
DEC.	INCH	mm
.X	+0.1	[+2.5]
.XX	+0.03	[+0.76]
.XXX	+0.005	[+0.127]
.XXXX	+0.0005	[+0.0127]
REMOVE BURRS & BREAK SHARP EDGES: .003/.015 [0.076/.381]		
CORNER FILLETS: .02 [0.51]		
MACHINED SURFACES: 200 INCH 5.1 mm		
mm SHOWN IN [BRACKETS]		

DRAWN BY RM	DATE 12-14-1993
APPROVED BY FG	DATE 12-15-1993
REFERENCE	THIRD ANGLE PROJECTION

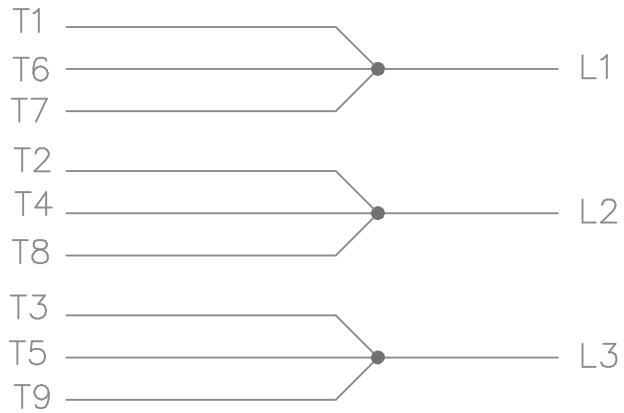
REGAL™ Regal Beloit America, Inc.

DESCRIPTION
OUTLINE
250T FR. EXP. PR. - BB - TS - STD.

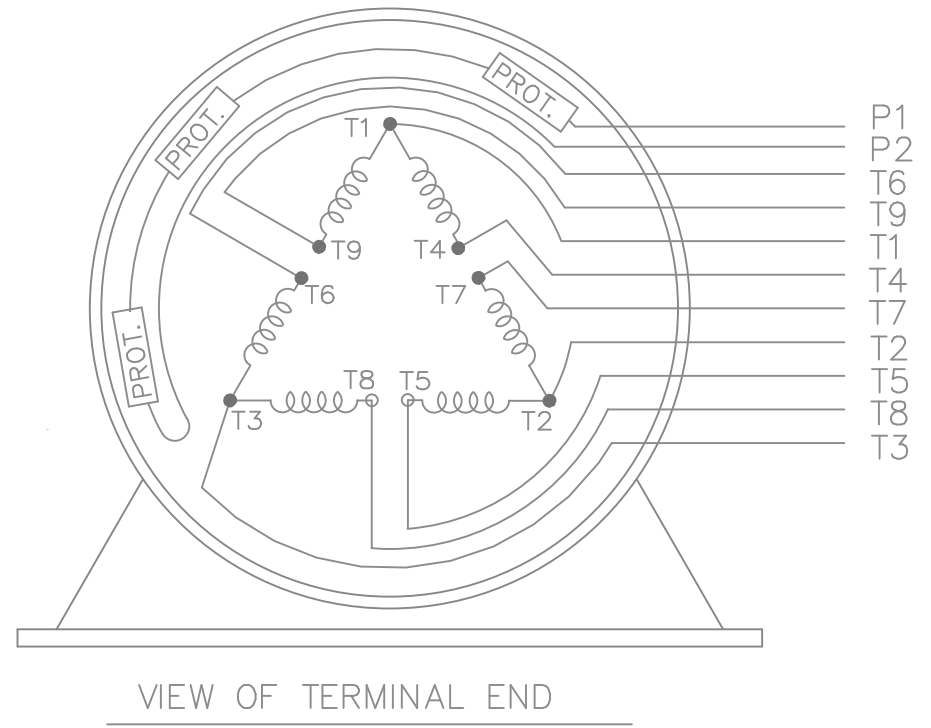
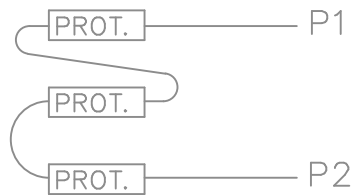
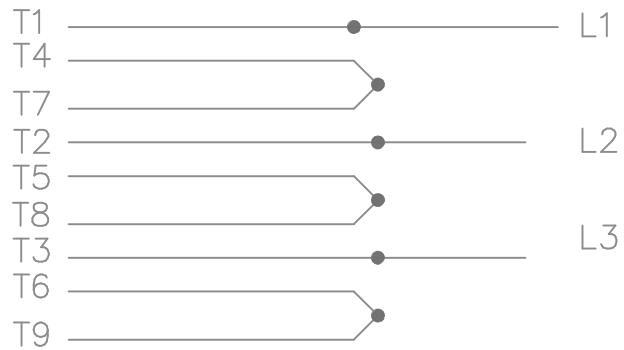
MATERIAL PROCESS/FINISH

SIZE B DRAWING NUMBER **SS203001** SHEET 1 OF 1

LOW VOLTAGE



HIGH VOLTAGE



VIEW OF TERMINAL END

WHEN MORE THAN ONE PROT. IS USED; PROT. ARE CONNECTED IN SERIES

				TOLERANCES UNLESS SPECIFIED			DRAWN MJD 12-19-1997					
				DEC.	INCHES		CHK ML 01-07-1998					
				.X	±.1		APPD GK 01-07-1998					
				.XX	±.02		SCALE					
8	HIGH VOLT. SCHEMATIC WAS L1, L3 & L3	CN 32724	DRS 06-12-2004	ML	.XXX	±.005	TITLE CONNECTION DIAGRAM					
7	REDRAWN ON CADD		MJD 01-07-1998		.XXXX	±.0005	3φ - WITH PROTECTORS					
NO.	REVISION	BY & DATE	CHK	ANG	±7'30"	FINISH	REF					
				RFP	CAD FILE ee7308ad			SIZE	DRAWING NO.	PAGE	OF	REV.
				DIST	WA-LB			A	EE7308AD			8

THIS DRAWING IN DESIGN AND DETAIL IS OUR PROPERTY AND MUST NOT BE USED EXCEPT IN CONNECTION WITH OUR WORK ALL RIGHTS OF DESIGN AND INVENTION ARE RESERVED THIS IS AN ELECTRONICALLY GENERATED DOCUMENT - DO NOT SCALE THIS PRINT

** Subject to change without notice.

Data Sheet

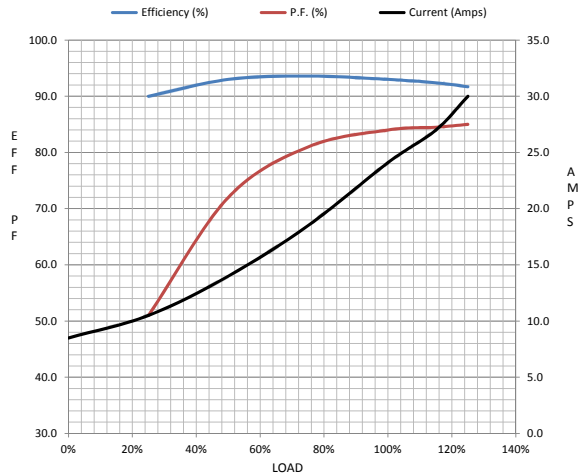
Date: 29-06-2017
 Customer: _____
 Attention: _____
 Submitted by: FAREEDA DUDEKULA



256TTGN16552
Submittal
 Data @ 460 V

Motor Load Data									
Load	0%	25%	50%	75%	100%	115%	125%	LR	
Current (Amps)	8.5	10.5	14.0	18.5	24.1	27.0	30.0	138	
Torque (ft-lb)	0.00	14.5	29.5	44.5	59.2	68.0	74.5	105	
RPM	1800	1795	1785	1780	1775	1,770	1760	0	
Efficiency (%)		90.0	93.0	93.6	93.0	92.4	91.7		
P.F. (%)	8.5	51.0	72.0	81.0	84.0	84.5	85.0	40.0	

Motor Speed Data						Information Block	
	LR	Pull-Up	BD	Rated	Idle		
Speed (RPM)	0	900	1625	1775	1800	HP	20.0
Current (Amps)	138	115	86.0	24.1	8.5	Sync. RPM	1800
Torque (ft-lb)	105	100	146	59.2	0.00	Frame	256



Enclosure	TEFC			
Construction	TFN			
Voltage	30/460#190/38V			
Frequency	60 Hz			
Design	B			
LR Code letter	G			
Service Factor	1.15			
Temp Rise @ FL	65 ° C			
Duty	CONT			
Ambient	40 ° C			
Elevation	1,000 feet			
Rotor/Shaft wk ²	3.2 Lb-Ft ²			
Ref Wdg	K2564164 NONE			
Sound Pressure @ 1M	65 dBA			
VFD Rating	CONSTANT 10:1			
Outline Dwg	B-SS203001-1225			
Conn. Diag	A-EE7308AD			
Additional Specifications:				
0				
365THFS8036				
EQUIV CKT (OHMS / PHASE)				
R1	R2	X1	X2	Xm
0.2670	0.2070	0.9900	1.4910	28.4000

