

PRODUCT INFORMATION PACKET

Model No: 284TSTFCD6003
Catalog No: GT1227A
25,3600,TEFC,284TSC,3/60/230/460
Totally Enclosed Fan Cooled (TEFC)



Regal and Marathon are trademarks of Regal Beloit Corporation or one of its affiliated companies.
©2018 Regal Beloit Corporation, All Rights Reserved. MC017097E



Nameplate Specifications

| | | | |
|----------------------------|------------------------------------|------------------------|-------------------|
| Output HP | 25 Hp | Output KW | 18.7 kW |
| Frequency | 60 Hz | Voltage | 230/460 V |
| Current | 60.0/30.0 A | Speed | 3555 rpm |
| Service Factor | 1.15 | Phase | 3 |
| Efficiency | 91.7 % | Duty | Continuous |
| Insulation Class | F | Design Code | B |
| KVA Code | G | Frame | 284TSC |
| Enclosure | Totally Enclosed Fan Cooled | Overload Protector | No |
| Ambient Temperature | 40 °C | Drive End Bearing Size | 6211 |
| Opp Drive End Bearing Size | 6211 | UL | Recognized |
| CSA | Y | CE | Y |
| IP Code | 43 | | |

Technical Specifications

| | | | |
|-------------------|-------------------------------------|-----------------------|-------------------------|
| Electrical Type | Squirrel Cage Inverter Rated | Starting Method | Line Or Inverter |
| Poles | 2 | Rotation | Reversible |
| Mounting | Rigid base | Motor Orientation | Horizontal |
| Drive End Bearing | Ball | Opp Drive End Bearing | Ball |
| Frame Material | Cast Iron | Shaft Type | TS |
| Frame Length | 11.41 in | Shaft Diameter | 1.625 in |
| Shaft Extension | 3.25 in | Assembly/Box Mounting | F1/F2 Capable |
| Outline Drawing | B-SS620706 | Connection Diagram | A-EE7308AA |

This is an uncontrolled document once printed or downloaded and is subject to change without notice. Date Created: 07/02/2018

4

3

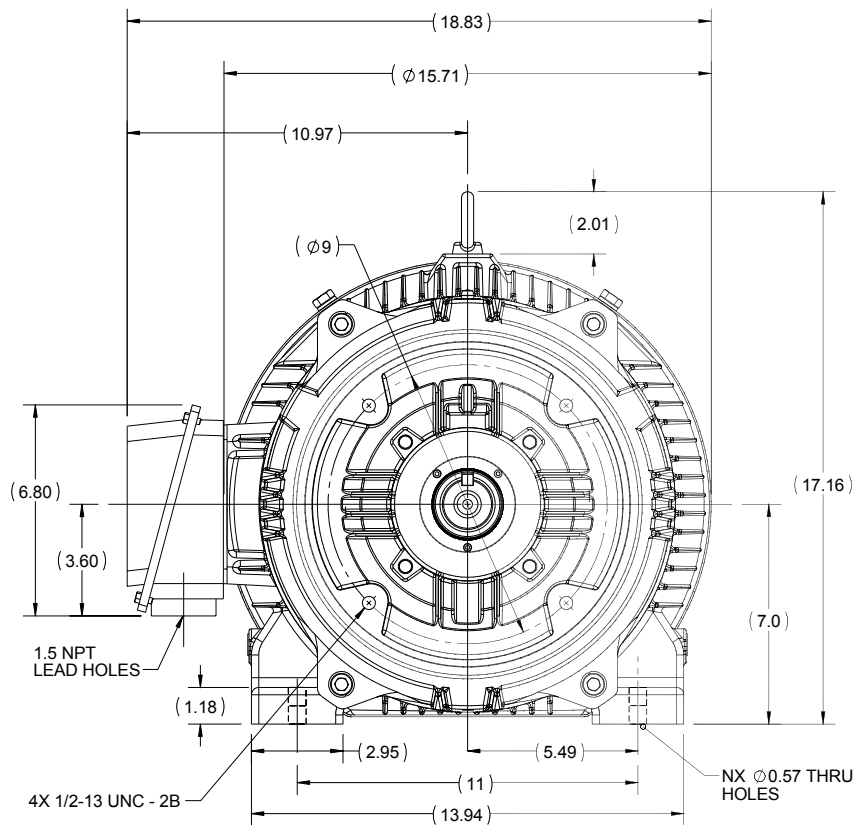
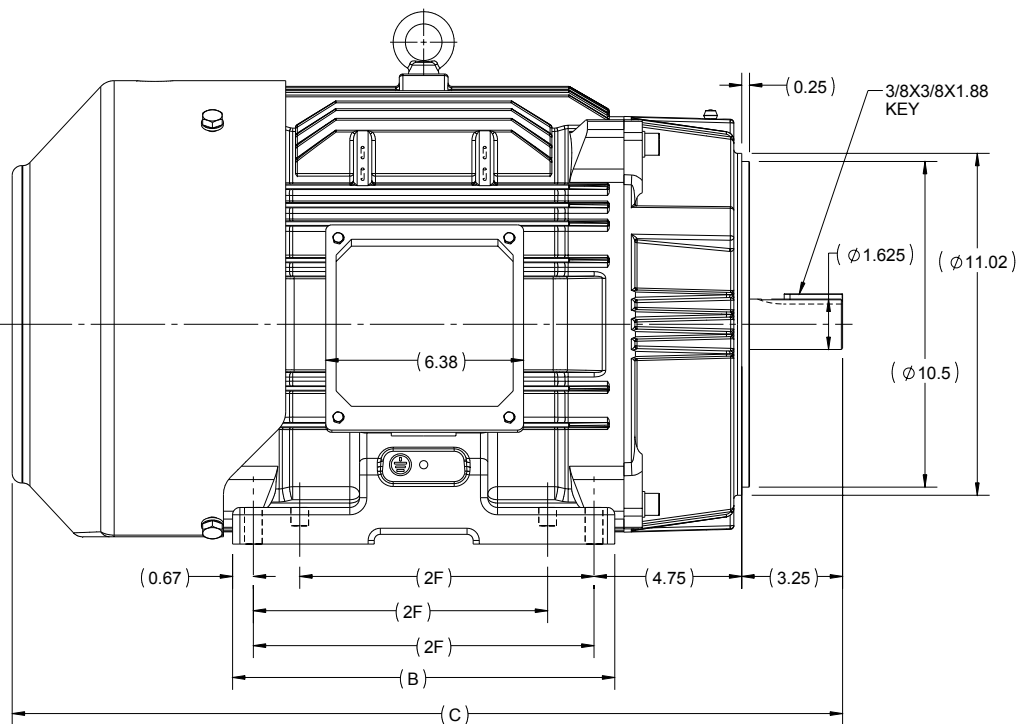
2

1

OUTLINE

B

B



A

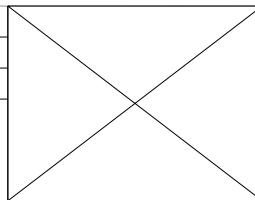
A

| | | | | |
|-------|-------|-------|-----|---|
| 286 | 12.32 | 26.77 | 11 | 8 |
| 284 | 10.82 | 25.28 | 9.5 | 4 |
| FRAME | B | C | 2F | N |

4

| | | |
|---|---------------------|--------------------|
| DRAWING REVISION A | REVISION BY UDAY | DATE 22/09/2015 |
| ECO ECO-0084890 | APPROVED BY SBD | DATE 22/09/2015 |
| ECO DESCRIPTION NEW DRAWING | | |
| <small>COPYRIGHT REGAL BELOIT AMERICA, INC. ALL RIGHTS RESERVED. PROPRIETARY AND CONFIDENTIAL INFORMATION - THIS DOCUMENT IS THE PROPERTY OF REGAL BELOIT AMERICA, INC. ("OWNER") AND CONTAINS OWNER'S PROPRIETARY INFORMATION. ANY PERSON, CORPORATION OR OTHER FIRM RECEIVING IT IS DEEMED, BY RECEIVING IT, TO AGREE THAT IT, AND/OR ANY PART OF IT, SHALL NOT BE DISCLOSED TO ANY PERSON, CORPORATION OR OTHER ENTITY, DUPLICATED, AND/OR USED, EXCEPT AS EXPRESSLY APPROVED IN WRITING IN ADVANCE BY OWNER. THIS DOCUMENT SHALL BE RETURNED TO OWNER UPON REQUEST. IT MAY BE SUBJECT TO CERTAIN RESTRICTIONS UNDER APPLICABLE EXPORT CONTROL LAWS AND REGULATIONS.</small> | | |

3



2

| |
|---------------------------|
| DRAWN BY SMAR |
| DATE 28/09/2015 |
| APPROVED BY SBD |
| DATE 28/09/2015 |
| REFERENCE |
| THIRD ANGLE PROJECTION |

| | |
|-------------------------------|----------------------------|
| REGAL-BELOIT CORPORATION | |
| DESCRIPTION OUTLINE | |
| 284/286TSC FR-TEFC-CAST IRON | |
| MATERIAL | PROCESS/FINISH |
| SIZE B | DRAWING NUMBER SS620706 |
| | SHEET 1 OF 1 |

1



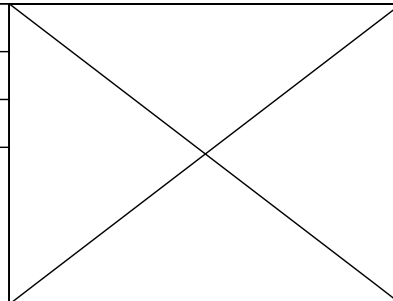
LOW VOLTAGE



HIGH VOLTAGE



| | | |
|--|------------------------------|---------------------------|
| DRAWING REVISION K | REVISION BY AJW | DATE 07-17-2015 |
| ECO ECO-0081632 | APPROVED BY T. VUE | DATE 07-17-2015 |
| ECO DESCRIPTION REV'D IEC MARKINGS PER IEC 60034-8 | | |
| COPYRIGHT REGAL BELOIT AMERICA, INC. ALL RIGHTS RESERVED. PROPRIETARY AND CONFIDENTIAL INFORMATION - THIS DOCUMENT IS THE PROPERTY OF REGAL BELOIT AMERICA, INC. ("OWNER") AND CONTAINS OWNER'S PROPRIETARY INFORMATION. ANY PERSON, CORPORATION OR OTHER FIRM RECEIVING IT IS DEEMED, BY RECEIVING IT, TO AGREE THAT IT, AND/OR ANY PART OF IT, SHALL NOT BE DISCLOSED TO ANY PERSON, CORPORATION OR OTHER ENTITY, DUPLICATED, AND/OR USED, EXCEPT AS EXPRESSLY APPROVED IN WRITING IN ADVANCE BY OWNER. THIS DOCUMENT SHALL BE RETURNED TO OWNER UPON REQUEST. IT MAY BE SUBJECT TO CERTAIN RESTRICTIONS UNDER APPLICABLE EXPORT CONTROL LAWS AND REGULATIONS. | | |



| | | |
|---------------------------|---|-----------------------------------|
| DRAWN BY LZ | Regal Beloit America, Inc. | |
| DATE 01-12-1994 | | |
| APPROVED BY GK | DESCRIPTION CONN DIAGRAM-EXTERNAL 3Ø-2/1 DELTA-12 LEADS | |
| DATE 01-14-1994 | | |
| REFERENCE | MATERIAL | PROCESS/FINISH |
| THIRD ANGLE PROJECTION | SIZE A | DRAWING NUMBER EE7308AA |
| | | SHEET 1 OF 1 |



P.O. BOX 8003
WAUSAU, WI 54401-8003
PH. 715-675-3311

DATA VOLTS: 460

CERTIFICATION DATA SHEET

CUSTOMER P.O. #:
 ORDER #: A-EE7308AA
 REFERENCE MODEL #: 284TSTFC06003
 CONN. DIAGRAM: B-SS620701
 CAT #: GT11227A
 OUTLINE: HE31802004 NONE 2
 CUSTOMER PART #:
 WINDING: HE31802004 NONE 2
 MOUNTING: F1/F2 CAPABLE
 SPEED:
 TYPICAL MOTOR PERFORMANCE DATA

| HP | KW | SYNC RPM | FL RPM | FRAME | ENCLOSURE | TYPE | KVA CODE | DESIGN |
|----|------|----------|--------|--------|-----------|------|----------|--------|
| 25 | 18.7 | 3600 | 3555 | 284TSC | TEFC | TFC | G | B |

| PH | HZ | VOLTS | AMPS | START TYPE | DUTY | INSL | S.F. | AMB | ELEV. |
|-------------|-------|-----------------|-------------|-------------------------|------------|---------------------------|---------|-------------------|-------|
| 3 | 60/50 | 230/460#190/380 | 60/30/58/29 | LINE OR INVERTER | CONT | F | 1.15 | 40 | 3300 |
| F.L. EFF | | 91.7 | 3/4 LD EFF | 91.7 | 1/2 LD EFF | 91.0 | GTD EFF | ELECT. TYPE | |
| F.L. PF | | 86.0 | 3/4 LD PF | 82.0 | 1/2 LD PF | 73.5 | 91.0 | SO CAGE INV BATED | |
| F.L. TORQUE | | LR AMPS @ 460 V | | L.R. TORQUE | | B.D. TORQUE | | F.L. RISE (°C) | |
| 37.0 LB-FT | | 181 | | 65.0 LB-FT | | 176% | | 94.0 LB-FT | |
| @ 3 FT. DBA | | POWER | | ROTOR WK ² | | MAX. LOAD WK ² | | SAFE STALL TIME | |
| 72 DBA | | 81 DBA | | 2.90 LB-FT ² | | 32 LB-FT ² | | 20 SEC. | |
| | | | | | | | | START/SHOUR | |
| | | | | | | | | 2 | |
| | | | | | | | | MOTOR WGT | |
| | | | | | | | | 460 LB. | |

*** SUPPLEMENTAL INFORMATION ***

| DE BRACKET TYPE | ODE BRACKET TYPE | MOUNT TYPE | MOTOR ORIENTATION | SEVERE DUTY | HAZARDOUS LOCATION | DRIP COVER | SCREENS | PAINT |
|-----------------|------------------|------------|-------------------|-------------|--------------------|-------------------------|----------|----------------|
| C-FACE | STANDARD | RIGID | HORIZONTAL | NO | NONE | NO | NONE | BLUE (ENAMEL) |
| BEARINGS | | GREASE | SHAFT TYPE | SPECIAL DE | SPECIAL ODE | SHAFT | MATERIAL | FRAME MATERIAL |
| DE BALL 6211 | ODE BALL 6211 | POLYREX EM | TS | NONE | NONE | 1045 HOT ROLLED (C-204) | | CAST IRON |

| THERMOSTATS | PROTECTORS | WDG RTD's | BRG RTD's | THERMISTORS | CONTROL | SPACE HEATERS |
|--------------|--------------|--------------|--------------|--------------|--------------------|---------------|
| NONE | NOT | NONE | NONE | NONE | FALSE | NA |
| R1 (ohms/ph) | R2 (ohms/ph) | X1 (ohms/ph) | X2 (ohms/ph) | Xm (ohms/ph) | VIBRATION (in/sec) | FLOAT |
| 0.261 | 0.113 | 0.826 | 0.864 | 24.381 | 0.150 | ODE |

| | | | |
|-----|--|--------------------------------|--|
| * N | | INVERTER TORQUE: CONSTANT 10:1 | |
| O | | INV. HP SPEED RANGE: NONE | |
| T | | ENCODER: NONE | |
| E | | BRAKE: NONE | |
| S | | FT-LB: NONE | |
| . | | VOLTAGE: NONE | |
| | | HZ: NONE | |

PREPARED BY: FAREEDA DUDEKULA
 DATE: 5/3/2018
 FORM: 3531 REV_4 2/27/06
 UL: V:INS, CONST UL REC

Data Sheet

2841STFCDB003

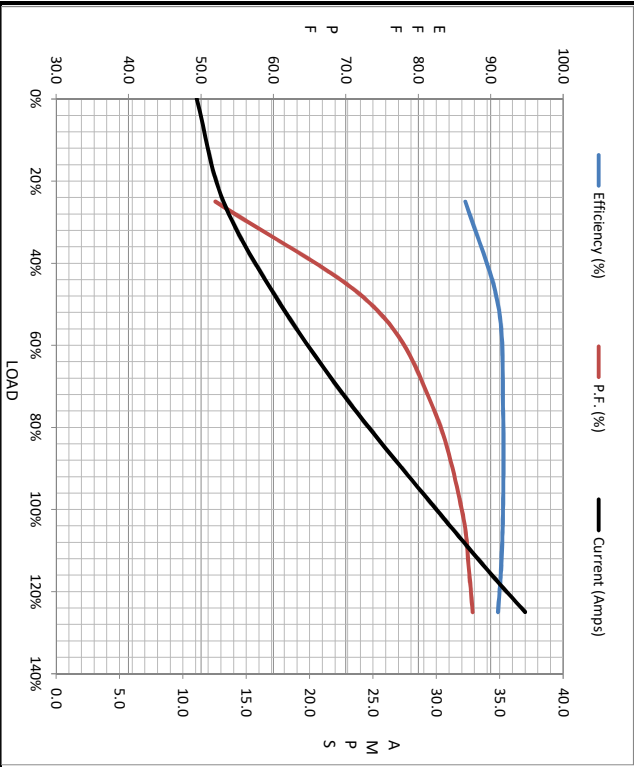


Date: 5/3/2018
 Customer:
 Attention:
 Submitted by: FAREEDA DUDEKULA

2841STFCDB003
 Submit
 Data @ 460 V

| Load | Motor Load Data | | | | | | | | | |
|----------------|-----------------|------|------|------|------|-------|------|------|--|--|
| | 0% | 25% | 50% | 75% | 100% | 115% | 125% | LR | | |
| Current (Amps) | 11.1 | 13.2 | 17.7 | 23.4 | 30.0 | 34.1 | 37.0 | 181 | | |
| Torque (ft-lb) | 0.00 | 9.2 | 18.5 | 27.5 | 37.0 | 42.5 | 46.3 | 65.0 | | |
| RPM | 3600 | 3588 | 3578 | 3565 | 3555 | 3,546 | 3540 | 0 | | |
| Efficiency (%) | | 86.5 | 91.0 | 91.7 | 91.7 | 91.4 | 91.0 | | | |
| P.F. (%) | 8.0 | 52.0 | 73.5 | 82.0 | 86.0 | 87.0 | 87.5 | 35.0 | | |

| | Motor Speed Data | | | | | Information Block | | | | | | | | | | | | | | | | | | | | | |
|----------------|------------------|---------|------|-------|------|-------------------|---------------|-----------|--------------|-----------------|-----------|--------|----------------|----------------|----------------|------|---------|------------|-----------------------------|------------|---------------------|------------|-------------|---------------|----------------------------|------------|--|
| | LR | Pull-Up | BD | Rated | Idle | HP | Frame | Enclosure | Construction | Voltage | Frequency | Design | LR Code letter | Service Factor | Temp Rise @ FL | Duty | Ambient | Elevation | Motor/Shaft wk ² | Ret Wdg | Sound Pressure @ 1M | VFD Rating | Outline Dwg | Conn. Diag | Additional Specifications: | | |
| Speed (RPM) | 0 | 1800 | 3330 | 3555 | 3600 | 25.0 | 2841B2TFCB080 | TEFC | TFC | 230/460#190/380 | 60 | B | G | 1.15 | 55 | CONT | 40 °C | 1,000 feet | 2.90 Lb-Ft ² | HE31802004 | NONE | 72 | dbA | CONSTANT 10.1 | B-SS620701 | A-EE7308AA | |
| Current (Amps) | 181 | 166 | 105 | 30.0 | 11.1 | | | | | | | | | | | | | | | | | | | | | | |
| Torque (ft-lb) | 65.0 | 56.0 | 94.0 | 37.0 | 0.00 | | | | | | | | | | | | | | | | | | | | | | |



| | R1 | R2 | X1 | X2 | Xm |
|--------------------------|--------|--------|--------|--------|---------|
| EQUIV CKT (OHMS / PHASE) | 0.2610 | 0.1130 | 0.8280 | 0.8640 | 24.3810 |

