

PRODUCT INFORMATION PACKET

marathon[®]
Motors

Model No: 284TTFCD6080
Catalog No: GT1123A
15,1200,TEFC,284T,3/60/575
Totally Enclosed Fan Cooled (TEFC)



Regal and Marathon are trademarks of Regal Beloit Corporation or one of its affiliated companies.
©2018 Regal Beloit Corporation, All Rights Reserved. MC017097E

REGAL[®]



Nameplate Specifications

Output HP	15 Hp	Output KW	11.2 kW
Frequency	60 Hz	Voltage	575 V
Current	16.0 A	Speed	1182 rpm
Service Factor	1.15	Phase	3
Efficiency	91.7 %	Duty	Continuous
Insulation Class	F	Design Code	B
KVA Code	G	Frame	284T
Enclosure	Totally Enclosed Fan Cooled	Overload Protector	No
Ambient Temperature	40 °C	Drive End Bearing Size	6311
Opp Drive End Bearing Size	6211	UL	Listed
CSA	Y	CE	Y
IP Code	55		

Technical Specifications

Electrical Type	Squirrel Cage Inverter Rated	Starting Method	Line Or Inverter
Poles	6	Rotation	Reversible
Mounting	Rigid base	Motor Orientation	Horizontal
Drive End Bearing	Ball	Opp Drive End Bearing	Ball
Frame Material	Cast Iron	Shaft Type	T
Frame Length	11.41 in	Shaft Diameter	1.875 in
Shaft Extension	4.62 in	Assembly/Box Mounting	F1/F2 Capable
Outline Drawing	SS620704	Connection Diagram	EE7300

This is an uncontrolled document once printed or downloaded and is subject to change without notice. Date Created: 07/02/2018

4

3

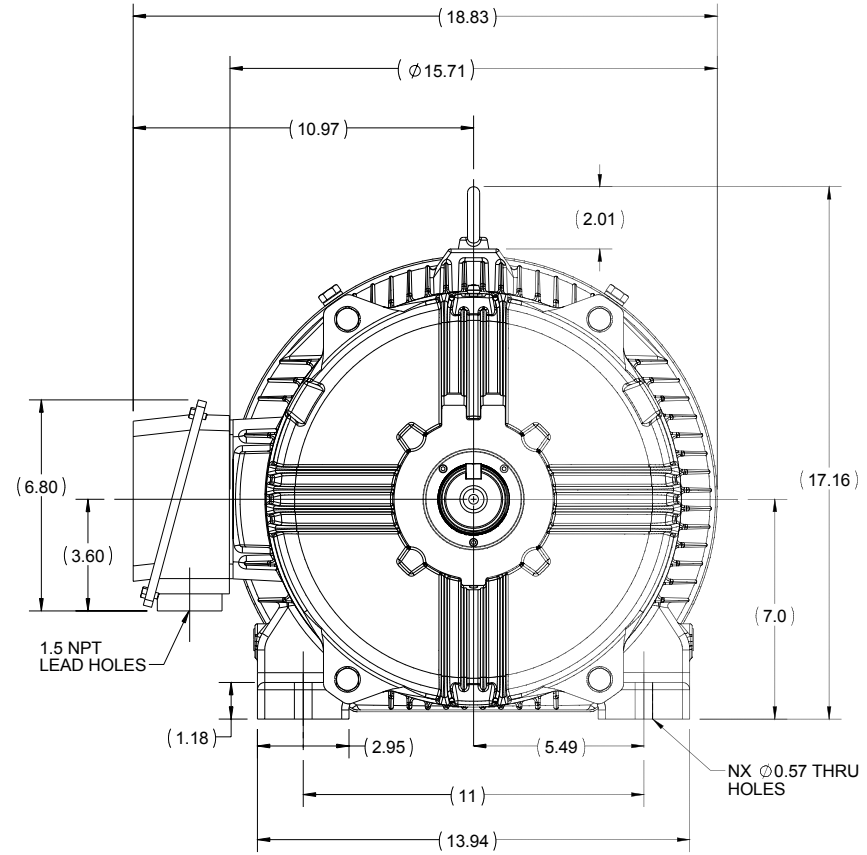
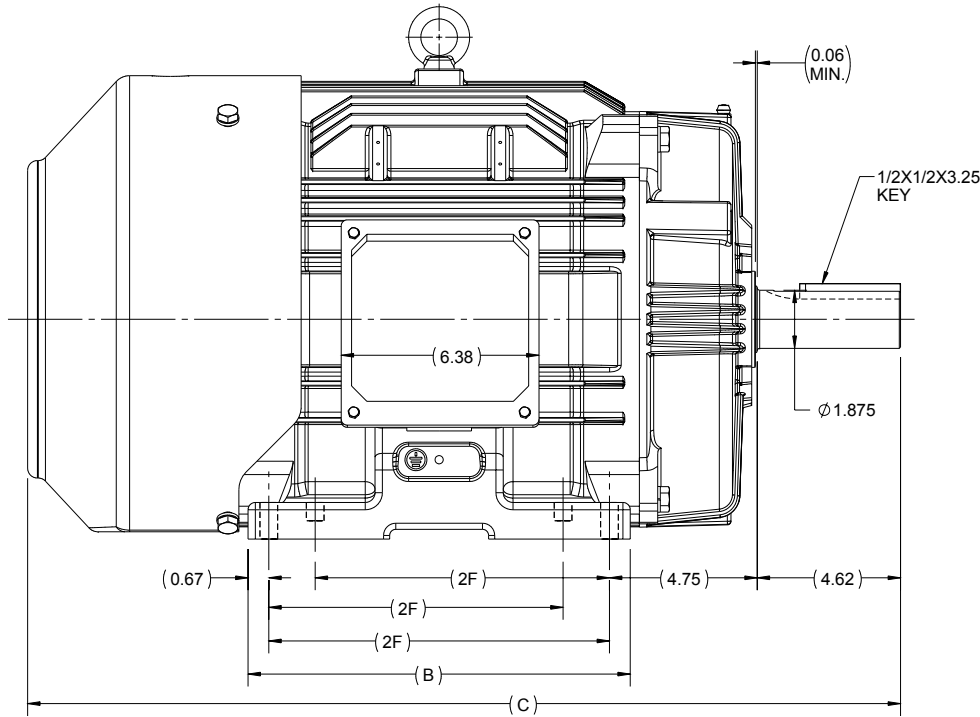
2

1

OUTLINE

B

B



A

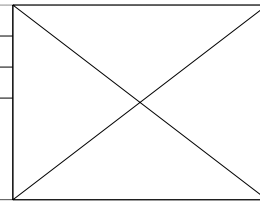
A

286	12.32	28.14	11	8
284	10.82	26.65	9.5	4
FRAME	B	C	2F	N

4

DRAWING REVISION A	REVISION BY UDAY	DATE 08/09/2015
ECO ECO-0084584	APPROVED BY SBD	DATE 08/09/2015
ECO DESCRIPTION NEW DRAWING RELEASE		
<small>COPYRIGHT REGAL BELOIT AMERICA, INC. ALL RIGHTS RESERVED. PROPRIETARY AND CONFIDENTIAL INFORMATION - THIS DOCUMENT IS THE PROPERTY OF REGAL BELOIT AMERICA, INC. ("OWNER") AND CONTAINS OWNER'S PROPRIETARY INFORMATION. ANY PERSON, CORPORATION OR OTHER FIRM RECEIVING IT IS DEEMED, BY RECEIVING IT, TO AGREE THAT IT, AND/OR ANY PART OF IT, SHALL NOT BE DISCLOSED TO ANY PERSON, CORPORATION OR OTHER ENTITY, DUPLICATED, AND/OR USED, EXCEPT AS EXPRESSLY APPROVED IN WRITING IN ADVANCE BY OWNER. THIS DOCUMENT SHALL BE RETURNED TO OWNER UPON REQUEST. IT MAY BE SUBJECT TO CERTAIN RESTRICTIONS UNDER APPLICABLE EXPORT CONTROL LAWS AND REGULATIONS.</small>		

3



2

DRAWN BY MR
DATE 4/5/2015
APPROVED BY KRK
DATE 4/5/2015
REFERENCE
THIRD ANGLE PROJECTION

REGAL-BELOIT CORPORATION	
DESCRIPTION OUTLINE 284/286T FR-TEFC-CAST IRON	
MATERIAL	PROCESS/FINISH
SIZE B	DRAWING NUMBER SS620704
SHEET 1 OF 1	

1

**THREE PHASE - SINGLE VOLTAGE
MOTOR - CONDUIT BOX @ 'A'**

**TO REVERSE ROTATION:
INTERCHANGE ANY TWO
LINE LEAD CONNECTIONS.**

TERMINAL BLOCK WHEN SPECIFIED



VIEW OF TERMINAL END

**IF MOTOR HAS
6 LEADS**

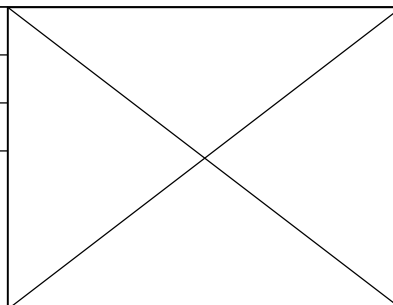


A-9806 DECAL

**OPTIONAL CORD
CONNECTION**

- L1 _____ WHITE _____
- L2 _____ RED _____
- L3 _____ BLACK _____

DRAWING REVISION AB	REVISION BY JJB	DATE 06-27-2017
ECO ECO-0125361	APPROVED BY TB	DATE 06-27-2017
ECO DESCRIPTION UPDATED TO CURRENT STANDARDS		
<small>COPYRIGHT REGAL BELOIT AMERICA, INC. ALL RIGHTS RESERVED. PROPRIETARY AND CONFIDENTIAL INFORMATION - THIS DOCUMENT IS THE PROPERTY OF REGAL BELOIT AMERICA, INC. ("OWNER") AND CONTAINS OWNER'S PROPRIETARY INFORMATION. ANY PERSON, CORPORATION OR OTHER FIRM RECEIVING IT IS DEEMED, BY RECEIVING IT, TO AGREE THAT IT, AND/OR ANY PART OF IT, SHALL NOT BE DISCLOSED TO ANY PERSON, CORPORATION OR OTHER ENTITY, DUPLICATED, AND/OR USED, EXCEPT AS EXPRESSLY APPROVED IN WRITING IN ADVANCE BY OWNER. THIS DOCUMENT SHALL BE RETURNED TO OWNER UPON REQUEST. IT MAY BE SUBJECT TO CERTAIN RESTRICTIONS UNDER APPLICABLE EXPORT CONTROL LAWS AND REGULATIONS.</small>		



DRAWN BY DA
DATE 03-26-1993
APPROVED BY TB
DATE 03-26-1993
REFERENCE
THIRD ANGLE PROJECTION

Regal Beloit America, Inc.		
		DESCRIPTION CONNECTION DIAGRAM EXTERNAL - SINGLE VOLTAGE - 3Ø MOTOR
MATERIAL	PROCESS/FINISH	
SIZE A	DRAWING NUMBER EE7300	SHEET 1 OF 1



**P.O. BOX 8003
WAUSAU, WI 54401-8003
PH. 715-675-3311**

CERTIFICATION DATA SHEET

CUSTOMER: CUSTOMER PO #:
ORDER #: MODEL #: 284TTFCDD6080 AA
CONN. DIAGRAM: EE7300 CUSTOMER PART #:
OUTLINE: SS620704 MOUNTING: F1/F2 CAPABLE
WINDING #: HE31806006 3

TYPICAL MOTOR PERFORMANCE DATA

HP	KW	SYNC. RPM	F.L. RPM	FRAME	ENCLOSURE	KVA CODE	DESIGN	
15	11.2	1200	1182	284T	TEFC	G	B	
PH	HZ	VOLTS	AMPS	START TYPE	DUTY	INSL	S.F.	AMB°C
3	60	575	16	LINE OR INVERTER	CONTINUOUS	F7	1.15	40

FULL LOAD EFF:	91.7	3/4 LOAD EFF:	91.7	1/2 LOAD EFF:	91	GTD. EFF		ELEC. TYPE
FULL LOAD PF:	77.5	3/4 LOAD PF:	70.5	1/2 LOAD PF:	58	91		SQ CAGE INV RATED
F.L. TORQUE LB-FT	LOCKED ROTOR AMPS	L.R. TORQUE LB-FT	172 %	B.D. TORQUE LB-FT	235 %	F.L. RISE°C		
66.7	92.8	115		157		55		

SOUND PRESSURE @ 3 FT. DBA	SOUND POWER DBA	ROTOR WK^2 LB-FT^2	MAX. WK^2 LB-FT^2	SAFE STALL TIME SEC.	STARTS / HOUR	APPROX. MOTOR WGT LBS.
56	66	-	-	20	2	-

***** SUPPLEMENTAL INFORMATION *****

DE BRACKET TYPE	ODE BRACKET TYPE	MOUNT TYPE	ORIENTATION	SEVERE DUTY	HAZARDOUS LOCATION	DRIP COVER	SCREENS	PAINT
STANDARD	STANDARD	RIGID	HORIZONTAL	FALSE	DIVISION 2 T2B	FALSE	NONE	BLUE (ENAMEL)
BEARINGS		GREASE	SHAFT TYPE	SPECIAL DE	SPECIAL ODE	SHAFT MATERIAL	FRAME MATERIAL	
DE BALL	ODE BALL	POLYREX EM	T	NONE	NONE	1045 HOT ROLLED (C-204)	CAST IRON	
6311	6211							

THERMO-PROTECTORS				THERMISTORS			CONTROL		SPACE HEATERS	
THERMOSTATS	PROTECTORS	WDG RTDS	BRG RTDS	NONE	FALSE	NONE	NONE	NONE	NONE	VOLTS
NONE	NOT	NONE	NONE							

INVERTER	TORQUE: CONSTANT 20:1/VARIABLE 20:1
INV. HP SPEED RANGE:	NONE
ENCODER:	NONE
T	NONE
E	NONE
S	NONE
BRAKE:	NONE
P/N	NONE
FT-LB	NONE
V	NONE
HZ	NONE

PREPARED BY: Fareeda Dudekula
DATE: 05/04/2018 05:27:27 AM
FORM 3531 REV.3 02/07/99
 ** Subject to change without notice.

MARATHON ELECTRIC CORPORATION

TYPICAL PERFORMANCE CURVE for AC MOTOR

Customer

Curve at

575

Volts

HP 15.00

PHASE 3

Model No 284TTFC6080

60

HZ

VOLTS 575

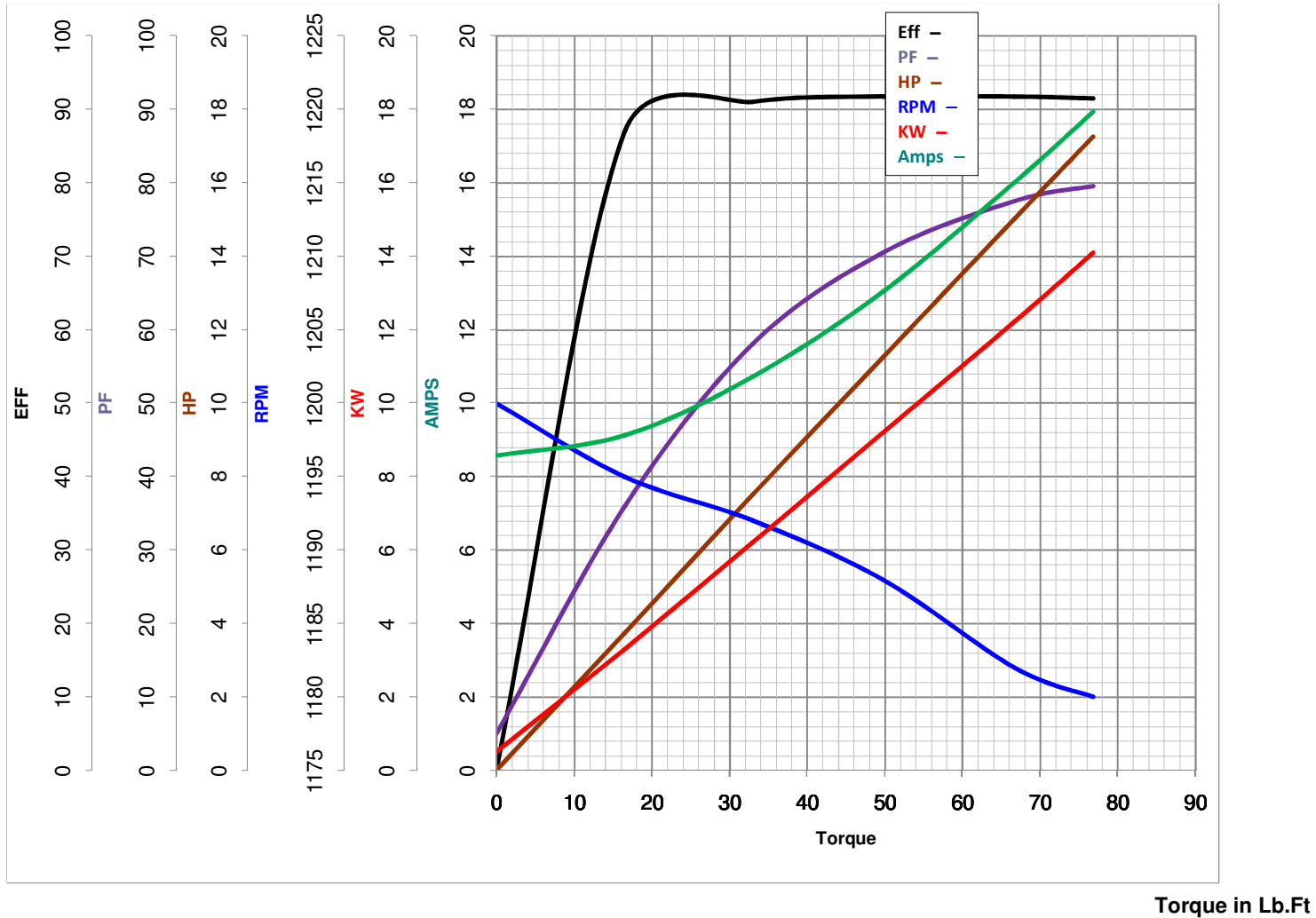
15

HP

Catalog No GT1123A

HZ 60

RPM 1182



FL TORQUE 66.7 Lb.Ft
 BD TORQUE 157.0 Lb.Ft
 LR TORQUE 115 Lb.Ft

FL AMPS 16
 PU TORQUE 97.0 Lb.Ft
 LR AMPS 92.8

WINDING HE31806006-3 Prepared By FAREEDA

Date 5/4/2018