

PRODUCT INFORMATION PACKET

marathon[®]
Motors

Model No: 286TPFSA10090
Catalog No: SY013
286FR 30HP IHP PM MOTOR
SyMAX - Permanent Magnet AC Motors



Regal and Marathon are trademarks of Regal Beloit Corporation or one of its affiliated companies.
©2018 Regal Beloit Corporation, All Rights Reserved. MC017097E

REGAL[®]

Product Information Packet: Model No: 286TPFSA10090, Catalog No:SY013 286FR 30HP IHP PM MOTOR

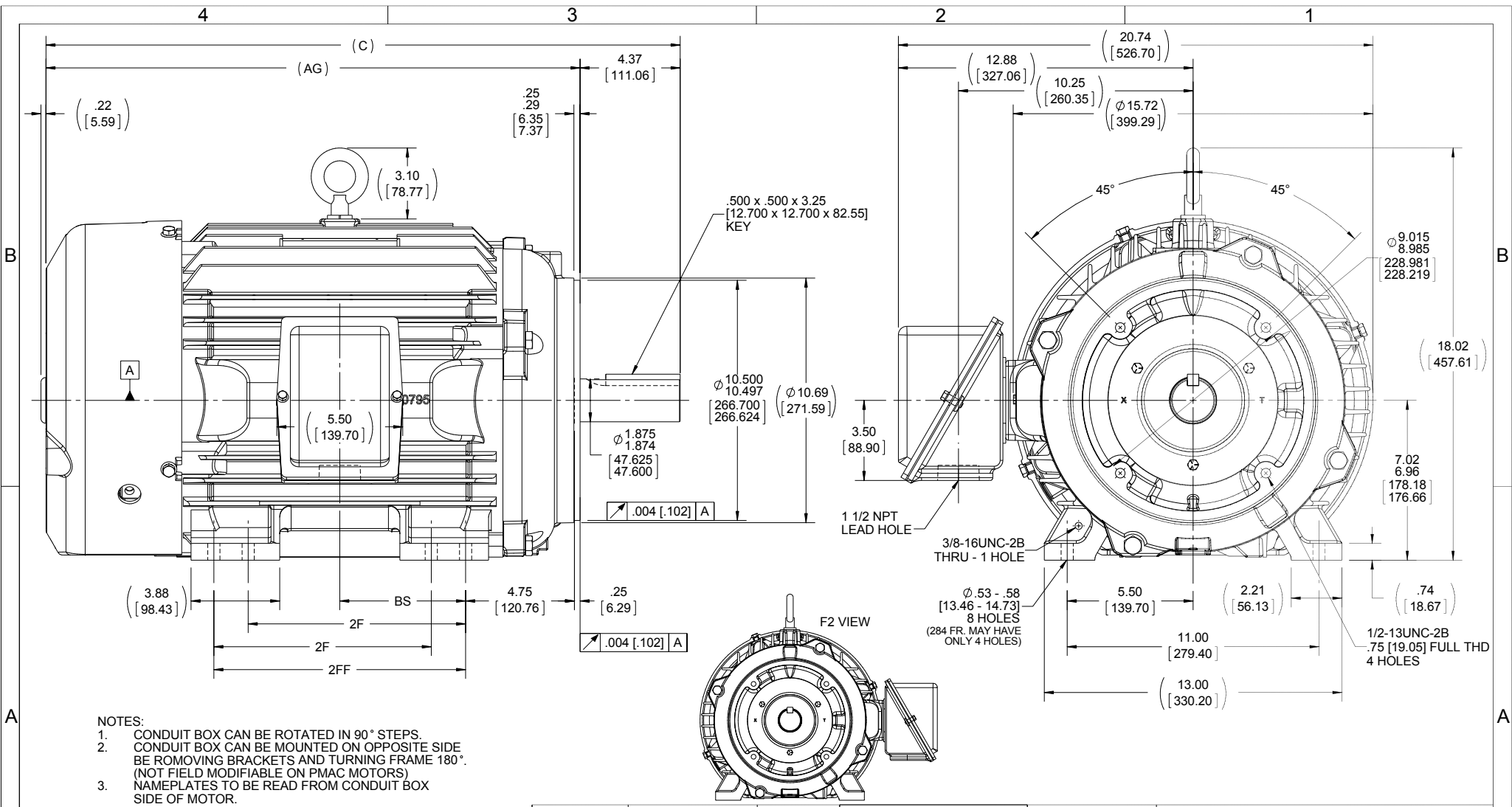
Nameplate Specifications

Output HP	30 Hp	Output KW	22.4 kW
Frequency	120 Hz	Voltage	460 V
Current	35.5 A	Speed	1800 rpm
Service Factor	1	Phase	3
Efficiency	95.4 %	Duty	Continuous
Insulation Class	H	Design Code	No Design Code
KVA Code	NO KVA CODE	Frame	286TC
Enclosure	Totally Enclosed Fan Cooled	Overload Protector	No
Ambient Temperature	40 °C	Drive End Bearing Size	6311
Opp Drive End Bearing Size	6210	UL	Recognized
CSA	Y	CE	Y
IP Code	54		

Technical Specifications

Electrical Type	AC Permanent Magnet	Starting Method	Inverter Only
Poles	8	Rotation	Reversible
Mounting	Rigid Base	Motor Orientation	Horizontal
Drive End Bearing	Ball	Opp Drive End Bearing	Ball
Frame Material	Cast Iron	Shaft Type	T
Overall Length	27.71 in	Frame Length	14.25 in
Shaft Diameter	1.7 in	Shaft Extension	4.37 in
Assembly/Box Mounting	F1/F2 Capable		
Outline Drawing	B-SS311211-1425	Connection Diagram	A-EE7300T

This is an uncontrolled document once printed or downloaded and is subject to change without notice. Date Created: 10/08/2018



- NOTES:
1. CONDUIT BOX CAN BE ROTATED IN 90° STEPS.
 2. CONDUIT BOX CAN BE MOUNTED ON OPPOSITE SIDE BE REMOVING BRACKETS AND TURNING FRAME 180° (NOT FIELD MODIFIABLE ON PMAC MOTORS)
 3. NAMEPLATES TO BE READ FROM CONDUIT BOX SIDE OF MOTOR.

DASH	FRAME	B	C	AG	2F	2FF	BS
1275	284TC	12.50 [317.50]	26.21 [665.73]	21.83 [554.48]	---	9.50 [241.30]	4.75 [120.65]
1425	284/286TC	13.00 [330.20]	27.71 [703.83]	23.33 [592.58]	9.50 [241.30]	11.00 [279.40]	5.50 [139.70]

DRAWING REVISION E	REVISION BY JHA	DATE 10-22-2015
ECO ECO-0087127	APPROVED BY TDB	DATE 10-23-2015
ECO DESCRIPTION UPDATED TO CURRENT STANDARDS		
<small>COPYRIGHT REGAL BELOIT AMERICA, INC. ALL RIGHTS RESERVED. PROPRIETARY AND CONFIDENTIAL INFORMATION - THIS DOCUMENT IS THE PROPERTY OF REGAL BELOIT AMERICA, INC. (OWNER) AND CONTAINS OWNER'S PROPRIETARY INFORMATION. ANY PERSON, CORPORATION OR OTHER FIRM RECEIVING IT IS DEEMED, BY RECEIVING IT, TO AGREE THAT IT, AND/OR ANY PART OF IT, SHALL NOT BE DISCLOSED TO ANY PERSON, CORPORATION OR OTHER ENTITY, DUPLICATED, AND/OR USED, EXCEPT AS EXPRESSLY APPROVED IN WRITING IN ADVANCE BY OWNER. THIS DOCUMENT SHALL BE RETURNED TO OWNER UPON REQUEST. IT MAY BE SUBJECT TO CERTAIN RESTRICTIONS UNDER APPLICABLE EXPORT CONTROL LAWS AND REGULATIONS.</small>		

TOLERANCES UNLESS OTHERWISE SPECIFIED:		
DEC.	INCH	mm
.X	+0.1	[+2.5]
.XX	+0.03	[+0.76]
.XXX	+0.005	[+0.127]
.XXXX	+0.0005	[+0.0127]
REMOVE BURRS & BREAK SHARP EDGES: .003/.015 [0.076/.381] X 45° CORNER FILLETS: R.02 [51]		
MACHINED SURFACES: 200 INCH 5.1 mm SHOWN IN [BRACKETS]		

DRAWN BY DAH	DATE 08-06-2001
APPROVED BY DD	DATE 08-07-2001
REFERENCE	THIRD ANGLE PROJECTION

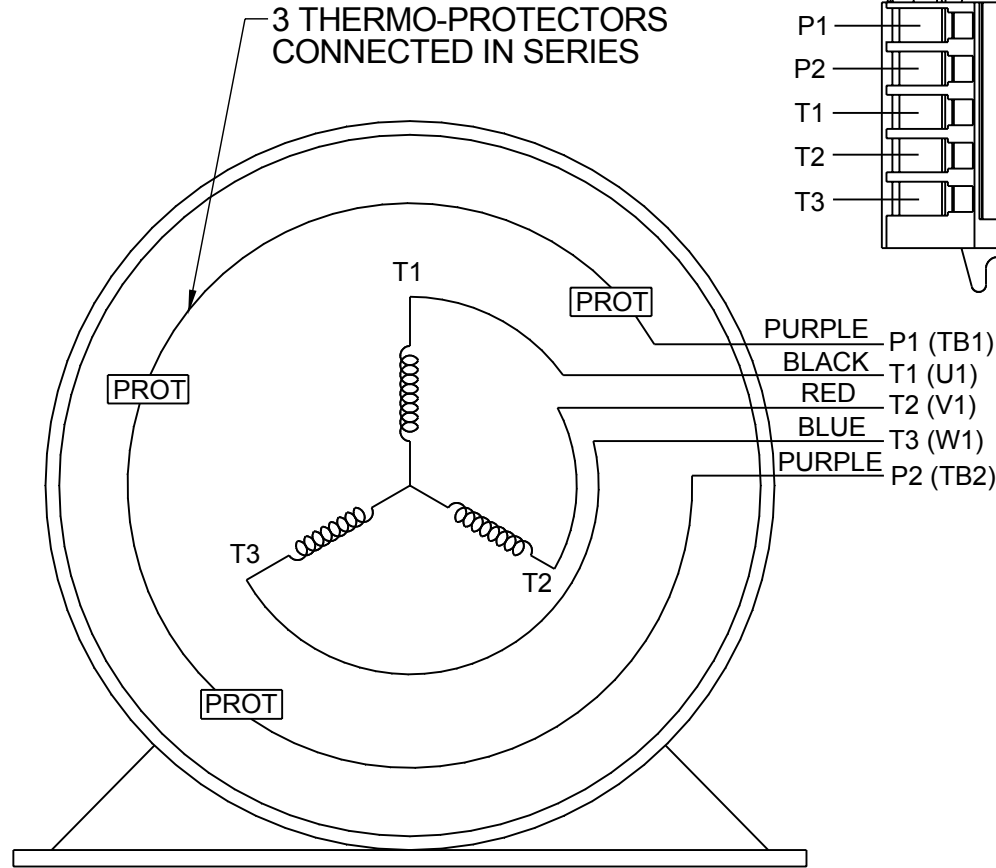
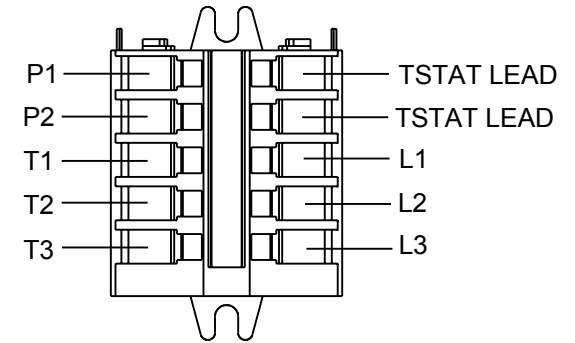
Regal Beloit America, Inc.	
DESCRIPTION OUTLINE 280TC FR - TEFC - BB - STD - 12.50 LAM	
MATERIAL	PROCESS/FINISH
SIZE B	DRAWING NUMBER SS311211
	SHEET 1 OF 1

**THREE PHASE - SINGLE VOLTAGE
MOTOR - CONDUIT BOX @ 'A'**

**TO REVERSE ROTATION:
INTERCHANGE ANY TWO LINE
LEAD CONNECTIONS**

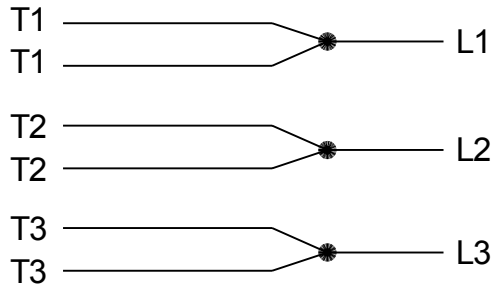
**NOTE FOR FACTORY USE ONLY:
TO SURGE TEST:
FOR 3 LEAD COMMON CONNECT:
CONNECT P1 TO T1 THEN P2 TO L1
FOR 6 LEAD COMMON CONNECT:
CONNECT P1 TO BOTH T1
THEN P2 TO L1**

TERMINAL BLOCK WHEN SPECIFIED



VIEW OF TERMINAL END

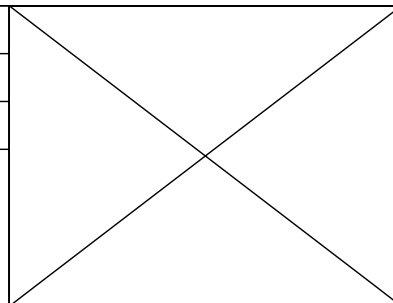
**IF MOTOR HAS MULTIPLE
T'S PER LEAD CONNECT
TOGETHER LIKE T'S**



A-9806 DECAL

- T2BM
- T6AW
- T6AL
- T6Z
- T4EG
- T4BF
- T8A
- T6H
- T6A
- T4AX
- T4A
- T2A
- T2F

DRAWING REVISION AB	REVISION BY AJW	DATE 07-17-2015
ECO ECO-0081632	APPROVED BY T.VUE	DATE 07-17-2015
ECO DESCRIPTION REV'D IEC MARKINGS PER IEC-60034-8		
<small>COPYRIGHT REGAL BELOIT AMERICA, INC. ALL RIGHTS RESERVED. PROPRIETARY AND CONFIDENTIAL INFORMATION - THIS DOCUMENT IS THE PROPERTY OF REGAL BELOIT AMERICA, INC. ("OWNER") AND CONTAINS OWNER'S PROPRIETARY INFORMATION. ANY PERSON, CORPORATION OR OTHER FIRM RECEIVING IT IS DEEMED, BY RECEIVING IT, TO AGREE THAT IT, AND/OR ANY PART OF IT, SHALL NOT BE DISCLOSED TO ANY PERSON, CORPORATION OR OTHER ENTITY, DUPLICATED, AND/OR USED, EXCEPT AS EXPRESSLY APPROVED IN WRITING IN ADVANCE BY OWNER. THIS DOCUMENT SHALL BE RETURNED TO OWNER UPON REQUEST. IT MAY BE SUBJECT TO CERTAIN RESTRICTIONS UNDER APPLICABLE EXPORT CONTROL LAWS AND REGULATIONS.</small>		



DRAWN BY LZ	Regal Beloit America, Inc.	
DATE 01-04-1994		
APPROVED BY GK	DESCRIPTION CONN DIAGRAM-EXTERNAL 3Ø-SINGLE VOLT-MOTOR WITH PROTECTOR	
DATE 01-20-1994	MATERIAL	
REFERENCE	PROCESS/FINISH	
THIRD ANGLE PROJECTION	SIZE A	DRAWING NUMBER EE7300T
		SHEET 1 OF 1

CERTIFICATION DATA SHEET

Model#: 286TPFSA10090 A WINDING#: PM28608004 NONE 1
 CONN. DIAGRAM: A-EE7300T ASSEMBLY: F1/F2 CAPABLE
 OUTLINE: B-SS311211-1425

TYPICAL MOTOR PERFORMANCE DATA

HP	KW	SYNC. RPM	F.L. RPM	FRAME	ENCLOSURE	KVA CODE	DESIGN
30	22.4	1800	1800	286TC	TEFC	NO KVA CODE	PM

PH	Hz	VOLTS	FL AMPS	START TYPE	DUTY	INSL	S.F	AMB°C	ELEVATION
3	120	460	35.5	INVERTER ONLY	CONTINUOUS	H1	1.0	40	3300

FULL LOAD EFF: 95.4	3/4 LOAD EFF: 95.5	1/2 LOAD EFF: 94.8	GTD. EFF	ELEC. TYPE	NO LOAD AMPS
FULL LOAD PF: 80	3/4 LOAD PF: 80.5	1/2 LOAD PF: 80.5	95.4	AC PERMANENT MAGNET	2

F.L. TORQUE	LOCKED ROTOR AMPS	L.R. TORQUE	B.D. TORQUE	F.L. RISE°C
87.5 LB-FT	-	- LB-FT -	- LB-FT -	50

SOUND PRESSURE @ 3 FT.	SOUND POWER	ROTOR WK^2	MAX. WK^2	SAFE STALL TIME	STARTS /HOUR	APPROX. MOTOR WGT
65 dBA	75 dBA	3.6 LB-FT^2	0 LB-FT^2	0 SEC.	0	500 LBS.

EQUIVALENT WYE CKT.PARAMETERS (OHMS PER PHASE)

R1	R2	X1	X2	XM
0	0.09	3.93	6.6	225

RM	ZREF	XR	TD	TD0
0	1	0	0	0

***** SUPPLEMENTAL INFORMATION *****

DE BRACKET TYPE	ODE BRACKET TYPE	MOUNT TYPE	ORIENTATION	SEVERE DUTY	HAZARDOUS LOCATION	DRIP COVER	SCREENS	PAINT
C-FACE	STANDARD	RIGID	HORIZONTAL	PREMIUM SEVERE DUTY	NONE	FALSE	NONE	BLACK (EPOXY)

BEARINGS		GREASE	SHAFT TYPE	SPECIAL DE	SPECIAL ODE	SHAFT MATERIAL	FRAME MATERIAL
DE	OPE	POLYREX EM	T	NONE	NONE	1045 HOT ROLLED (C-204)	CAST IRON
BALL	BALL						
6311	6210						

THERMO-PROTECTORS				THERMISTORS	CONTROL	SPACE /n HEATERS
THERMOSTATS	PROTECTORS	WDG RTDs	BRG RTDs			
TSTATS 140(N/C)	NOT	NONE	NONE	NONE	FALSE	NONE VOLTS

If Inverter equals NONE, contact factory for further information

INVERTER TORQUE: CONSTANT 20:1
INV. HP SPEED RANGE: 1.2 X BASE SPEED
ENCODER: NONE
NONE NONE
NONE NONE PPR
BRAKE: NONE NONE

*
N
O
T
E
S
*

NONE	P/N	NONE	
NONE	NONE		
NONE FT-LB	NONE V	NONE Hz	

DATE: 06/27/2017 01:47:19 AM
FORM 3531 REV.3 02/07/99
** Subject to change without notice.