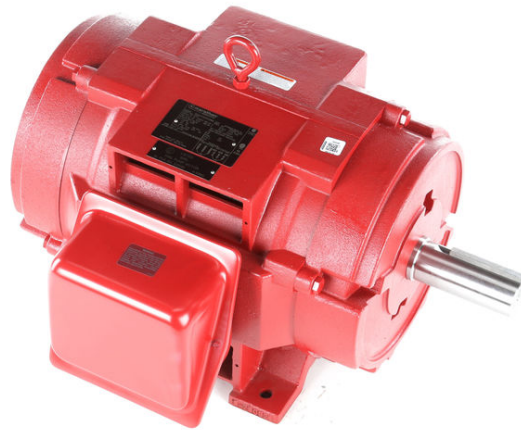


# PRODUCT INFORMATION PACKET

**marathon**<sup>®</sup>  
Motors

Model No: 286TTDBD14042  
Catalog No: U595  
30,1800,DP,286T,3/60/190/380-400  
Fire Pump



Regal and Marathon are trademarks of Regal Beloit Corporation or one of its affiliated companies.  
©2018 Regal Beloit Corporation, All Rights Reserved. MC017097E

**REGAL**<sup>®</sup>



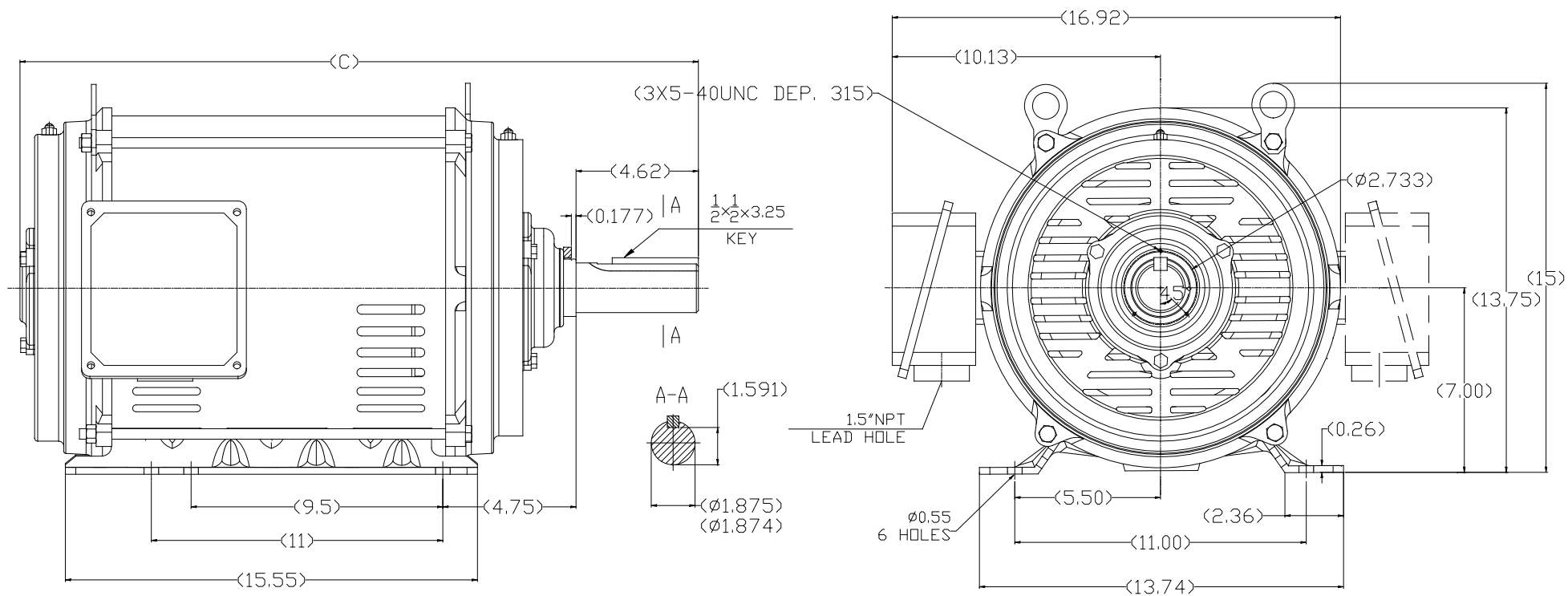
### Nameplate Specifications

Output HP	<b>30 Hp</b>	Output KW	<b>22.4 kW</b>
Frequency	<b>60 Hz</b>	Voltage	<b>190/380-400 V</b>
Current	<b>87.0/43.0-41.0 A</b>	Speed	<b>1770 rpm</b>
Service Factor	<b>1.15</b>	Phase	<b>3</b>
Efficiency	<b>92.4 %</b>	Duty	<b>Continuous</b>
Insulation Class	<b>F</b>	Design Code	<b>B</b>
KVA Code	<b>G</b>	Frame	<b>286T</b>
Enclosure	<b>Drip Proof</b>	Overload Protector	<b>No</b>
Ambient Temperature	<b>50 °C</b>	Drive End Bearing Size	<b>6311</b>
Opp Drive End Bearing Size	<b>6210</b>	UL	<b>No</b>
CSA	<b>Y</b>	CE	<b>Y</b>
IP Code	<b>23</b>		

### Technical Specifications

Electrical Type	<b>Squirrel Cage Induction Run</b>	Starting Method	<b>Part Wdg Start Low Volt Only &amp; Wye Start Delta Run</b>
Poles	<b>4</b>	Rotation	<b>Reversible</b>
Mounting	<b>Rigid base</b>	Motor Orientation	<b>HORIZONTAL</b>
Drive End Bearing	<b>BALL</b>	Opp Drive End Bearing	<b>BALL</b>
Frame Material	<b>Rolled Steel</b>	Shaft Type	<b>T</b>
Overall Length	<b>27.09 in</b>	Frame Length	<b>13.97 in</b>
Shaft Diameter	<b>1.875 in</b>	Shaft Extension	<b>4.62 in</b>
Assembly/Box Mounting	<b>F1/F2 CAPABLE</b>		
Outline Drawing	<b>SS620687-286T</b>	Connection Diagram	<b>EE7308AA</b>

SS620687

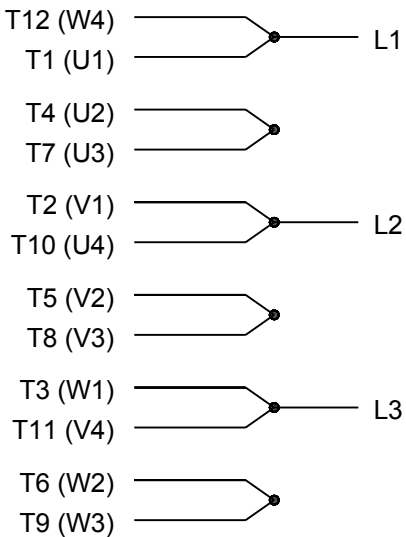


284T	25.71	YES
286T	27.09	YES
FRAME	C	F1/F2

TOLERANCES UNLESS SPECIFIED		REGAL REGAL-BELOIT CORPORATION		DRAWN Xiaowei Zhu	
DEC.	INCHES	TITLE		CHK	
.X	±.1	284/286T FR.-DDP-ROLLED STEEL		APPD	
.XX	±.03	FINISH		SCALE 1:1	
.XXX	±.005	CAD FILE		REF	
.XXXX	±.0005	DIST		FMF	
NO.	REVISION	BY & DATE	CHK	ANG	±1/2"
THIS DRAWING IN DESIGN AND DETAIL IS OUR PROPERTY AND MUST NOT BE USED EXCEPT IN CONNECTION WITH OUR WORK ALL RIGHTS OF DESIGN AND INVENTION ARE RESERVED THIS IS AN ELECTRONICALLY GENERATED DOCUMENT - DO NOT SCALE THIS PRINT			RFP	wuxl	PREV
			SIZE	DRAWING NO.	PAGE OF REV.
			B	SS620687	



### LOW VOLTAGE



### HIGH VOLTAGE



### VIEW OF TERMINAL END

DRAWING REVISION <b>K</b>	REVISION BY <b>AJW</b>	DATE <b>07-17-2015</b>
ECO <b>ECO-0081632</b>	APPROVED BY <b>T. VUE</b>	DATE <b>07-17-2015</b>
ECO DESCRIPTION <b>REV'D IEC MARKINGS PER IEC 60034-8</b>		
COPYRIGHT REGAL BELOIT AMERICA, INC. ALL RIGHTS RESERVED. PROPRIETARY AND CONFIDENTIAL INFORMATION - THIS DOCUMENT IS THE PROPERTY OF REGAL BELOIT AMERICA, INC. ("OWNER") AND CONTAINS OWNER'S PROPRIETARY INFORMATION. ANY PERSON, CORPORATION OR OTHER FIRM RECEIVING IT IS DEEMED, BY RECEIVING IT, TO AGREE THAT IT, AND/OR ANY PART OF IT, SHALL NOT BE DISCLOSED TO ANY PERSON, CORPORATION OR OTHER ENTITY, DUPLICATED, AND/OR USED, EXCEPT AS EXPRESSLY APPROVED IN WRITING IN ADVANCE BY OWNER. THIS DOCUMENT SHALL BE RETURNED TO OWNER UPON REQUEST. IT MAY BE SUBJECT TO CERTAIN RESTRICTIONS UNDER APPLICABLE EXPORT CONTROL LAWS AND REGULATIONS.		



DRAWN BY <b>LZ</b>	<b>Regal Beloit America, Inc.</b>	
DATE <b>01-12-1994</b>		
APPROVED BY <b>GK</b>	DESCRIPTION <b>CONN DIAGRAM-EXTERNAL</b> <b>3Ø-2/1 DELTA-12 LEADS</b>	
DATE <b>01-14-1994</b>		
REFERENCE	MATERIAL	PROCESS/FINISH
THIRD ANGLE PROJECTION	SIZE <b>A</b>	DRAWING NUMBER <b>EE7308AA</b>
		SHEET <b>1 OF 1</b>



P.O. BOX 8003  
WAUSAU, WI 54401-8003  
PH. 715-675-3311

DATA VOLTS: 460

CERTIFICATION DATA SHEET

CUSTOMER P.O. #:   
 ORDER #: EE7308AA   
 REFERENCE MODEL #: 286TTDBD14042   
 CONN. DIAGRAM: SS620687   
 CAT #: U595   
 OUTLINE: IE3L1804111 NONE 3   
 CUSTOMER PART #:   
 WINDING: IE3L1804111 NONE 3   
 MOUNTING: F1/F2 CAPABLE   
 SPEED:   
 TYPICAL MOTOR PERFORMANCE DATA

HP	KW	SYNC RPM	FL RPM	FRAME	ENCLOSURE	TYPE	KVA CODE	DESIGN
30	22.4	1800	1770	286T	DP	TDC	F	B

PH	HZ	VOLTS	AMPS	START TYPE	DUTY	INSL	S.F.	AMB	ELEV.
3	60	190/380-400	87/49-41	WS(LV ONLV) & YDRU	CONT	F	1.15	50	3300
	F.L. EFF	92.4	3/4 LD EFF	92.4	1/2 LD EFF	91.0	GTD EFF	ELECT. TYPE	
	F.L. PF	84.0	3/4 LD PF	81.0	1/2 LD PF	73.0	90.2	SQ CAGE IND RUN	

F.L. TORQUE	LR AMPS @ 460 V	L.R. TORQUE	B.D. TORQUE	F.L. RISE (°C)
88.8 LB-FT	230	150 LB-FT	200 LB-FT	225%
@ 3 FT.	POWER	ROTOR WK <sup>2</sup>	MAX. LOAD WK <sup>2</sup>	SAFE STALL TIME
999 DBA	1008 DBA	0.00 LB-FT <sup>2</sup>	0 LB-FT <sup>2</sup>	20 SEC.
				START/SHOUR
				MOTOR WGT
				0 LB.

\*\*\* SUPPLEMENTAL INFORMATION \*\*\*

DE BRACKET TYPE	ODE BRACKET TYPE	MOUNT TYPE	MOTOR ORIENTATION	SEVERE DUTY	HAZARDOUS LOCATION	DRIP COVER	SCREENS	PAINT
STANDARD	STANDARD	RIGID	HORIZONTAL	NO	NONE	NO	NONE	RED (ENAMEL)
BEARINGS	GREASE	SHAFT TYPE	SPECIAL DE	SPECIAL ODE	SHAFT	MATERIAL	FRAME MATERIAL	
DE BALL 6311	BALL POLYREX EM	T	NONE	NONE	1045 HOT ROLLED (C-204)		ROLLED STEEL	

THERMOSTATS	PROTECTORS	WDG RTD's	BRG RTD's	THERMISTORS	CONTROL	SPACE HEATERS
NONE	NOT	NONE	NONE	NONE	FALSE	NA
R1 (ohms/ph)	R2 (ohms/ph)	X1 (ohms/ph)	X2 (ohms/ph)	Xm (ohms/ph)	VIBRATION (in/sec)	FLOAT
0.2	0.093	0.544	0.737	15.701	0.150	ODE

* N	INVERTER TORQUE: NONE	
O	INV. HP SPEED RANGE: NONE	
T	ENCODER: NONE	
E	BRAKE: NONE	
S	FT-LB: NONE	
	VOLTAGE: NONE	
	UL: NONE	
	HZ:	

PREPARED BY: FAREEDA DUDEKULA  
 DATE: 8/29/2018  
 FORM: 3531 REV 4 2/27/06

Data Sheet

286TTDBD14042



Date: 8/29/2018  
 Customer:   
 Attention:   
 Submitted by: FAREEDA DUDEKULA

286TTDBD14042  
 Submitital  
 Data @ 400 V

Load	Motor Load Data						
	0%	25%	50%	75%	100%	115%	125%
Current (Amps)	15.0	17.3	24.2	32.2	41.4	47.2	51.8
Torque (ft-lb)	0.00	22.2	44.4	66.6	88.8	102	111
RPM	1800	1792	1785	1778	1770	1,765	1760
Efficiency (%)		90.2	91.0	92.4	92.4	91.7	94.0
P.F. (%)	4.5	51.0	73.0	81.0	84.0	85.0	83.0

Motor Speed Data

	LR	Pull-Up	BD	Rated	Idle	Information Block
Speed (RPM)	0	900	1675	1770	1800	HP 30.0
Current (Amps)	230	201	138	41.4	15.0	Frame 286182TTC6080
Torque (ft-lb)	150	130	200	88.8	0.00	Enclosure DP
						Construction TDC
						Voltage 190/380-400 V
						Frequency 60 Hz
						Design B
						LR Code letter F
						Service Factor 1.15
						Temp Rise @ FL 0 °C
						Duty CONT
						Ambient 40 °C
						Elevation 1,000 feet
						Rotor/Shaft wk <sup>2</sup> 0.00 Lb-Ft <sup>2</sup>
						Ret Wdg IE3L1804111 NONE
						Sound Pressure @ 1M 999 DBA
						VFD Rating NONE
						Outline Dwg SS620687
						Conn. Diag EE7308AA
						Additional Specifications:
						0
						0
						R1
						R2
						X1
						X2
						Xm

