

PRODUCT INFORMATION PACKET

marathon[®]
Motors

Model No: 286TTGN16533
Catalog No: U030A
30,1800,EPFC,286T,3/60/575
Explosion Proof



Regal and Marathon are trademarks of Regal Beloit Corporation or one of its affiliated companies.
©2018 Regal Beloit Corporation, All Rights Reserved. MC017097E

REGAL[®]



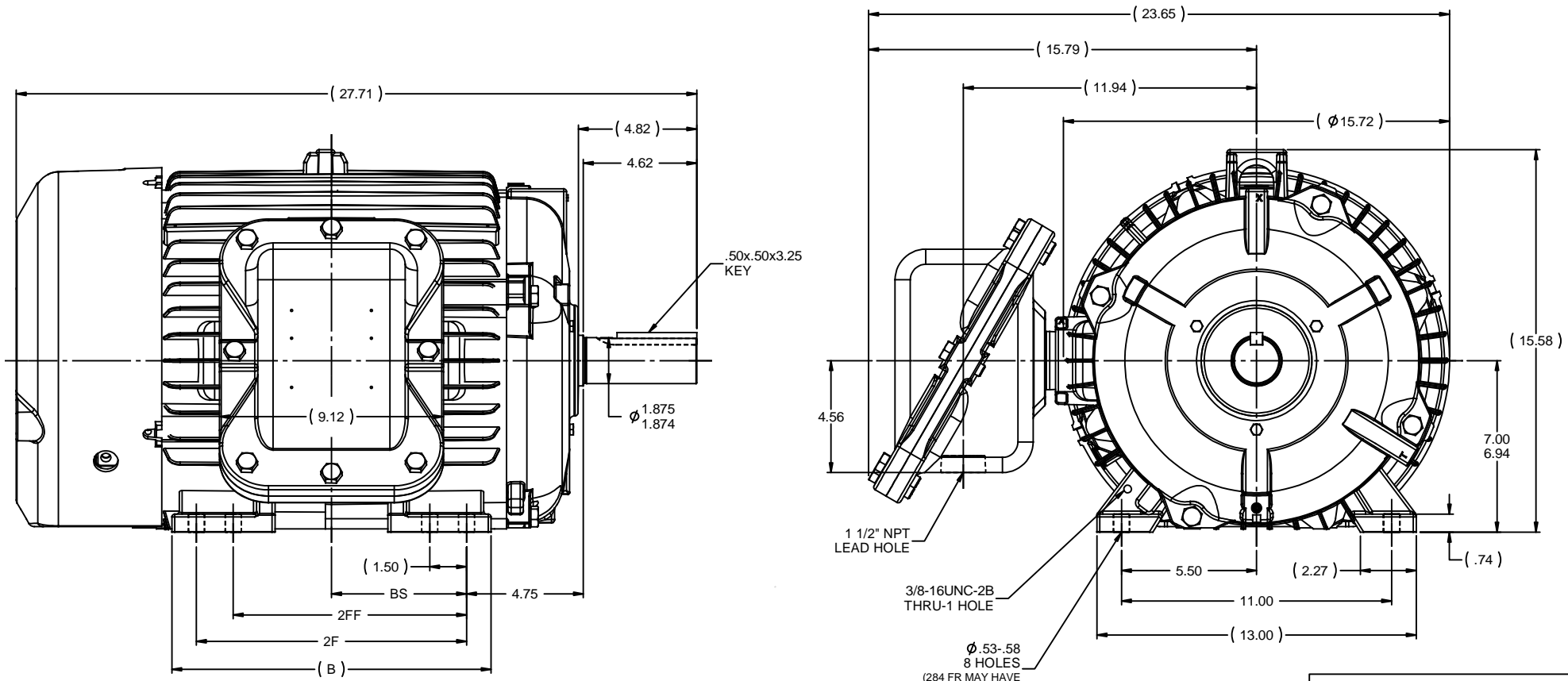
Nameplate Specifications

Output HP	30 Hp	Output KW	22.4 kW
Frequency	60 Hz	Voltage	575 V
Current	29.2 A	Speed	1773 rpm
Service Factor	1.15	Phase	3
Efficiency	94.1 %	Duty	Continuous
Insulation Class	F	Design Code	B
KVA Code	G	Frame	286T
Enclosure	Explosion Proof Fan cooled	Overload Protector	No
Ambient Temperature	40 °C	Drive End Bearing Size	6311
Opp Drive End Bearing Size	6210	UL	No
CSA	N	CE	N
IP Code	54		

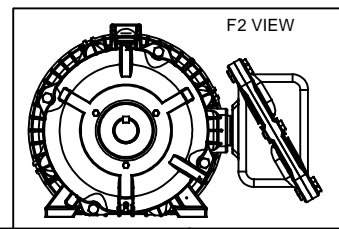
Technical Specifications

Electrical Type	Squirrel Cage Inverter Rated	Starting Method	Line Or Inverter
Poles	4	Rotation	Reversible
Mounting	Rigid base	Motor Orientation	Horizontal
Drive End Bearing	Ball	Opp Drive End Bearing	Ball
Frame Material	Cast Iron	Shaft Type	T
Overall Length	27.71 in	Frame Length	14.25 in
Shaft Diameter	1.875 in	Shaft Extension	4.82 in
Assembly/Box Mounting	F1 Only		
Outline Drawing	B-SS311106-1425	Connection Diagram	A-EE7300T

This is an uncontrolled document once printed or downloaded and is subject to change without notice. Date Created: 06/29/2018



- NOTES:
1. CONDUIT BOX CAN ONLY BE ROTATED CLOCKWISE UP TO 270° FROM ITS ORIGINAL POSITION.
 2. CONDUIT BOX CAN BE MOUNTED ON OPPOSITE SIDE BY REMOVING BRACKETS AND TURNING FRAME 180°. THIS MODIFICATION CAN BE PERFORMED ONLY BY THE ORIGINAL EQUIPMENT MANUFACTURER OR BY A FACILITY THAT IS COVERED UNDER UNDERWRITERS LABORATORIES INC. CATEGORY PTKQ, TITLED "MOTORS AND GENERATORS, REBUILT FOR USE IN HAZARDOUS LOCATIONS".
 3. NAMEPLATES TO BE READ FROM CONDUIT BOX SIDE OF MOTOR.



DASH	FRAME	B	C	BS	2F	2FF
1275	284T	12.50	26.21	4.75	9.50	---
1425	284/6T	13.00	27.71	5.50	11.00	9.50

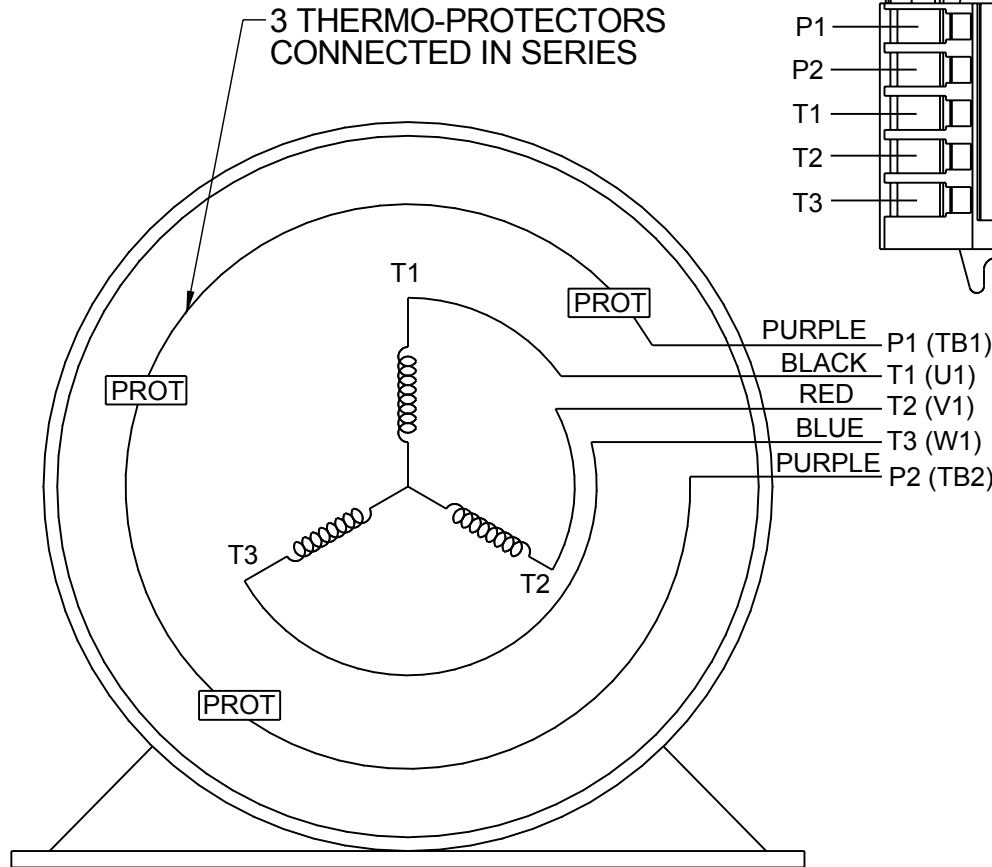
		TOLERANCES UNLESS SPECIFIED:				DRAWN	HLB 10/10/2002
		DEC	INCHES			CHK	ML 10/10/2002
		X	±.1	TITLE		APPR	DD 10/10/2002
		XX	±.03	OUTLINE - EXP.PR. - TGN		SCALE 1:4	
2		ADDED F2 VIEW	TJW 4/8/2011	CTO	XXX ±.005	REF	
1		NEW DRAWING MU43527	HLB 10/10/2002	DD	XXX ±.0005	MATL	
NO		REVISION	BY & DATE	CHK	ANG ±7'30"	PAGE OF	
		THIRD ANGLE PROJECTION		RFP	FINISH	SIZE	DRAWING NO
				NETWORK FILE NAME	SS311106	B	SS311106
							REV
							2

**THREE PHASE - SINGLE VOLTAGE
MOTOR - CONDUIT BOX @ 'A'**

**TO REVERSE ROTATION:
INTERCHANGE ANY TWO LINE
LEAD CONNECTIONS**

**NOTE FOR FACTORY USE ONLY:
TO SURGE TEST:
FOR 3 LEAD COMMON CONNECT:
CONNECT P1 TO T1 THEN P2 TO L1
FOR 6 LEAD COMMON CONNECT:
CONNECT P1 TO BOTH T1
THEN P2 TO L1**

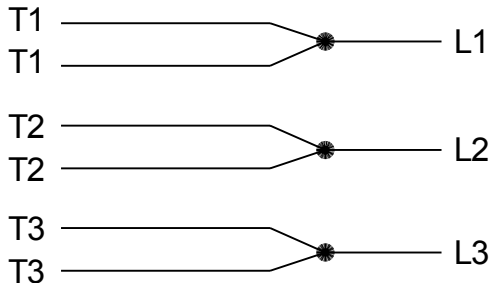
TERMINAL BLOCK WHEN SPECIFIED



PURPLE P1 (TB1)
BLACK T1 (U1)
RED T2 (V1)
BLUE T3 (W1)
PURPLE P2 (TB2)

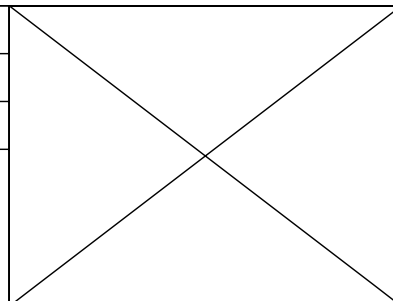
T2BM
T6AW
T6AL
T6Z
T4EG
T4BF
T8A
T6H
T6A
T4AX
T4A
T2A
T2F

**IF MOTOR HAS MULTIPLE
T'S PER LEAD CONNECT
TOGETHER LIKE T'S**



A-9806 DECAL

DRAWING REVISION AB	REVISION BY AJW	DATE 07-17-2015
ECO ECO-0081632	APPROVED BY T.VUE	DATE 07-17-2015
ECO DESCRIPTION REV'D IEC MARKINGS PER IEC-60034-8		
<small>COPYRIGHT REGAL BELOIT AMERICA, INC. ALL RIGHTS RESERVED. PROPRIETARY AND CONFIDENTIAL INFORMATION - THIS DOCUMENT IS THE PROPERTY OF REGAL BELOIT AMERICA, INC. ("OWNER") AND CONTAINS OWNER'S PROPRIETARY INFORMATION. ANY PERSON, CORPORATION OR OTHER FIRM RECEIVING IT IS DEEMED, BY RECEIVING IT, TO AGREE THAT IT, AND/OR ANY PART OF IT, SHALL NOT BE DISCLOSED TO ANY PERSON, CORPORATION OR OTHER ENTITY, DUPLICATED, AND/OR USED, EXCEPT AS EXPRESSLY APPROVED IN WRITING IN ADVANCE BY OWNER. THIS DOCUMENT SHALL BE RETURNED TO OWNER UPON REQUEST. IT MAY BE SUBJECT TO CERTAIN RESTRICTIONS UNDER APPLICABLE EXPORT CONTROL LAWS AND REGULATIONS.</small>		



DRAWN BY LZ	Regal Beloit America, Inc.	
DATE 01-04-1994		
APPROVED BY GK	DESCRIPTION CONN DIAGRAM-EXTERNAL 3Ø-SINGLE VOLT-MOTOR WITH PROTECTOR	
DATE 01-20-1994	MATERIAL	
REFERENCE	PROCESS/FINISH	
THIRD ANGLE PROJECTION	SIZE A	DRAWING NUMBER EE7300T
		SHEET 1 OF 1

