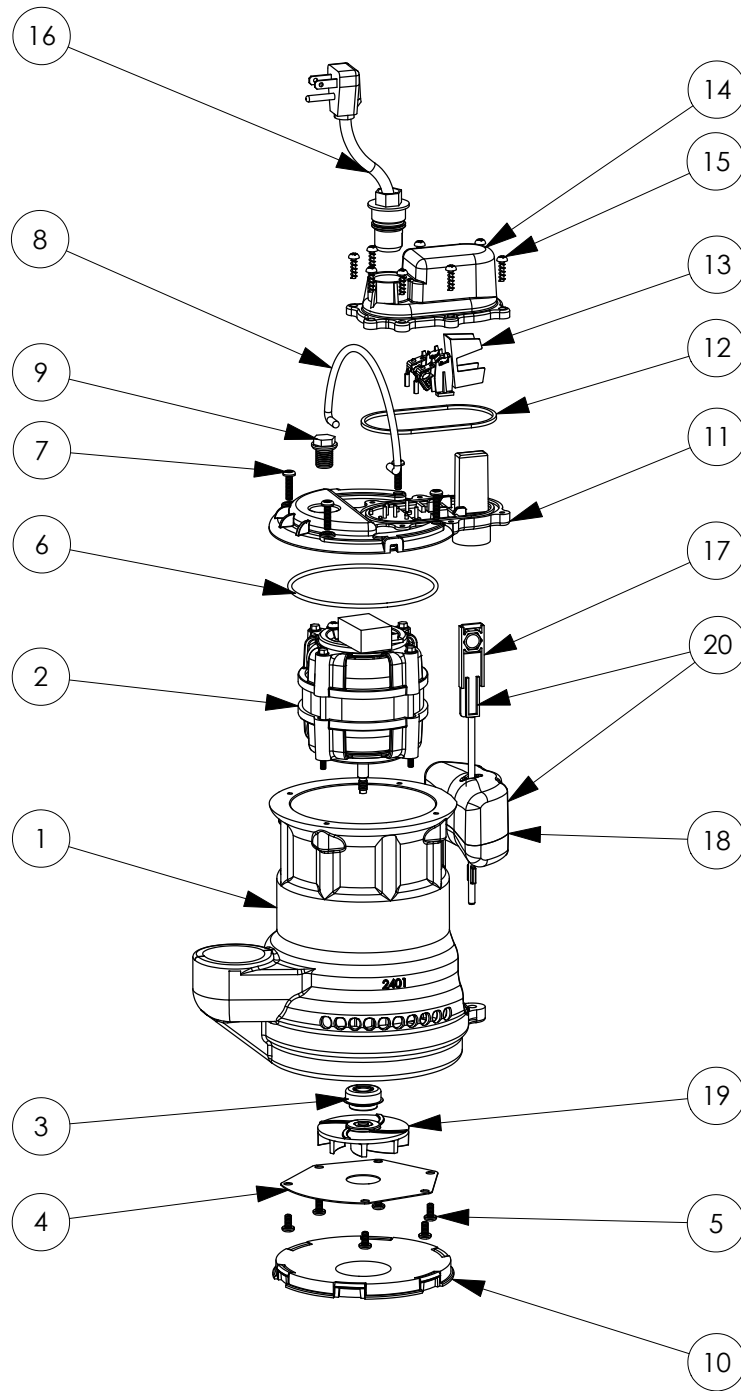


247-2 (B23)



247-2 (B23)

#	PART #	DESCRIPTION	QTY	Note
1	2411000	CAST IRON HOUSING	1	
2	2415000	MOTOR	1	
3	2309000	5/16 SHAFT SEAL	1	
4	24030A0	FLAT VOLUTE PLATE	1	
5	8092000	#10 - 24 x 3/8" SCREW	6	
6	2357000	O-RING	1	[1]
7	8072000	#10 - 24 x 3/4" SCREW	4	
8	K001082	HANDLE	1	
9	8089000	OIL PLUG, O-RING ASSEMBLY	1	
10	25020A0	SOLID BOTTOM PLUG	1	
11	206500G	VMF MOTOR COVER GREY	1	
12	2072000	SEALRING, SWITCH COVER	1	
13	K001012	VMF SWITCH	1	
14	K001069	VMF SWITCH COVER, BLACK	1	
15	8104200	#10 HILO X 5/8" STAINLESS STEEL SCREW	8	
16	K001008	POWER CORD, 115V, 25 FOOT CORD	1	
17	2075000	VMF FLOAT ROD	1	[1]
18	2362000	VMF FLOAT	1	[1]
19	2416000	IMPELLER	1	
20	K001048	VMF FLOAT AND ROD KIT	1	

PART NOTES:

[1] - Part requires factory authorized service. Contact Liberty Pumps at 1-800-543-2550