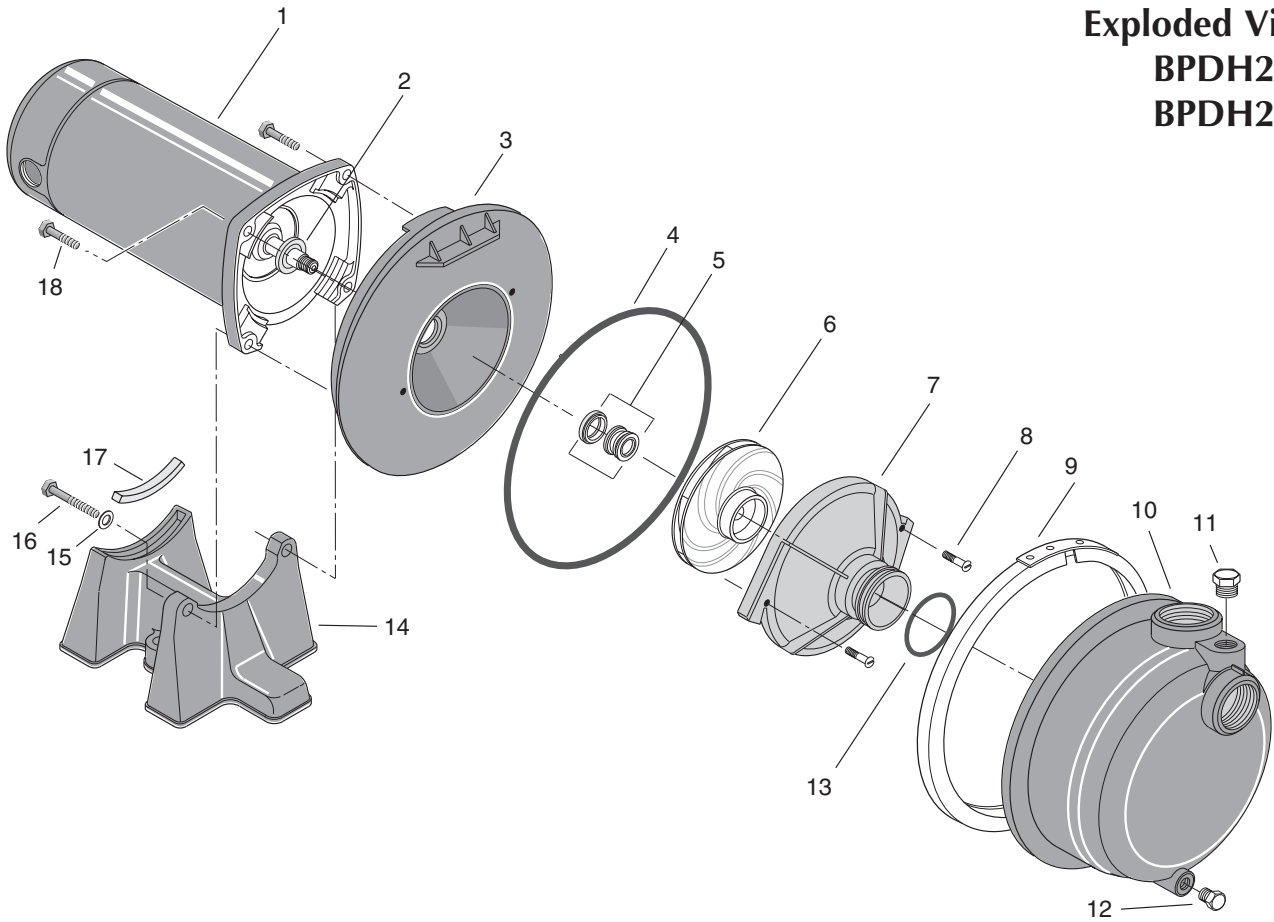


## Exploded View BPDH20-L BPDH25-L



2092 1095

### REPAIR PARTS LIST

Key No.	Part Description	No. Used	BPDH20-L 2 HP	BPDH25-L 2-1/2 HP
1	Motor	1	A100GLL	AE100G5LL
2	Water Slinger	1	C69-2	C69-2
3	Tank Body Back Half	1	C3-189P1	C3-189P1
4	O-Ring	1	U9-228A	U9-228A
5	Shaft Seal for 5/8" Shaft	1	U109-6A	U109-6A
6	Impeller	1	C105-214PFA	C105-214PGA
•	Impeller Screw	1	C30-51SS	C30-51SS
7	Diffuser	1	C1-274P	C1-274P
8	Screw - #8 - 32 RH	2	U30-542SS	U30-542SS
9	"V" Clamp	1	C19-37A	C19-37A
10	Tank Body Front Half (Complete) (Includes Key Nos. 12 and 13)	1	C176-62P	C176-62P
11	Priming Plug	1	WC78-39T	WC78-39T
12	Drain Plug - 1/4 NPT	1	WC78-40T	WC78-40T
13	O-Ring	1	U9-393	U9-393
14	Base	1	C4-42P	C4-41P
15	Washer - 5/16	2	U43-42SS	U43-42SS
16	Capscrew	2	U30-77SS	U30-778SS
17	Rubber Pad	1	C35-11	C35-11
18	Capscrew	2	U30-74SS	U30-90SS
•	Owner's Manual	1	BE190	BE190

• Not illustrated.