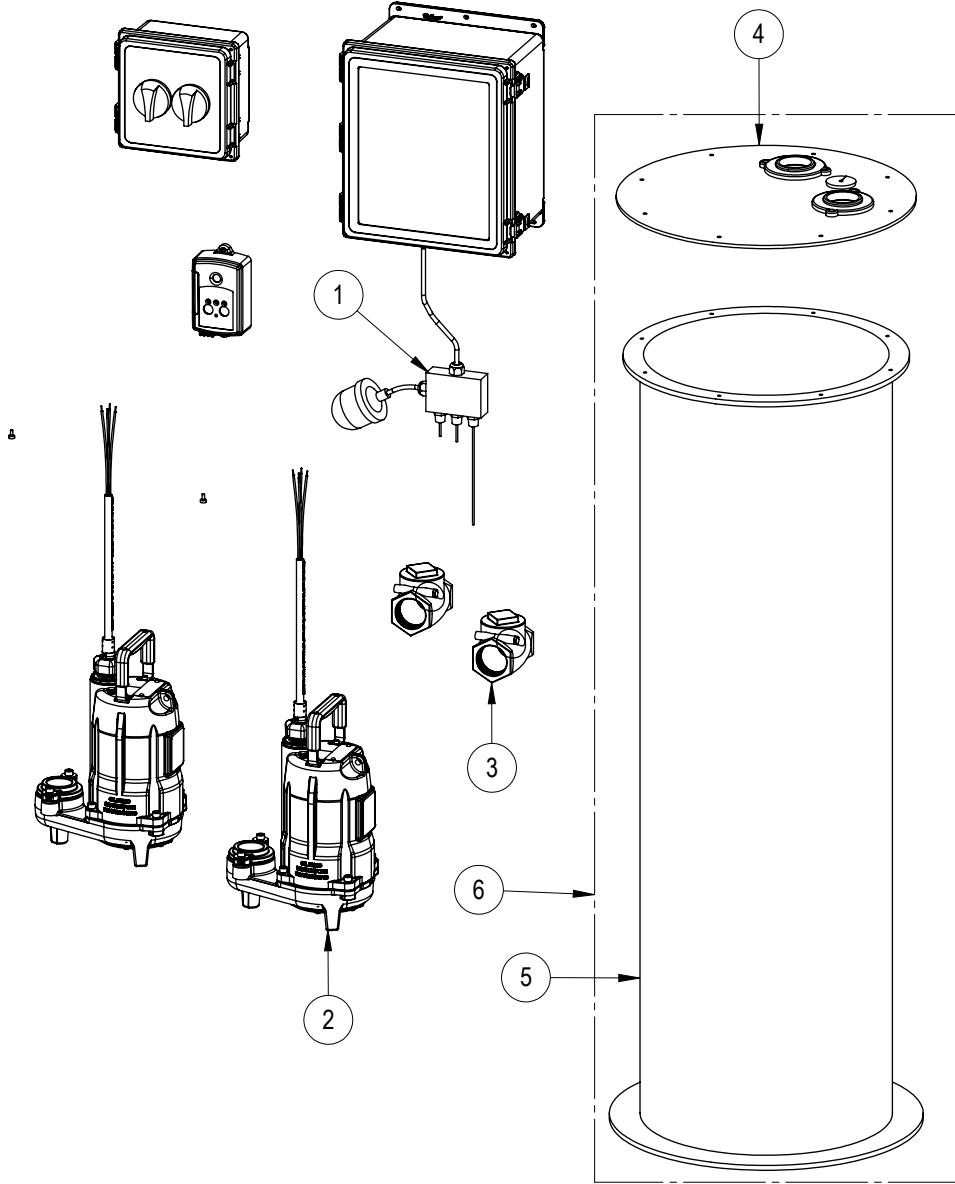


# ELVFL63-DT (B10)



# ELVFL63-DT (B10)

#	PART #	DESCRIPTION	QTY	Note
1	K001523	OTC SENSOR/WIDE ANGLE SWITCH ASSY	1	
2	FL63M-5	6/10 HP 208-230V, 50' CORD	2	
3	K001527	CHECK VALVE, 2" BRASS, THREADED	2	
4	6950000	COVER, 18" STEEL, (2)-2" FNPT CONNECTIONS, (1)- WIRE GROMMET	1	
5	6949000	TANK, 18X54 BLANK WITH FIBERGLASS ANIT-FLOAT	1	
6	K001528	STORAGE TANK W/ COVER 59 GAL	1	