

## 4" SUBMERSIBLE WELL PUMPS

### APPLICATIONS

- For both new installs and replacement applications where water must be transferred under pressure from wells, cisterns, ponds, lakes, and streams

### FEATURES

- Designed for use in 4" and greater diameter water well applications
- Five performance ranges: 5, 8, 12, 16, and 22 gpm
- Horsepower ranges: 1/2 to 1.5
- NSF/ANSI 61 Certified construction for drinking water safe materials that are non-leeching and lead-free
- All stainless steel components are 300 series grade or better
- Industry-standard discharge head and NEMA motor connection bracket produced with proven, reliable, and durable materials. Available in 300 series stainless steel or engineered plastic resins.
- 1.25" NPT discharge pipe connection with sufficient wrench flat area allows for quick and easy installation
- Internal check valve integrated into each pump
- 100% factory performance tested
- Powered by Franklin Electric corrosion-resistant super stainless 4-inch submersible motors with lightning protection
- Maximum water temperature with the proper flow is 120 °F/49 °C. Consult the factory for details.



### SERIES SPECIFICATIONS - PUMP ENDS

Plastic Pump Ends					
GPM	HP	Stages	Volts	Model	Order No.
5	1/2	8	115	W5G05S8-PEP	559100
	1/2	8	230	W5G05S8-PEP	559100
	3/4	12	230	W5G07S12-PEP	559101
	1	15	230	W5G10S15-PEP	559102
8	1/2	7	115	W8G05S7-PEP	559103
	1/2	7	230	W8G05S7-PEP	559103
	3/4	10	230	W8G07S10-PEP	559104
	1	13	230	W8G10S13-PEP	559105
12	1/2	5	115	W12G05S5-PEP	559106
	1/2	5	230	W12G05S5-PEP	559106
	3/4	8	230	W12G07S8-PEP	559107
	1	10	230	W12G10S10-PEP	559108
	1.5	13	230	W12G15S13-PEP	559109
16	3/4	6	230	W16G07S6-PEP	559110
	1	8	230	W16G10S8-PEP	559111
	1.5	11	230	W16G15S11-PEP	559112
22	3/4	5	230	W22G07S5-PEP	559113
	1	6	230	W22G10S6-PEP	559114
	1.5	8	230	W22G15S8-PEP	559115

Stainless Steel Pump Ends					
GPM	HP	Stages	Volts	Model	Order No.
5	1/2	8	115	W5G05S8-PES	559116
	1/2	8	230	W5G05S8-PES	559116
	3/4	12	230	W5G07S12-PES	559117
	1	15	230	W5G10S15-PES	559118
8	1/2	7	115	W8G05S7-PES	559119
	1/2	7	230	W8G05S7-PES	559119
	3/4	10	230	W8G07S10-PES	559120
	1	13	230	W8G10S13-PES	559121
12	1/2	5	115	W12G05S5-PES	559122
	1/2	5	230	W12G05S5-PES	559122
	3/4	8	230	W12G07S8-PES	559123
	1	10	230	W12G10S10-PES	559124
	1.5	13	230	W12G15S13-PES	559125
16	3/4	6	230	W16G07S6-PES	559126
	1	8	230	W16G10S8-PES	559127
	1.5	11	230	W16G15S11-PES	559128
22	3/4	5	230	W22G07S5-PES	559129
	1	6	230	W22G10S6-PES	559130
	1.5	8	230	W22G15S8-PES	559131

# 4" SUBMERSIBLE WELL PUMPS



## 4" SUBMERSIBLE WELL PUMPS

### SERIES SPECIFICATIONS - PLASTIC

Plastic												
GPM	HP	Stages	Volts	2-Wire			3-Wire					
				Pump Motor Assembly		For Replacement	Pump Motor Assembly		For Replacement	Quick Disconnect (QD) Control Box	Capacitor Run (CRC) Control Box	
				Model	Order No.	Motor	Model	Order No.	Motor	Order No.	Order No.	
5	1/2	8	115	W5G05S8-21P	559132	2445049004GS	-	-	-	-	-	-
	1/2	8	230	W5G05S8-22P	559133	2445050117GS	W5G05S8-32P	559170	2145059004GS	2801054915	2824055015	
	3/4	12	230	W5G07S12-22P	559134	2445079004GS	W5G07S12-32P	559171	2145079004GS	2801074915	2824075015	
	1	15	230	W5G10S15-22P	559135	2445089003GS	W5G10S15-32P	559172	2145089003GS	2801084915	2824085015	
8	1/2	7	115	W8G05S7-21P	559136	2445049004GS	-	-	-	-	-	-
	1/2	7	230	W8G05S7-22P	559137	2445050117GS	W8G05S7-32P	559173	2145059004GS	2801054915	2824055015	
	3/4	10	230	W8G07S10-22P	559138	2445079004GS	W8G07S10-32P	559174	2145079004GS	2801074915	2824075015	
	1	13	230	W8G10S13-22P	559139	2445089003GS	W8G10S13-32P	559175	2145089003GS	2801084915	2824085015	
12	1/2	5	115	W12G05S5-21P	559140	2445049004GS	W12G05S5-31P	559176	2145049004GS	2801044915	-	
	1/2	5	230	W12G05S5-22P	559141	2445050117GS	W12G05S5-32P	559177	2145059004GS	2801054915	2824055015	
	3/4	8	230	W12G07S8-22P	559142	2445079004GS	W12G07S8-32P	559178	2145079004GS	2801074915	2824075015	
	1	10	230	W12G10S10-22P	559143	2445089003GS	W12G10S10-32P	559179	2145089003GS	2801084915	2824085015	
	1.5	13	230	W12G15S13-22P	559144	2443099004GS	W12G15S13-32P	559180	2243009203GS	2823008110*	2823008110	
16	3/4	6	230	W16G07S6-22P	559145	2445079004GS	W16G07S6-32P	559181	2145079004GS	2801074915	2824075015	
	1	8	230	W16G10S8-22P	559146	2445089003GS	W16G10S8-32P	559182	2145089003GS	2801084915	2824085015	
	1.5	11	230	W16G15S11-22P	559147	2443099004GS	W16G15S11-32P	559183	2243009203GS	2823008110*	2823008110	
22	3/4	5	230	W22G07S5-22P	559148	2445079004GS	W22G07S5-32P	559184	2145079004GS	2801074915	2824075015	
	1	6	230	W22G10S6-22P	559149	2445089003GS	W22G10S6-32P	559185	2145089003GS	2801084915	2824085015	
	1.5	8	230	W22G15S8-22P	559150	2443099004GS	W22G15S8-32P	559186	2243009203GS	2823008110*	2823008110	

\*Control Box, Standard.

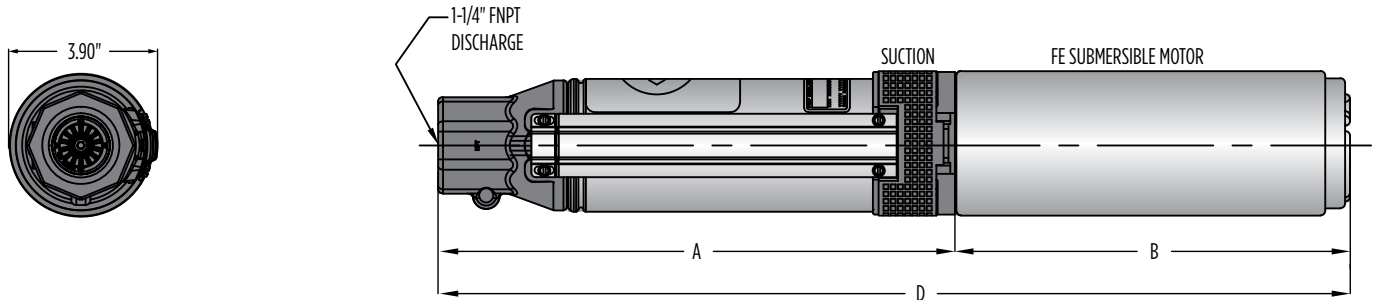
### SERIES SPECIFICATIONS - STAINLESS STEEL

Stainless Steel												
GPM	HP	Stages	Volts	2-Wire			3-Wire					
				Pump Motor Assembly		For Replacement	Pump Motor Assembly		For Replacement	Quick Disconnect (QD) Control Box	Capacitor Run (CRC) Control Box	
				Model	Order No.	Motor	Model	Order No.	Motor	Order No.	Order No.	
5	1/2	8	115	W5G05S8-21S	559151	2445049004GS	-	-	-	-	-	-
	1/2	8	230	W5G05S8-22S	559152	2445050117GS	W5G05S8-32S	559187	2145059004GS	2801054915	2824055015	
	3/4	12	230	W5G07S12-22S	559153	2445079004GS	W5G07S12-32S	559188	2145079004GS	2801074915	2824075015	
	1	15	230	W5G10S15-22S	559154	2445089003GS	W5G10S15-32S	559189	2145089003GS	2801084915	2824085015	
8	1/2	7	115	W8G05S7-21S	559155	2445049004GS	-	-	-	-	-	-
	1/2	7	230	W8G05S7-22S	559156	2445050117GS	W8G05S7-32S	559190	2145059004GS	2801054915	2824055015	
	3/4	10	230	W8G07S10-22S	559157	2445079004GS	W8G07S10-32S	559191	2145079004GS	2801074915	2824075015	
	1	13	230	W8G10S13-22S	559158	2445089003GS	W8G10S13-32S	559192	2145089003GS	2801084915	2824085015	
12	1/2	5	115	W12G05S5-21S	559159	2445049004GS	W12G05S5-31S	559193	2145049004GS	-	-	
	1/2	5	230	W12G05S5-22S	559160	2445050117GS	W12G05S5-32S	559194	2145059004GS	2801054915	2824055015	
	3/4	8	230	W12G07S8-22S	559161	2445079004GS	W12G07S8-32S	559195	2145079004GS	2801074915	2824075015	
	1	10	230	W12G10S10-22S	559162	2445089003GS	W12G10S10-32S	559196	2145089003GS	2801084915	2824085015	
	1.5	13	230	W12G15S13-22S	559163	2443099004GS	W12G15S13-32S	559197	2243009203GS	2823008110*	2823008110	
16	3/4	6	230	W16G07S6-22S	559164	2445079004GS	W16G07S6-32S	559198	2145079004GS	2801074915	2824075015	
	1	8	230	W16G10S8-22S	559165	2445089003GS	W16G10S8-32S	559199	2145089003GS	2801084915	2824085015	
	1.5	11	230	W16G15S11-22S	559166	2443099004GS	W16G15S11-32S	559200	2243009203GS	2823008110*	2823008110	
22	3/4	5	230	W22G07S5-22S	559167	2445079004GS	W22G07S5-32S	559201	2145079004GS	2801074915	2824075015	
	1	6	230	W22G10S6-22S	559168	2445089003GS	W22G10S6-32S	559202	2145089003GS	2801084915	2824085015	
	1.5	8	230	W22G15S8-22S	559169	2443099004GS	W22G15S8-32S	559203	2243009203GS	2823008110*	2823008110	

\*Control Box, Standard.

## 4" SUBMERSIBLE WELL PUMPS

### DIMENSIONS - PLASTIC DISCHARGE PUMP/MOTOR

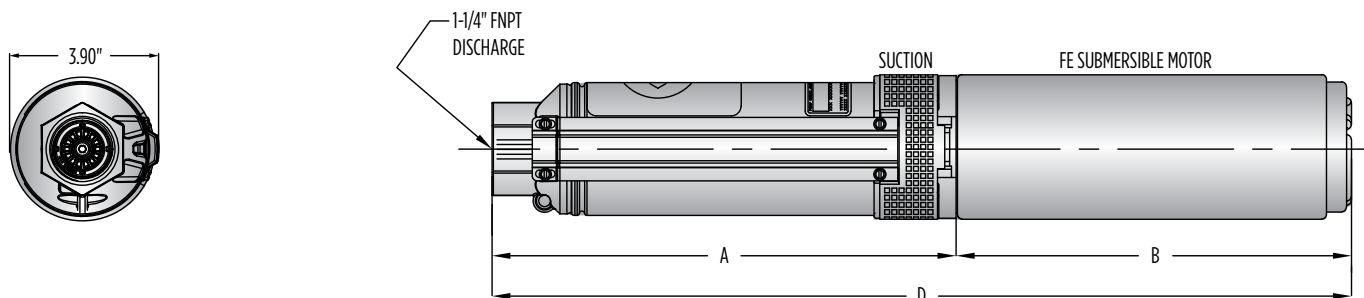


Plastic Discharge Pump/Motor													
GPM	HP	Stages	2-Wire						3-Wire				
			Dimensions (in)			Wt. (lbs)			Dimensions (in)			Wt. (lbs)	
			A	B	C	PE	PMA	A	B	C	PE	PMA	
5	1/2	8	14.0	9.5	23.5	8	26	14.0	9.5	23.5	8	26	
	3/4	12	17.7	10.6	28.3	9	30	17.7	10.6	28.3	9	30	
	1	15	20.1	11.7	31.9	10	34	20.1	11.7	31.9	10	34	
8	1/2	7	13.3	9.5	22.8	7	25	13.3	9.5	22.8	7	25	
	3/4	10	15.7	10.6	26.4	8	29	15.7	10.6	26.4	8	29	
	1	13	18.4	11.7	30.1	10	34	18.4	11.7	30.1	10	34	
12	1/2	6	12.0	9.5	21.6	7	25	12.0	9.5	21.6	7	25	
	3/4	8	14.7	10.6	25.4	8	29	14.7	10.6	25.4	8	29	
	1	11	16.8	11.7	28.5	9	33	16.8	11.7	28.5	9	33	
	1.5	15	19.5	15.1	34.6	10	41	19.5	13.6	33.1	10	41	
16	3/4	6	14.9	10.6	25.5	7	28	14.9	10.6	25.5	7	28	
	1	9	17.3	11.7	29.0	8	32	17.3	11.7	29.0	8	32	
	1.5	11	21.0	15.1	36.1	9	40	21.0	13.6	34.6	9	40	
22	3/4	5	13.6	10.6	24.3	6	28	13.6	10.6	24.3	6	28	
	1	7	14.9	11.7	26.6	8	32	14.9	11.7	26.6	8	32	
	1.5	10	17.3	15.1	32.4	8	39	17.3	13.6	30.9	8	39	

# 4" SUBMERSIBLE WELL PUMPS

## 4" SUBMERSIBLE WELL PUMPS

### DIMENSIONS - STAINLESS STEEL DISCHARGE PUMP/MOTOR



Stainless Steel Discharge Pump/Motor												
GPM	HP	Stages	2-Wire					3-Wire				
			Dimensions (in)			Wt. (lbs)		Dimensions (in)			Wt. (lbs)	
			A	B	C	PE	PMA	A	B	C	PE	PMA
5	1/2	8	13.7	9.5	23.2	10	28	13.7	9.5	23.2	10	29
	3/4	12	16.9	10.6	27.6	12	33	16.9	10.6	27.6	12	33
	1	15	19.6	11.7	31.4	14	38	19.6	11.7	31.4	14	38
8	1/2	7	12.9	9.5	22.4	7	25	12.9	9.5	22.4	9	28
	3/4	10	15.3	10.6	26.0	10	31	15.3	10.6	26.0	10	31
	1	13	17.8	11.7	29.5	11	35	17.8	11.7	29.5	11	35
12	1/2	5	11.6	9.5	21.1	7	25	11.6	9.5	21.1	9	28
	3/4	8	14.3	10.6	25.0	10	31	14.3	10.6	25.0	10	31
	1	10	26.2	11.7	27.9	11	35	16.2	11.7	27.9	11	35
	1.5	13	18.9	15.1	34.0	14	45	18.9	13.6	32.5	14	42
16	3/4	6	14.5	10.6	25.1	10	31	14.5	10.6	25.1	9	30
	1	8	16.9	11.7	28.6	11	35	16.9	11.7	28.6	11	35
	1.5	11	20.6	15.1	35.7	14	45	20.6	13.6	34.2	14	42
22	3/4	5	13.2	10.6	24.9	7	29	13.2	10.6	24.9	7	29
	1	6	14.5	11.7	26.2	9	33	14.5	11.7	26.2	9	33
	1.5	8	16.9	15.1	32.0	10	41	16.9	13.6	30.5	10	41

# 4" SUBMERSIBLE WELL PUMPS



5 GPM

## CAPACITIES IN GPM

Model	HP	PSI	Depth to Pumping Water Level (ft)																		Shut-Off (ft)				
			0	20	40	60	80	100	120	140	160	180	200	240	280	320	360	400	440	500		550	600		
W5G05	1/2	0										7	7	6	5	4								312	
		10									7	7	6	6	4										
		20							7	7	7	6	6	5	3										
		30					7	7	7	6	6	5	4												
		40				7	7	7	6	6	5	4	3												
		50			7	7	7	6	6	5	4														
		60		7	7	6	6	5	5	4															
		70	7	7	6	6	5	5	3																
		80	7	6	6	5	4	3																	
Shut-Off PSI														7	7	6	5	4	3						
W5G07	3/4	0													7	6	5	4	3					491	
		10													7	6	5	4							
		20											7	7	6	5	4	3							
		30										7	7	6	6	5	4								
		40									7	7	7	6	5	4	3								
		50							7	7	7	6	5	4	3										
		60						7	7	7	6	6	5	4											
		70					7	7	7	6	6	6	5	4	3										
		80				7	7	7	6	6	6	5	5	4											
Shut-Off PSI					187	178	169	161	152	143	135	126	109	91	74	57	39	22							
W5G1	1	0														7	7	6	5	5	4	3	609		
		10														7	7	6	6	5	4	4			
		20														7	7	6	5	4	3	3			
		30													7	7	6	6	5	4	3				
		40													7	6	6	5	4	3					
		50												7	7	6	5	5	4	3					
		60											7	7	6	6	5	4	3						
		70									7	7	7	7	6	5	4	4							
		80								7	7	7	7	6	6	5	4	3							
Shut-Off PSI								212	203	194	186	177	160	142	125	108	90	73	56	47	26				

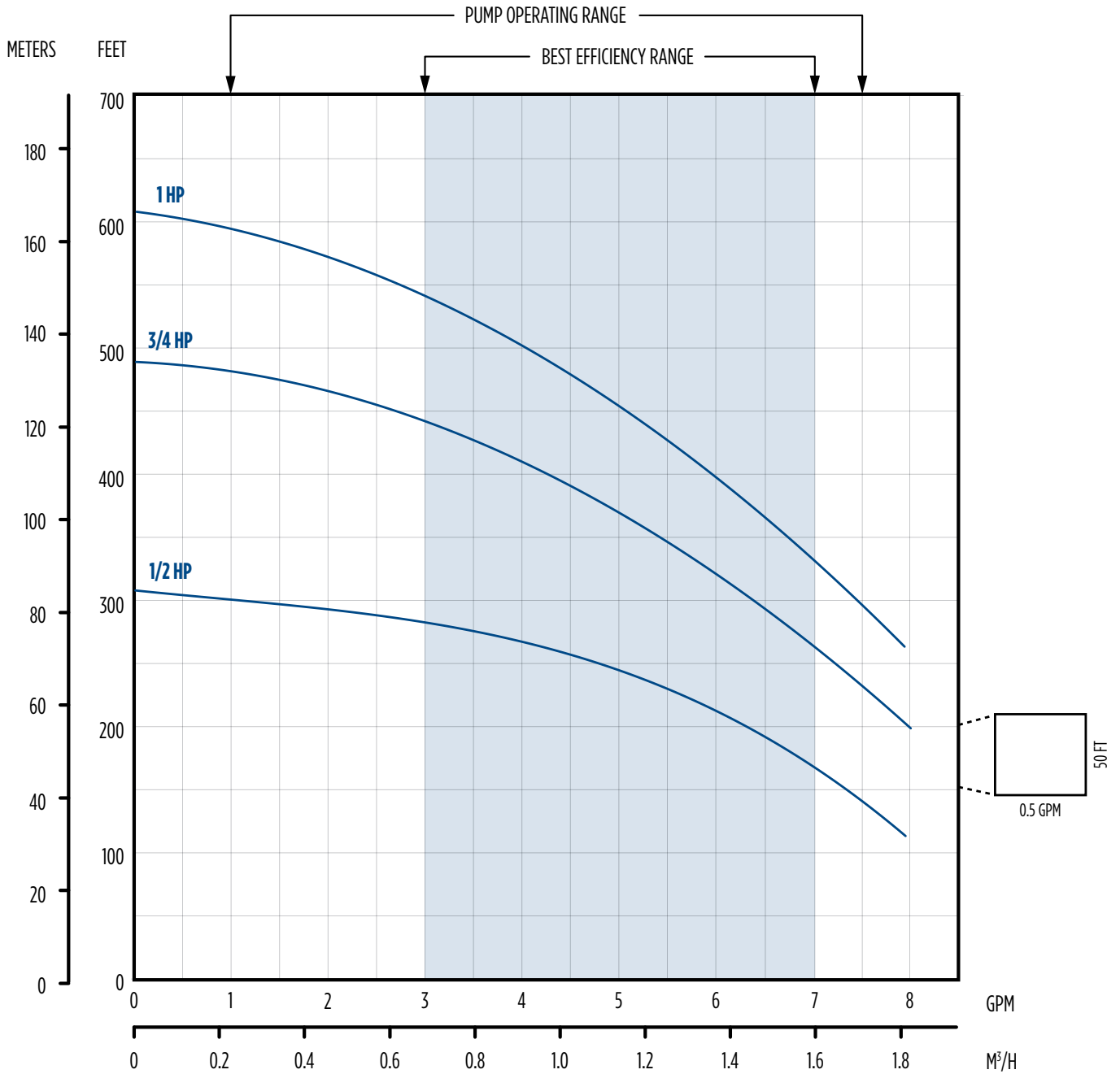
NOTE: Performance shown does not include friction loss in the drop pipe; all performance data is based on rated motor nameplate voltage

# 4" SUBMERSIBLE WELL PUMPS

MENU

5 GPM

## PERFORMANCE DATA



# 4" SUBMERSIBLE WELL PUMPS

LittleGIANT®



8 GPM

## CAPACITIES IN GPM

Model	HP	PSI	Depth to Pumping Water Level (ft)																		Shut-Off (ft)			
			0	20	40	60	80	100	120	140	160	180	200	240	280	320	360	400	440	500		550	600	
W8G05	1/2	0					13	13	12	11	10	9	8	6										282
		10				13	12	12	11	10	9	8	7											
		20			13	12	12	11	10	9	8	7												
		30		13	12	11	11	10	9	8	7													
		40	13	12	11	11	10	9	8	6														
		50	12	11	10	10	9	8	6															
		60	11	10	9	8	7	6																
		70	10	9	8	7	6																	
		80	9	8	7	6																		
Shut-Off PSI			122	113	105	96	87	79	70	61	53	44	35	18										
W8G07	3/4	0						13	13	13	12	12	11	10	9	7							406	
		10					13	12	12	12	11	11	10	9	8	6								
		20				13	13	12	12	11	11	10	10	8	7									
		30			13	13	12	12	11	11	10	10	9	8	6									
		40		13	13	12	12	11	11	10	10	9	8	7										
		50	13	13	12	12	11	11	10	9	9	8	7											
		60	13	12	12	11	11	10	9	9	8	7	6											
		70	12	12	11	10	10	9	9	8	7	6												
		80	11	11	10	10	9	8	8	7	6													
Shut-Off PSI			176	167	158	150	141	132	124	115	106	98	89	72	55	37								
W8G1	1	0								13	13	12	12	11	10	9	8	6					526	
		10						13	13	13	12	12	12	11	10	9	8	7						
		20					13	13	13	12	12	12	11	10	10	9	7	6						
		30				13	13	13	12	12	12	11	11	10	9	8	7	5						
		40			13	13	13	12	12	12	11	11	10	9	8	7	6							
		50		13	13	13	12	12	11	11	11	10	10	9	8	6								
		60	13	13	13	12	12	11	11	11	10	10	9	8	7	6								
		70	13	12	12	12	11	11	11	10	10	9	9	7	6									
		80	12	12	12	11	11	10	10	10	9	9	8	7										
Shut-Off PSI			228	219	210	202	193	184	176	167	158	150	141	124	106	89	72	55	37					

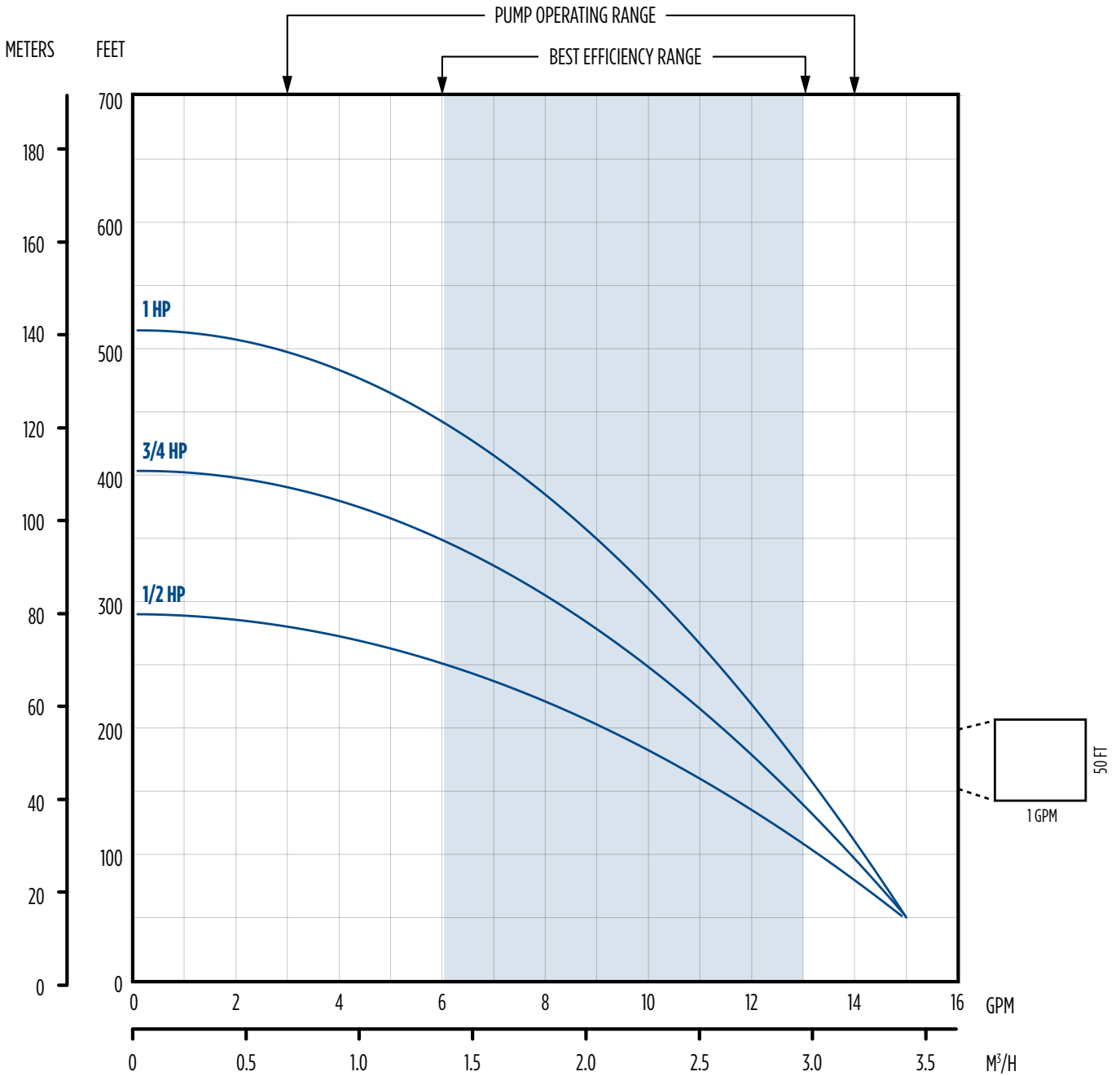
NOTE: Performance shown does not include friction loss in the drop pipe; all performance data is based on rated motor nameplate voltage

# 4" SUBMERSIBLE WELL PUMPS

MENU

8 GPM

## PERFORMANCE DATA





# 4" SUBMERSIBLE WELL PUMPS

LittleGIANT®



12 GPM

## CAPACITIES IN GPM

Model	HP	PSI	Depth to Pumping Water Level (ft)																		Shut-Off (ft)			
			0	20	40	60	80	100	120	140	160	180	200	240	280	320	360	400	440	500		550	600	
W12G05	1/2	0					16.3	14.9	13.3	11.6	9.5	6.9												212
		10				16.1	14.7	13.1	11.3	9.1	6.4													
		20			15.9	14.4	12.8	11.0	8.7															
		30		15.7	14.2	12.6	10.6	8.4																
		40	15.4	14.0	12.3	10.3	8.0																	
		50	13.7	12.0	10.0	7.5																		
		60	11.7	9.6	7.1																			
		70	9.3	6.6																				
		80																						
Shut-Off PSI			92	83	74	66	57	48	40	31	23	14												
W12G07	3/4	0							16.3	15.4	14.5	13.6	12.6	10.3	7.4								340	
		10						16.1	15.3	14.4	13.4	12.4	11.3	8.7										
		20					16.0	15.2	14.3	13.3	12.3	11.1	9.9	6.9										
		30				15.9	15.0	14.1	13.1	12.1	10.9	9.7	8.3											
		40			15.8	14.9	14.0	13.0	11.9	10.8	9.5	8.0												
		50		15.6	14.7	13.8	12.8	11.7	10.6	9.3	7.8													
		60	15.5	14.6	13.7	12.7	11.6	10.4	9.0	7.5														
		70	14.5	13.5	12.5	11.4	10.2	8.8	7.3															
		80	13.4	12.3	11.2	10.0	8.6	7.0																
Shut-Off PSI			147	139	130	121	113	104	95	87	78	69	61	43	26									
W12G1	1	0									16.2	15.5	14.8	13.3	11.6	9.5	6.9					421		
		10								16.1	15.4	14.7	14.0	12.3	10.4	8.1								
		20							16.0	15.3	14.6	13.8	13.0	11.3	9.1									
		30					16.5	15.9	15.2	14.5	13.7	12.9	12.0	10.1	7.6									
		40				16.4	15.8	15.1	14.4	13.6	12.8	11.9	11.0	8.7										
		50			16.3	15.7	15.0	14.2	13.5	12.7	11.8	10.8	9.7	7.2										
		60		16.2	15.6	14.9	14.1	13.4	12.5	11.6	10.6	9.6	8.4											
		70	16.1	15.4	14.8	14.0	13.2	12.4	11.5	10.5	9.4	8.1	6.7											
		80	15.3	14.6	13.9	13.1	12.2	11.3	10.3	9.2	7.9													
Shut-Off PSI			182	174	165	156	148	139	130	122	113	104	96	78	61	44	26							
W12G15	1.5	0										16.3	15.2	14.1	12.9	11.5	10.0	8.3				548		
		10										16.2	15.7	14.6	13.4	12.1	10.7	9.0	7.1					
		20										16.1	15.6	15.1	13.9	12.7	11.3	9.8	8.0					
		30									16.0	15.5	15.0	14.4	13.2	11.9	10.4	8.8	6.8					
		40							16.0	15.4	14.9	14.3	13.7	12.5	11.1	9.5	7.7							
		50					16.4	15.9	15.4	14.8	14.2	13.6	13.0	11.7	10.2	8.5								
		60				16.3	15.8	15.3	14.7	14.1	13.6	12.9	12.3	10.9	9.2	7.3								
		70			16.2	15.7	15.2	14.6	14.1	13.5	12.8	12.2	11.5	10.0	8.2									
		80		16.2	15.6	15.1	14.5	14.0	13.4	12.7	12.1	11.4	10.6	9.0	7.0									
Shut-Off PSI			237	229	220	211	203	194	185	177	168	159	151	133	116	99	81	64	47					

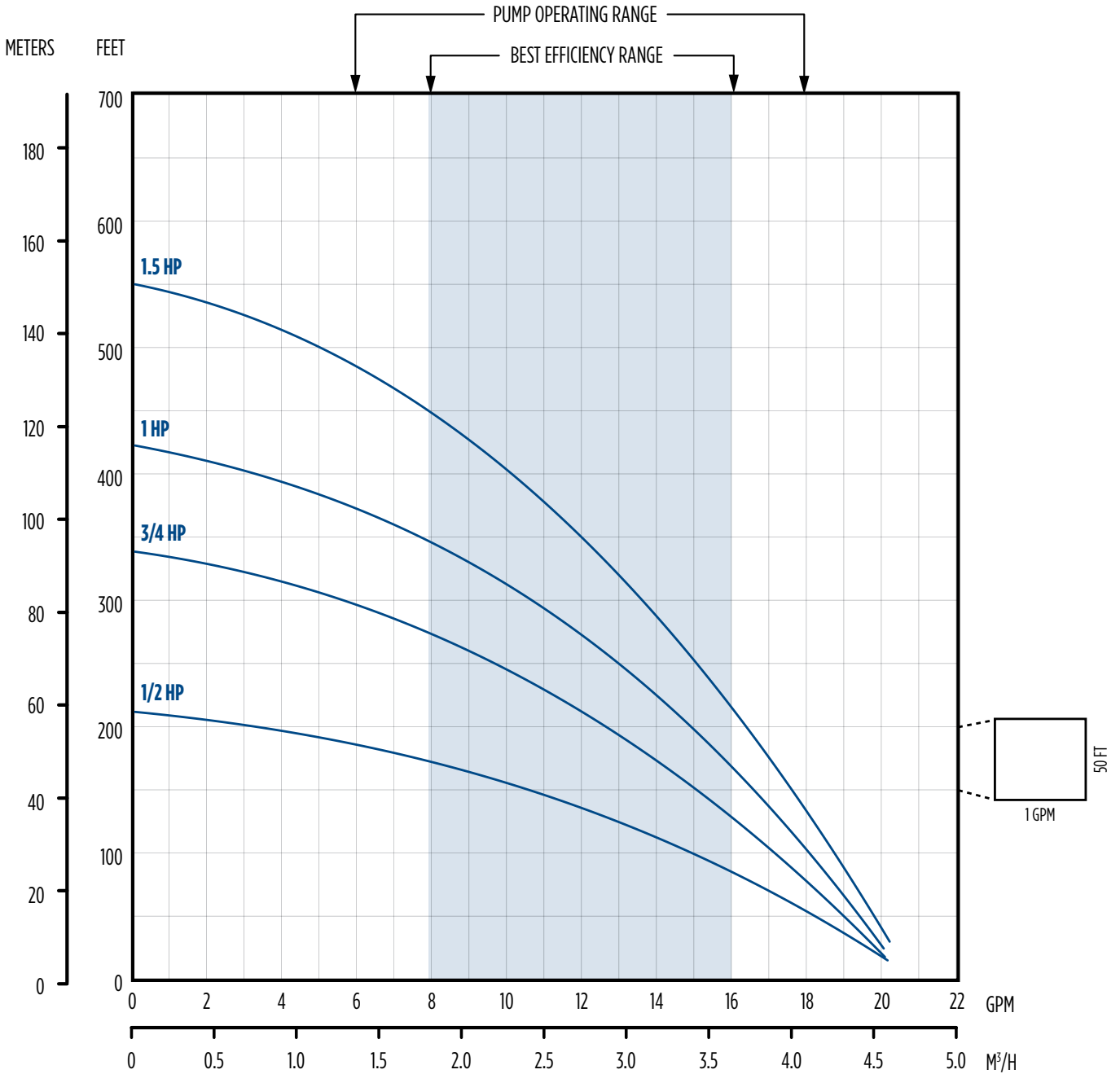
NOTE: Performance shown does not include friction loss in the drop pipe; all performance data is based on rated motor nameplate voltage

# 4" SUBMERSIBLE WELL PUMPS

MENU

12 GPM

## PERFORMANCE DATA



# 4" SUBMERSIBLE WELL PUMPS



16 GPM

## CAPACITIES IN GPM

Model	HP	PSI	Depth to Pumping Water Level (ft)																		Shut-Off (ft)			
			0	20	40	60	80	100	120	140	160	180	200	240	280	320	360	400	440	500		550	600	
W16G07	3/4	0					25	23	21	19	16	13												216
		10				25	23	21	18	15	12													
		20			25	23	20	18	15	11														
		30		24	22	20	17	14	11															
		40	24	22	20	17	14	10																
		50	22	19	17	13																		
		60	19	16	13																			
		70	16	12																				
80	12																							
Shut-Off PSI			94	85	76	68	59	50	42	33	24	16												
W16G1	1	0					27	25	24	22	21	19	17	12									288	
		10					25	24	22	21	19	17	15											
		20				25	23	22	20	18	16	14	12											
		30			25	23	22	20	18	16	14	11												
		40		24	23	21	20	18	16	13	11													
		50	24	23	21	19	18	15	13	10														
		60	23	21	19	17	15	13																
		70	21	19	17	15	12																	
80	19	17	14	12																				
Shut-Off PSI			125	116	107	99	90	81	73	64	55	47	38	21										
W16G15	1.5	0								25	24	23	22	19	17	13							395	
		10								25	24	23	22	20	18	15	11							
		20							25	24	22	21	20	19	16	13								
		30					25	24	23	22	21	20	19	17	14	10								
		40			25	24	23	22	21	20	19	17	16	12										
		50		25	24	23	22	21	20	18	17	15	14											
		60	25	24	23	22	21	19	18	17	15	13	11											
		70	24	23	22	20	19	18	16	15	13	11												
80	23	21	20	19	18	16	15	13	11															
Shut-Off PSI			171	162	154	145	136	128	119	110	102	93	84	67	50	32								

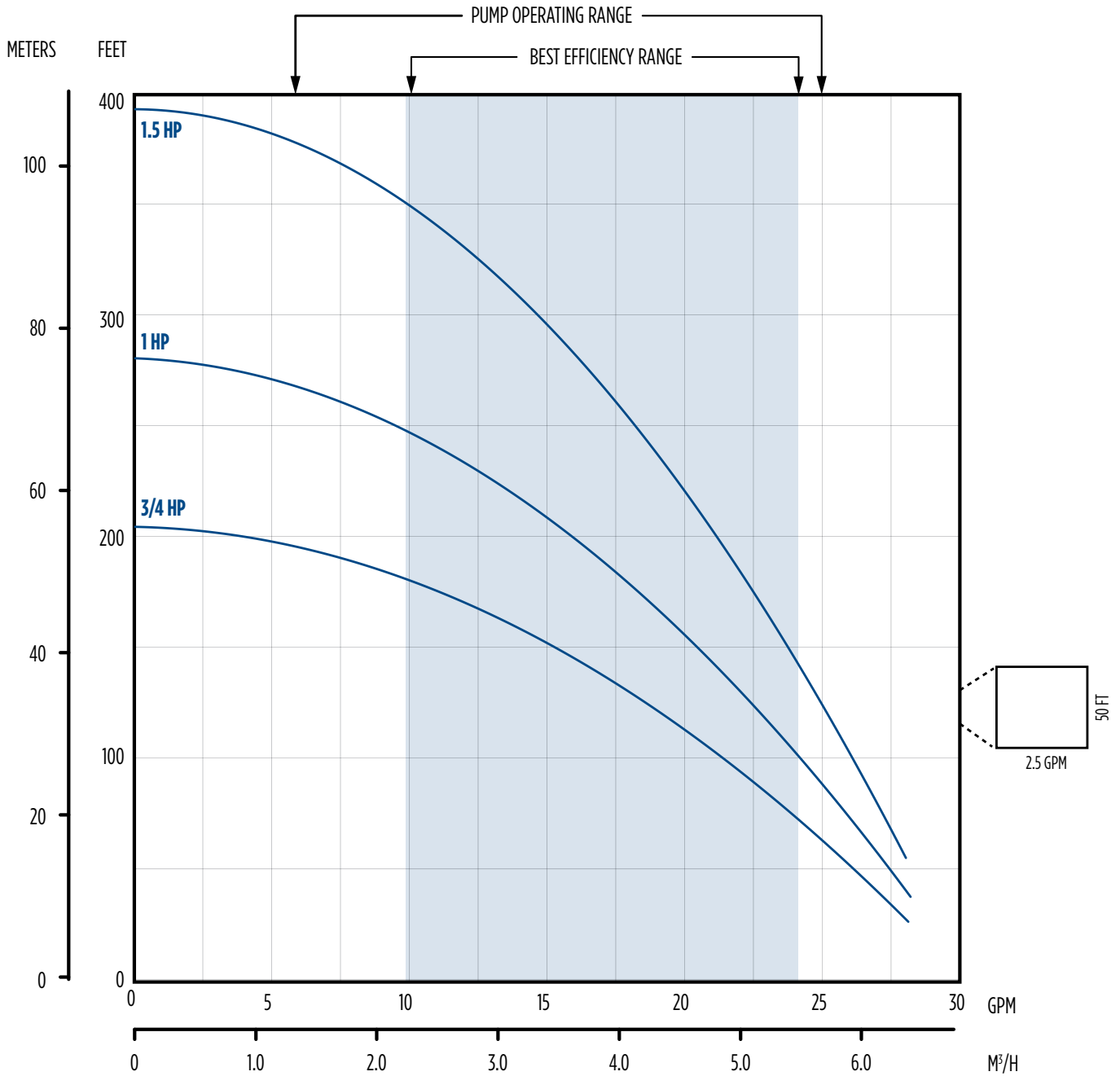
NOTE: Performance shown does not include friction loss in the drop pipe; all performance data is based on rated motor nameplate voltage

# 4" SUBMERSIBLE WELL PUMPS

MENU

16 GPM

## PERFORMANCE DATA



# 4" SUBMERSIBLE WELL PUMPS



## 22 GPM

### CAPACITIES IN GPM

Model	HP	PSI	Depth to Pumping Water Level (ft)																			Shut-Off (ft)				
			0	20	40	60	80	100	120	140	160	180	200	240	280	320	360	400	440	500	550		600			
W22G07	3/4	0						29	26	22	18													188		
		10					28	25	22	17																
		20				28	25	21	16																	
		30		30	27	24	21	16																		
		40	30	27	24	20																				
		50	27	23	19																					
		60	23	18																						
		70	18																							
Shut-Off PSI			81	73	64	55	47	38	29	21	12															
W22G1	1	0						31	29	26	23	20	15												221	
		10					31	28	26	23	19															
		20				30	28	25	22	18																
		30			30	27	25	22	18																	
		40		29	27	24	21	17																		
		50	29	27	24	20	16																			
		60	26	23	20																					
		70	23	19																						
Shut-Off PSI			96	87	78	70	61	52	44	35	26	18	9													
W22G15	1.5	0								30	29	27	25	20										289		
		10								30	28	27	24	22	16											
		20								30	28	26	24	22	19											
		30							30	28	26	24	21	18	15											
		40				29	28	26	23	21	18															
		50			29	27	25	23	21	17																
		60		29	27	25	23	20	17																	
		70	29	27	25	22	20	16																		
Shut-Off PSI			125	116	108	99	90	82	73	65	56	47	39	21												

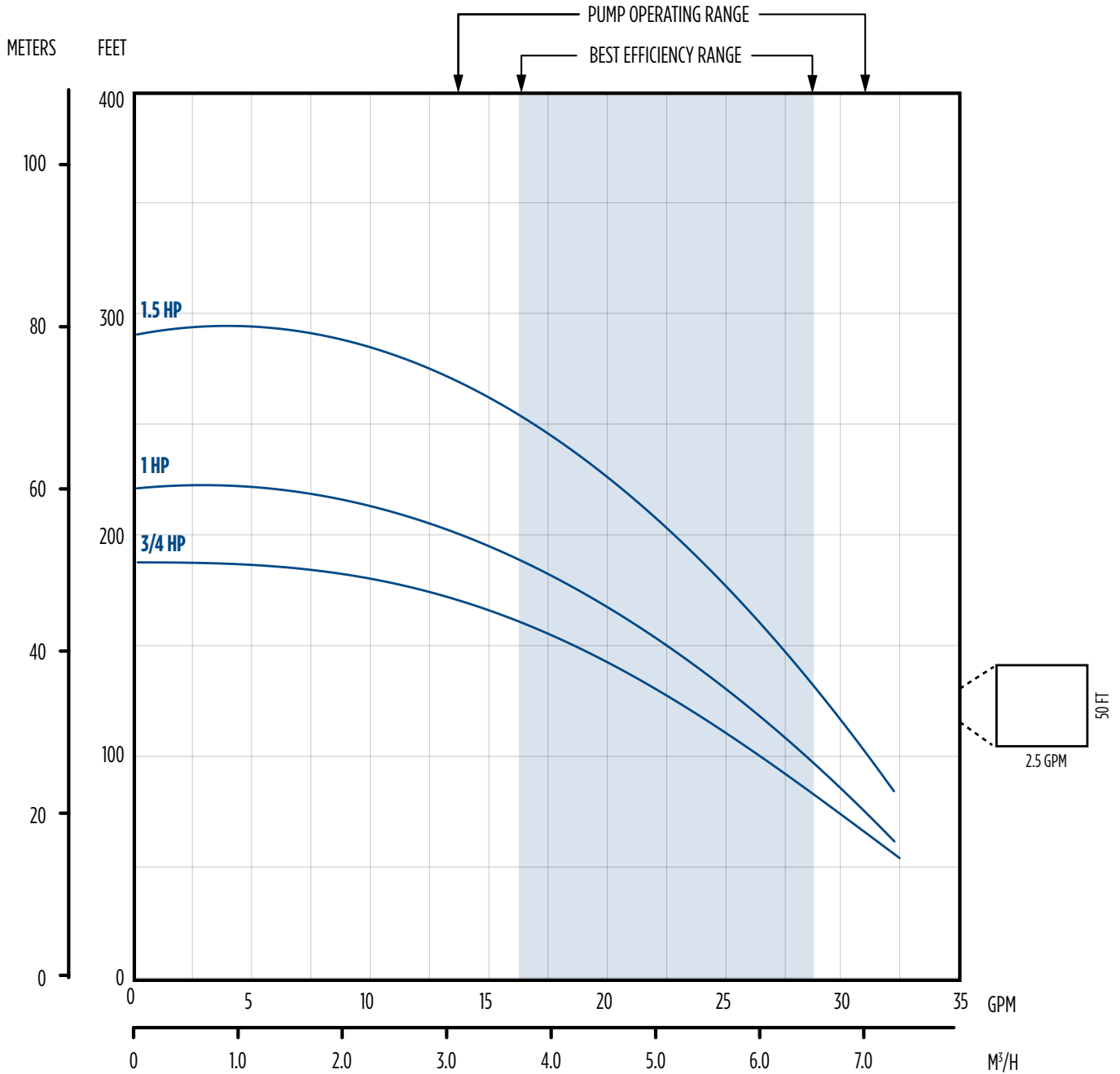
NOTE: Performance shown does not include friction loss in the drop pipe; all performance data is based on rated motor nameplate voltage

# 4" SUBMERSIBLE WELL PUMPS

MENU

22 GPM

## PERFORMANCE DATA



# 4" HIGH CAPACITY PUMPS



## 4" HIGH CAPACITY PUMPS

### APPLICATIONS

- For both new installs and replacement applications where water must be transferred under pressure from wells, cisterns, ponds, lakes, and streams

### FEATURES

- Four performance ranges: 35, 60, and 90 gpm
- 2" NPT discharge; Check valve must be ordered separately
- Stainless steel discharge head and motor bracket
- High flow hydraulic staging allows for maximum pump output, exceeds all energy efficiency standards, and provides increased product longevity
- Ceramic shaft sleeve and rubber discharge bearing eliminates sand wear
- Intermediate bearing for increased shaft stability when pump lengths dictate on high horse, high performance constructions
- Impeller eye and hub seals for improved performance and efficiency
- Stainless steel hex pump shaft, shell, and shaft coupling
- High capacity upthrust assembly for protection during start-up and operation (35, 60, and 90 gpm models)
- Designed for optimal performance when powered by Franklin's corrosion-resistant 4" submersible motors
- NSF/ANSI 61 Certified construction for drinking water safe materials



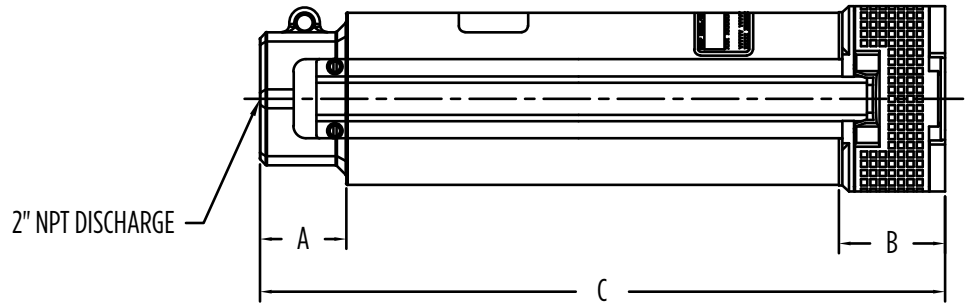
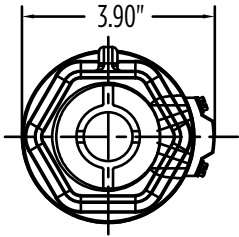
### SERIES SPECIFICATIONS

GPM	Item No.	Model	HP	Stages	Basic Model	PEI <sub>CL</sub> Number	Dimensions (in) Pump End Only	Wt. (lbs)
35	558523	W35G10S05-PE	1	5	35S4	0.83	11.9	8
	558524	W35G15S07-PE	1-1/2	7			14.5	9
	558525	W35G20S09-PE	2	9			17	10
	558526	W35G30S12-PE	3	12			20.9	11
	558527	W35G50S20-PE	5	20			33.3	16
60	558528	W60G20S07-PE	2	7	60S4	0.94	23.5	10
	558529	W60G30S10-PE	3	10			33.3	12
	558530	W60G50S16-PE	5	16			48.8	18
	558531	W60G75S23-PE	7-1/2	23			68.8	25
90	558532	W90G20S06-PE	2	6	90S4	0.92	23.4	10
	558533	W90G30S08-PE	3	8			31.4	12
	558534	W90G50S13-PE	5	13			46.3	17
	558535	W90G75S19-PE	7-1/2	19			66.2	23
	558617	W90G10S25-PE	10	25			84.2	29

NOTE: All lengths are in inches. Discharge is 2" NPT; maximum diameter with cable guard is 3.90" (9.9 cm)

# 4" HIGH CAPACITY PUMPS

## DIMENSIONS



GPM	Item No.	Model	Dimension "A"	Dimension "B"	Dimension "C"
35	558523	W35G10S05-PE	1.75" (4.4 cm)	2.15" (5.5 cm)	11.9"
	558524	W35G15S07-PE	1.75" (4.4 cm)	2.15" (5.5 cm)	14.5"
	558525	W35G20S09-PE	1.75" (4.4 cm)	2.15" (5.5 cm)	17"
	558526	W35G30S12-PE	1.75" (4.4 cm)	2.15" (5.5 cm)	20.9"
	558527	W35G50S20-PE	1.75" (4.4 cm)	2.15" (5.5 cm)	22.2"
60	558528	W60G20S07-PE	1.75" (4.4 cm)	2.15" (5.5 cm)	23.5"
	558529	W60G30S10-PE	1.75" (4.4 cm)	2.15" (5.5 cm)	33.3"
	558530	W60G50S16-PE	1.75" (4.4 cm)	2.15" (5.5 cm)	48.8"
	558531	W60G75S23-PE	1.75" (4.4 cm)	2.15" (5.5 cm)	68.8"
90	558532	W90G20S06-PE	1.75" (4.5 cm)	2.15" (5.5 cm)	23.4"
	558533	W90G30S08-PE	1.75" (4.5 cm)	2.15" (5.5 cm)	31.4"
	558534	W90G50S13-PE	1.75" (4.5 cm)	2.15" (5.5 cm)	46.3"
	558535	W90G75S19-PE	1.75" (4.5 cm)	2.15" (5.5 cm)	66.2"
	558617	W90G10S25-PE	1.75" (4.5 cm)	2.15" (5.5 cm)	84.2"



# 4" HIGH CAPACITY PUMPS



## 35 GPM

### CAPACITIES IN GPM (LPM)

Model	HP	Stage	PSI	Depth to Pumping Water Level (Lift) in Feet (Meters). Shaded Areas Indicate Most Efficient Performance.																			Shut-Off ft (m)					
				0 (0)	20 (6.1)	40 (12.2)	60 (18.3)	80 (24.4)	100 (30.1)	120 (36.6)	140 (42.7)	160 (48.8)	180 (54.9)	200 (61)	240 (73.2)	280 (85.3)	320 (97.5)	360 (109.8)	400 (121.9)	440 (134.1)	480 (146.3)	500 (152.4)		550 (167.6)	600 (182.8)			
W35G10S05-PE	1	5	0					44	40	35	28														161			
			10				44	39	34	27																		
			20			43	39	33	25																			
			30		42	38	32	23																				
			40	42	37	31																						
			50	36	30																							
			60	29																								
Shut-Off PSI			70	61	52	44	35	26	18	9																		
W35G15S07-PE	1-1/2	7	0							43	41	37	33	28										230				
			10					46	43	40	37	32	27															
			20				45	43	40	36	32	26																
			30			45	42	39	35	31	24																	
			40		44	42	39	35	30	23																		
			50	44	41	38	34	29	21																			
			60	41	37	33	28																					
			70	37	33	27																						
80	32	26																										
Shut-Off PSI			100	91	82	74	65	56	48	39	30	22	13															
W35G20S09-PE	2	9	0							44	42	40	37	30									300					
			10							44	42	39	36	33	25													
			20					46	43	41	39	36	33	29														
			30				45	43	41	38	35	32	28	23														
			40			45	43	40	38	35	32	27	22															
			50		45	42	40	37	34	31	27	20																
			60	44	42	40	37	34	30	26																		
			70	42	39	37	33	30	25																			
80	39	36	33	29	24																							
Shut-Off PSI			130	121	113	104	95	87	78	69	61	52	43	26														
W35G30S12-PE	3	12	0									45	44	40	37	32	25						400					
			10									45	43	42	38	34	28											
			20								45	43	42	40	36	31	23											
			30							44	43	41	40	38	33	27												
			40					44	43	41	39	37	35	30														
			50			45	44	42	41	39	37	35	32	26														
			60		45	44	42	41	39	37	34	32	29															
			70		45	44	42	40	38	36	34	31	28	24														
80	45	43	42	40	38	36	34	31	28	23																		
Shut-Off PSI			173	165	156	147	139	130	121	113	104	95	87	69	52	35	17											
W35G50S20-PE	5	20	0													44	42	40	38	36	34	30	24	650				
			10														44	42	40	38	35	32	28		20			
			20														44	42	40	38	35	32	30		25			
			30															45	43	41	39	36	33		28	21		
			40															45	44	42	40	37	35		32	25		
			50															45	44	42	41	38	36		33	29	22	
			60															45	44	43	41	39	37		34	31	27	21
			70												45	44	43	42	40	38	35	32	29		24			
80											45	44	43	42	41	39	37	34	30	26								
Shut-Off PSI										229	221	212	203	195	177	160	143	126	108	91	74	65	43	22				

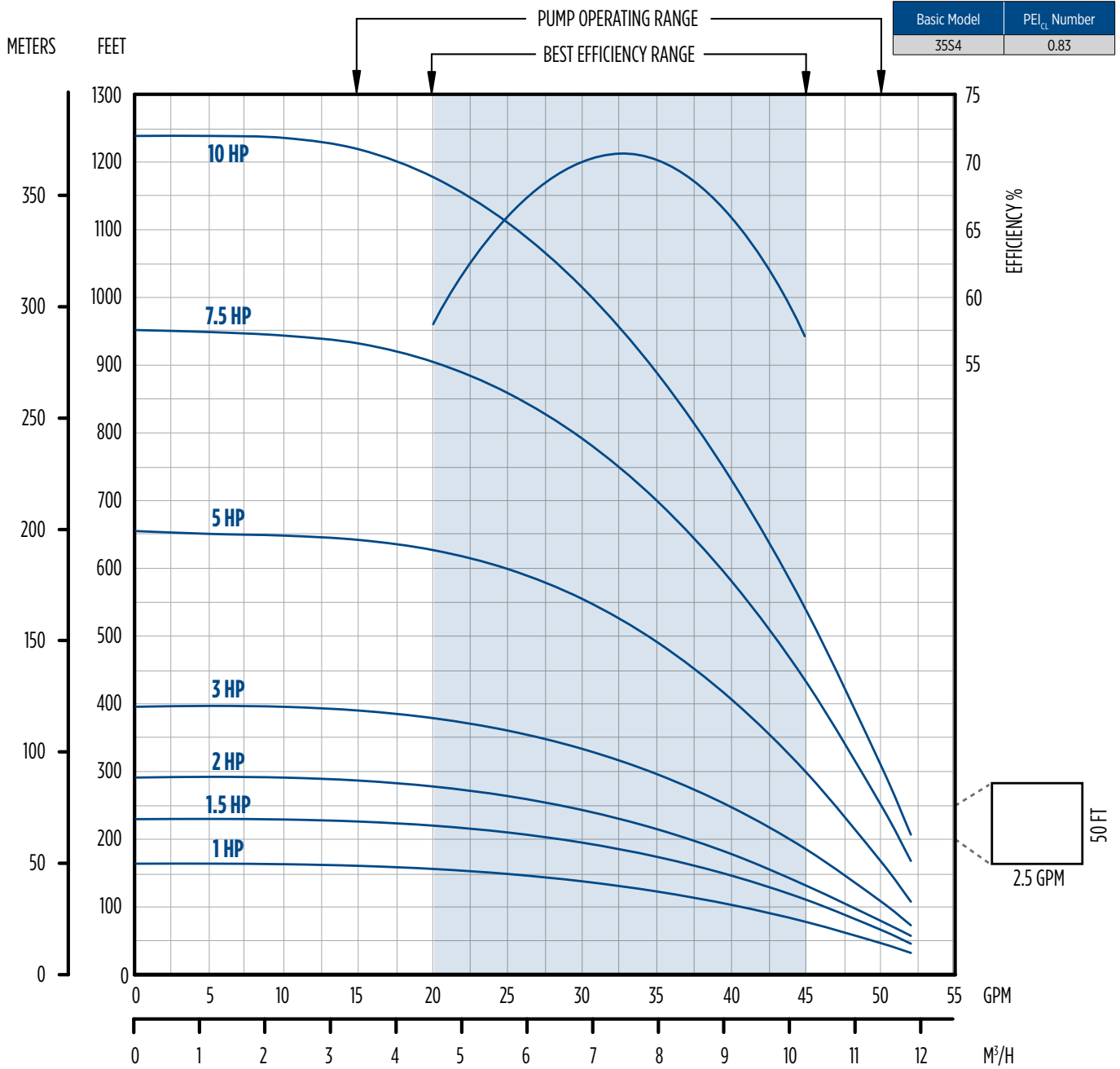
NOTE: Performance shown does not include friction loss in the drop pipe; all performance data is based on rated motor nameplate voltage

# 4" HIGH CAPACITY PUMPS

MENU

35 GPM

## PERFORMANCE DATA



# 4" HIGH CAPACITY PUMPS



60 GPM

## CAPACITIES IN GPM (LPM)

Model	HP	Stage	PSI	Depth to Pumping Water Level (Lift) in Feet (Meters). Shaded Areas Indicate Most Efficient Performance.																Shut-Off (ft)			
				0 (0)	20 (6.1)	40 (12.2)	60 (18.3)	80 (24.4)	100 (30.1)	120 (36.6)	140 (42.7)	160 (48.8)	180 (54.9)	200 (61)	240 (73.2)	280 (85.3)	320 (97.5)	360 (109.8)	400 (121.9)		440 (134.1)	480 (146.3)	
W60G20S07-PE	2	7	0				79	72	64	55	45											206	
			10			78	71	63	54	43													
			20		77	70	62	52	41														
			30	76	69	60	51																
			40	68	59	49																	
			50	57	47																		
Shut-Off PSI			60	45																			
Shut-Off PSI			89	81	72	63	55	46	37	29	15												
W60G30S10-PE	3	10	0				81	76	71	65	58	51	43								300		
			10				82	77	71	66	59	52	44										
			20			80	75	70	64	57	50	42											
			30		79	74	69	63	56	49	40												
			40	79	74	68	62	55	47	39													
			50	73	67	61	54	46	38	29													
			60	66	60	53	45																
			70	59	52	44																	
Shut-Off PSI			80	50	42																		
Shut-Off PSI			130	121	113	104	95	87	78	69	61	52	43										
W60G50S16-PE	5	16	0						82	79	76	73	70	62	54	44					485		
			10						82	79	76	73	70	62	54	44							
			20					81	78	75	72	69	65	61	53	43							
			30				81	78	75	72	68	64	60	56	47								
			40			80	77	74	71	68	64	60	56	51	41								
			50		80	77	74	71	67	63	59	55	50	45									
			60	79	76	73	70	66	63	59	54	50	45	40									
			70	76	73	69	66	62	58	54	49	44	39										
Shut-Off PSI			80	72	69	65	61	57	53	48	43												
Shut-Off PSI			210	201	193	184	175	167	158	149	141	132	123	106	89	71							
W60G75S23-PE	7-1/2	23	0										81	79	75	70	65	60	54	47	40	700	
			10										80	78	76	72	67	62	56	50	43		
			20									80	78	76	74	69	64	59	53	46			
			30								80	78	76	74	71	66	61	55	49	42			
			40							80	78	75	73	71	69	63	58	52	45				
			50				81	79	77	75	73	71	68	66	60	54	48	41					
			60			81	79	77	74	72	70	68	65	63	57	51	44						
			70		81	79	77	74	72	70	67	65	62	59	53	47	40						
			80	80	78	76	74	72	69	67	64	62	59	56	50	43							
Shut-Off PSI			303	294	286	277	268	260	251	242	234	225	216	199	182	165	147	130	113	95			

NOTE: Performance shown does not include friction loss in the drop pipe; all performance data is based on rated motor nameplate voltage

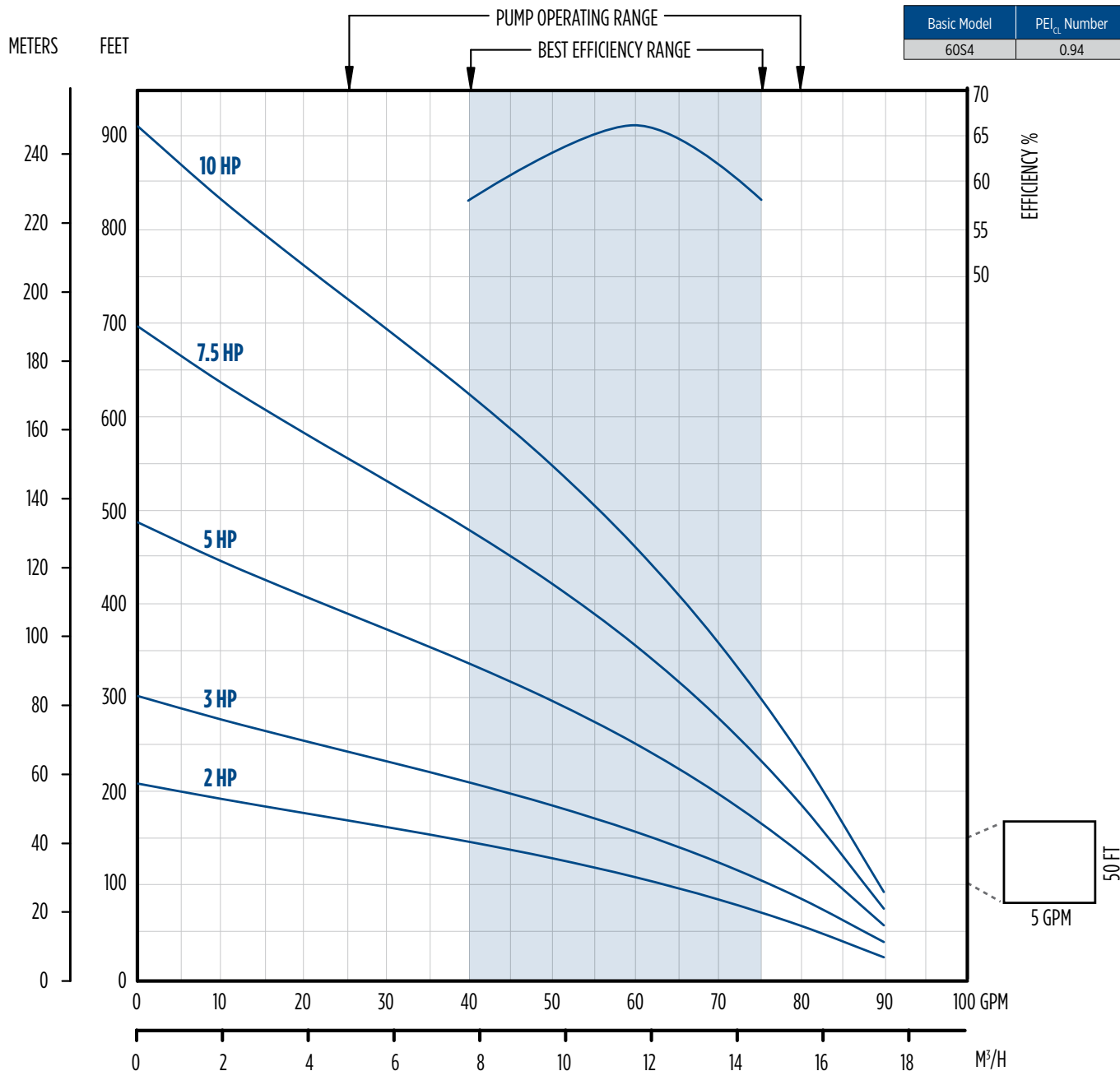
# 4" HIGH CAPACITY PUMPS

MENU

60 GPM

## PERFORMANCE DATA

Basic Model	PEI <sub>CL</sub> Number
60S4	0.94



# 4" HIGH CAPACITY PUMPS



## 90 GPM

### CAPACITIES IN GPM (LPM)

Model	HP	Stage	PSI	Depth to Pumping Water Level (Lift) in Feet (Meters). Shaded Areas Indicate Most Efficient Performance.															Shut-Off ft (m)
				0 (0)	20 (6.1)	40 (12.2)	60 (18.3)	80 (24.4)	100 (30.1)	120 (36.6)	140 (42.7)	160 (48.8)	180 (54.9)	200 (61)	240 (73.2)	280 (85.3)	320 (97.5)	360 (109.8)	
W90G20S06-PE	2	6	0				104	89											170
			10			102	86	67											
			20		100	83	64												
			30	97	80	60													
			40	77															
Shut-Off PSI			74	65	56	48	39												
W90G30S08-PE	3	8	0					103	90	76								220	
			10				101	88	73										
			20		110	99	86	71											
			30	109	97	84	68												
			40	95	81	65													
			50	79	63														
Shut-Off PSI			95	87	78	69	61	52	43										
W90G50S13-PE	5	13	0							106	99	92	84	76				365	
			10						105	98	91	83	74	65					
			20					110	104	97	90	82	73	64					
			30			109	103	96	88	80	72	62							
			40		108	102	95	87	79	70	61								
			50	107	101	94	86	78	69	60									
			60	100	92	85	76	67											
			70	91	83	75	66												
Shut-Off PSI			158	149	141	132	123	115	106	97	89	80	71						
W90G75S19-PE	7-1/2	19	0								111	106	101	91	81	69	535		
			10								110	105	101	96	85	74		62	
			20								109	105	100	95	90	79		68	
			30							108	104	99	94	89	84	73		60	
			40					108	103	98	93	88	83	77	66				
			50				107	102	98	93	87	82	76	71					
			60		111	106	102	97	92	87	81	76	70	64					
			70	110	106	101	96	91	86	80	75	69	63						
Shut-Off PSI			232	223	214	206	197	188	180	171	162	154	145	128	110	93			
W90G10S25-PE	10	25	0									111	106	101	91	81	69	690	
			10									110	105	101	96	85	74		62
			20									109	105	100	95	90	79		68
			30								108	104	99	94	89	84	73		60
			40						108	103	98	93	88	83	77	66			
			50					107	102	98	93	87	82	76	71				
			60			106	102	97	92	87	81	76	70	64					
			70	110	106	101	96	91	86	80	75	69	63						
Shut-Off PSI			299	290	281	273	264	255	247	238	229	221	212	195	177	160			

NOTE: Performance shown does not include friction loss in the drop pipe; all performance data is based on rated motor nameplate voltage

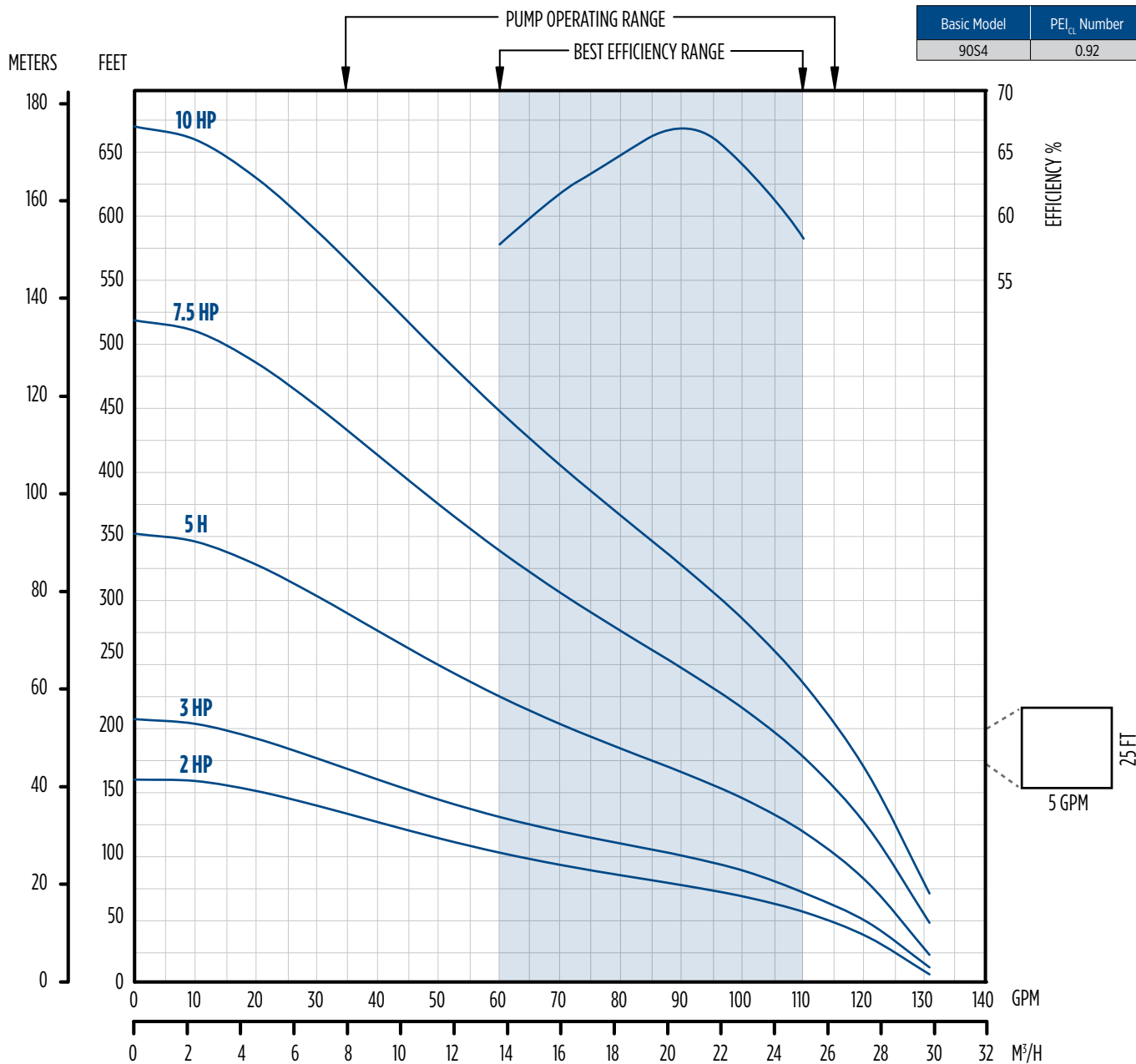
# 4" HIGH CAPACITY PUMPS

MENU

90 GPM

## PERFORMANCE DATA

Basic Model	PEI <sub>CL</sub> Number
90S4	0.92



## QD, STANDARD, & DELUXE

### APPLICATIONS

- Quick Disconnect (QD) & Capacitor Run Control (CRC) - These control boxes are designed for use with Franklin 3-wire single-phase submersible motors through 1 hp.
- Standard and Deluxe - Designed for use with Franklin 3-wire, single-phase submersible motors from 1 through 15 hp, and are recommended for water systems that use pressure switches, level switches, or other pilot devices. Deluxe boxes contain magnetic line contractors carefully matched to the motor rating, eliminating the need for external line connectors.



### FEATURES: ALL

- Suitable for outdoor mounting
- Capacitor start/run design (except QD boxes)
- UL Listed for US and Canada (60 Hz models)

### FEATURES: STANDARD & DELUXE

- Heavy-duty, box-type terminals accept up to AWG #2 wire
- External access to overload resets
- Multiple-size knockouts
- User-friendly connection diagrams
- Easy access to grounding lugs

### SERIES SPECIFICATIONS

Item No.	Model	HP	Volts	Hz	Wire	Weight (lbs)
2801044915	CB-1/2-115-60-Q	1/2	115	60	3	3
2801054915	CB-1/2-230-60-Q	1/2	230	60	3	3
2824055015	CB-1/2-230-60-CRC	1/2	230	60	3	5
2801074915	CB-3/4-230-60-Q	3/4	230	60	3	3
2824075015	CB-3/4-230-60-CRC	3/4	230	60	3	5
2801084915	CB-1-230-60-Q	1	230	60	3	3
2823008310	CB-1-230-60-D	1	230	60	3	7
2824085015	CB-1-230-60-CRC	1	230	60	3	5
2823008110	CB-1.5-230-60-S	1-1/2	230	60	3	7
2823008310	CB-1.5-230-60-D	1-1/2	230	60	3	7
2823018110	CB-2-230-60-S	2	230	60	3	7
2823018310	CB-2-230-60-D	2	230	60	3	7

Quick Disconnect Control Boxes (QD)			
Item No.	HP	Recommended Pump	
		Item No.	Model
2801054915	1/2	558554	W5G05S13-32P
	1/2	558561	W8G05S9-32P
	1/2	558569	W12G05S7-32P
	1/2	558578	W5G05S13-32S
	1/2	558585	W8G05S9-32S
	1/2	558593	W12G05S7-32S
2801074915	3/4	558555	W5G07S18-32P
	3/4	558562	W8G07S12-32P
	3/4	558570	W12G07S9-32P
	3/4	558579	W5G07S18-32S
	3/4	558586	W8G07S12-32S
	3/4	558594	W12G07S9-32S
2801084915	1	558563	W8G10S15-32P
	1	558571	W12G10S12-32P
	1	558574	W22G10S7-32P
	1	558580	W5G10S21-32S
	1	558587	W8G10S15-32S
	1	558595	W12G10S12-32S
	1	558598	W22G10S7-32S

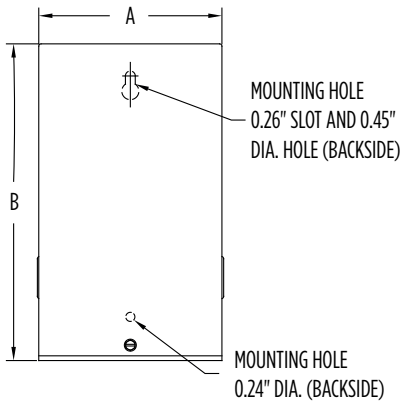
Capacitor Run Control Box (CRC)			
Item No.	HP	Recommended Pump	
		Item No.	Model
2824055015	1/2	558554	W5G05S13-32P
	1/2	558561	W8G05S9-32P
	1/2	558569	W12G05S7-32P
	1/2	558578	W5G05S13-32S
	1/2	558585	W8G05S9-32S
	-	-	-
2824075015	3/4	558555	W5G07S18-32P
	3/4	558562	W8G07S12-32P
	3/4	558570	W12G07S9-32P
	3/4	558579	W5G07S18-32S
	3/4	558586	W8G07S12-32S
	-	-	-
2824085015	1	558556	W5G10S21-32P
	1	558563	W8G10S15-32P
	1	558571	W12G10S12-32P
	1	558574	W22G10S7-32P
	1	558580	W5G10S21-32S
	1	558587	W8G10S15-32S
	1	558595	W12G10S12-32S
	1	558598	W22G10S7-32S

Standard Capacitor Start Capacitor Run Control Box			
Item No.	HP	Recommended Pump	
		Item No.	Model
2823008110	1-1/2	558572	W12G15S17-32P
		558596	W12G15S17-32S
		-	-

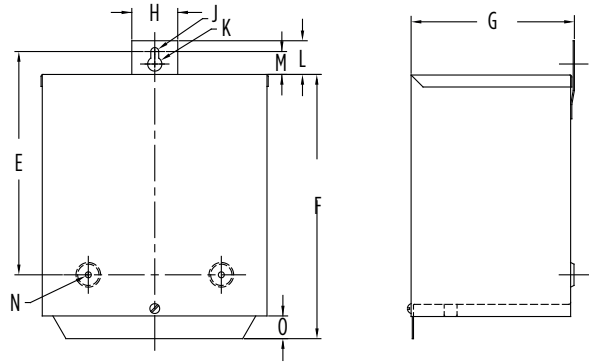
Deluxe Control Box			
Item No.	HP	Recommended Pump	
		Item No.	Model
2823008310	1	-	-

## QD, STANDARD, & DELUXE

### DIMENSIONS

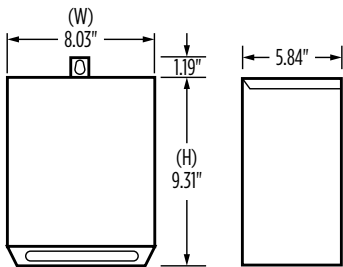


QUICK DISCONNECT AND CAPACITOR RUN CONTROL BOX



STANDARD CAPACITOR CAPACITOR RUN CONTROL BOX

A	B	C	D	E	F	G	H	J	K	L	M	N	O
4.81" (12.2 cm)	8.41" (21.4 cm)	2.84" (7.21 cm)	6.35" (16.1 cm)	7.88" (20.0 cm)	9.31" (23.6 cm)	5.84" (14.8 cm)	1.62" (4.1 cm)	R.14" (R.35 cm)	R.25" (R.63 cm)	1.19" (3.0 cm)	.81" (2.1 cm)	Ø.21 (Ø.53 cm)	.80" (2.0 cm)



DELUXE CONTROL BOX

SIDE



## 4" SUBMERSIBLE MOTORS

### SERIES SPECIFICATIONS

4" 2-Wire Single-Phase							
Item No.	HP	kW	Volts	Hz	SF	Downward Thrust Rating	Weight lbs (kg)
2445029004GS	1/3	0.25	115	60	1.75	300	16 (7.26)
2445039004GS	1/3	0.25	230	60	1.75	300	16 (7.26)
2445059004GS	1/2	0.37	115	60	1.6	300	18 (8.2)
2445049004GS	1/2	0.37	230	60	1.6	300	18 (8.2)
2445079004GS	3/4	0.55	230	60	1.5	300	21 (9.5)
2445089003GS	1	0.75	230	60	1.4	650	24 (10.9)
2443099004GS	1-1/2	1.1	230	60	1.3	650	31 (14.1)

4" 3-Wire Single-Phase							
Item No.	HP	kW	Volts	Hz	SF	Downward Thrust Rating	Weight lbs (kg)
2145029004GS	1/3	0.25	115	60	1.75	300	17 (7.7)
2145039004GS	1/3	0.25	230	60	1.75	300	17 (7.7)
2145049004GS	1/2	0.37	115	60	1.6	300	19 (8.6)
2145059004GS	1/2	0.37	230	60	1.6	300	19 (8.6)
2145079004GS	3/4	0.55	230	60	1.5	300	21 (9.5)
2145089003GS	1	0.75	230	60	1.4	650	24 (10.9)
2243009203GS	1-1/2	1.1	230	60	1.3	650	28 (14.7)
2243019204GS	2	1.5	230	60	1.25	650	33 (15)

4" Three-Phase							
Item No.	HP	kW	Volts	Hz	SF	Downward Thrust Rating	Weight lbs (kg)
2345049203GS	1-1/2	1.1	200	60	1.3	650	29 (13.2)
2345149203GS	1-1/2	1.1	230	60	1.3	650	29 (13.2)
2345249403GS	1-1/2	1.1	460/380	60/50	1.3/1.0	650	28 (14.7)
2343059204GS	2	1.5	200	60	1.25	650	34 (15.4)
2343159204GS	2	1.5	230	60	1.25	650	34 (15.4)
2343259404GS	2	1.5	460/380	60/50	1.25/1.0	650	34 (15.4)
2343162604G	3	2.2	230	60	1.15	900	41 (18.6)
2343262604G	3	2.2	460/380	60/50	1.15/1.0	900	41 (18.6)
2343362604G	3	2.2	575	60	1.15	900	41 (18.6)
2343178602G	5	3.7	230	60	1.15	1500	56 (25.4)
2343278602G	5	3.7	460/380	60/50	1.15/1.0	1500	56 (25.4)
2343378602G	5	3.7	575	60	1.15	1500	56 (25.4)
2343188602G	7-1/2	5.5	230	60	1.15	1500	71 (32.2)
2343288602G	7-1/2	5.5	460/380	60/50	1.15/1.0	1500	71 (32.2)
2343388602G	7-1/2	5.5	575	60	1.15	1500	71 (32.2)



## 4" SUBMERSIBLE MOTORS

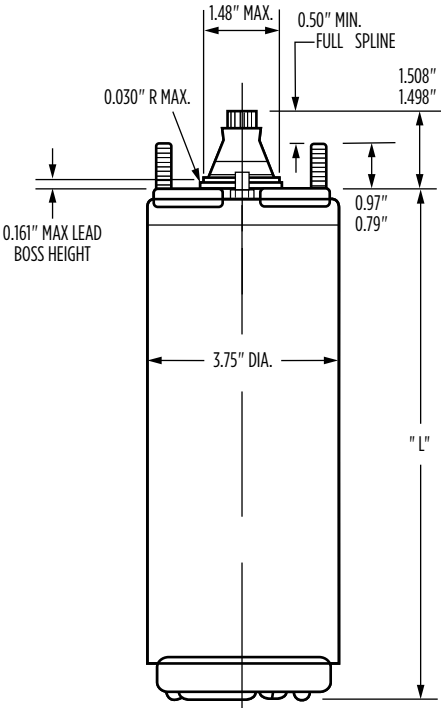
### DIMENSIONS

HP	kW	"L" (in)	Shipping Weight		Motor Carton Size	
			lbs	kg	in	cm
1/3	0.25	8.76	16	7.3	4.25 x 4.375 x 16	10.8 x 11.1 x 40.6
1/2	0.37	9.51	18	8.2	4.25 x 4.375 x 16	10.8 x 11.1 x 40.6
3/4	0.55	10.64	21	9.5	4.25 x 4.375 x 19	10.8 x 11.1 x 48.3
1	0.75	11.73	24	10.9	4.25 x 4.375 x 19	10.8 x 11.1 x 48.3
1-1/2	1.1	15.12	31	14.1	4.25 x 4.375 x 21	10.8 x 11.1 x 53.3

HP	kW	"L" (in)	Shipping Weight		Motor Carton Size	
			lbs	kg	in	cm
1/3	0.25	8.76	17	7.7	4.25 x 4.375 x 16	10.8 x 11.1 x 40.6
1/2	0.37	9.51	19	8.6	4.25 x 4.375 x 16	10.8 x 11.1 x 40.6
3/4	0.55	10.64	21	9.5	4.25 x 4.375 x 19	10.8 x 11.1 x 48.3
1	0.75	11.73	24	10.9	4.25 x 4.375 x 19	10.8 x 11.1 x 48.3
1-1/2	1.1	13.62	28	12.7	4.25 x 4.375 x 21	10.8 x 11.1 x 53.3
2	1.5	15.12	33	15.0	4.25 x 4.375 x 21	10.8 x 11.1 x 53.3
3	2.2	19.04	41	18.6	4.25 x 4.375 x 21	10.8 x 11.1 x 53.3

HP	kW	"L" (in)	Shipping Weight		Motor Carton Size	
			lbs	kg	in	cm
1/2	0.37	9.51	18	8.2	4.25 x 4.375 x 16	10.8 x 11.1 x 40.6
3/4	0.55	10.64	21	9.5	4.25 x 4.375 x 16	10.8 x 11.1 x 40.6
1	0.75	11.73	24	10.9	4.25 x 4.375 x 19	10.8 x 11.1 x 48.3
1-1/2	1.1	11.73	24	10.9	4.25 x 4.375 x 19	10.8 x 11.1 x 48.3
2	1.5	13.62	28	12.7	4.25 x 4.375 x 21	10.8 x 11.1 x 53.3
3	2.2	16.04	35	15.9	4.25 x 4.375 x 21	10.8 x 11.1 x 53.3

HP	kW	"L" (in)	Shipping Weight		Motor Carton Size	
			lbs	kg	in	cm
1-1/2	1.1	18	37	16.8	6.5 x 6.25 x 21.50	16.5 x 15.9 x 54.6
2	1.5	19.12	44	20.0	6.5 x 6.25 x 24.25	16.5 x 15.9 x 61.6
3	2.2	20.2	44	20.0	6.5 x 6.25 x 24.25	16.5 x 15.9 x 61.6
5	3.7	23.2	56	25.4	6.5 x 6.25 x 27.25	16.5 x 15.9 x 69.2
7-1/2	5.5	29.2	71	32.2	6.5 x 6.25 x 33.25	16.5 x 15.9 x 84.5





## GLOSSARY

## TERMS

- **Air Volume Control:** Designed to maintain the air charge in a standard water storage tank. Pre-charged tanks do not require an air volume control.
- **Atmospheric Pressure:** A force exerted upon the earth's surface by the weight of air extending to a height of 25 miles above the earth. At sea level, 14.7 pounds per square inch (psi).
- **Centrifugal Force:** The force created by a spinning or rotating impeller resulting in the movement of water outward from the center point. A pump uses an impeller to create centrifugal force.
- **Check Valve:** Allows water to move in only one direction which prevents water from returning to its source.
- **Convertible Jet Pump:** For deep wells where pumping water levels are as far as 90 feet below the pump. Also easily converted for shallow wells where pumping water levels are no more than 25 feet below the pump. Jet packages must be purchased separately.
- **Cut-in Pressure Setting:** The point at which the pressure switch turns the pump on.
- **Deep Well:** Well with a depth to water greater than 25 feet.
- **Depth to Water:** The vertical measurement from pump level down to water level of water source. Pump height above water.
- **Discharge Pressure:** The amount of force, or pressure of the water being discharged from the pump.
- **Dual Voltage Motor:** Pump motor that can be operated on 115 or 230 Volts.
- **Foot Valve:** Installs on the end of pump suction pipe to prevent water from draining back to source. Includes strainer to minimize suction of debris into pump.
- **GPH:** Gallons per hour.
- **GPM:** Gallons per minute.
- **HP:** Horsepower (power of motor).
- **Jet Pump:** A centrifugal pump which requires a jet to help build additional water pressure.
- **Multi-Stage Jet Pump:** For use on deep wells only, with pumping water levels as far as 210 feet below the pump.
- **PSI:** Pounds per square inch. A volumetric pressure measure.
- **Pre-Charged Tank:** A water storage tank pre-charged with air at the factory featuring a rubber diaphragm to separate water from air which prevents waterlogging. This tank design provides greater drawdown than standard tanks. Pre-charged tanks do not require an air volume control.
- **Pressure:** A force usually expressed in pounds per square inch.
- **Pressure Switch:** The switch that automatically turns the pump on and off at specified pressures 30/50 psi and 40/60 psi. **IMPORTANT:** Always replace an old switch with a new switch that has the same pressure settings.
  - **30/50 Pressure Operation:** Pressure switch turns pump on at 30 psi and off at 50 psi.
  - **40/60 Pressure Operation:** Pressure switch turns pump on at 40 psi and off at 60 psi.
- **Priming the Pump:** The initial filling of a jet or centrifugal pump with water so that the air can be removed.
- **Pump Capacity:** The amount of water a pump is capable of moving at a given pressure.
- **Safety Relief Valve:** Required for all submersible pump and pressure boosting installations to prevent over-pressurization of water storage tank and system piping that could develop from pressure switch malfunction.
- **Shallow Well:** Well with a depth of water of 25 feet or less.
- **Shallow Well Pump:** For use on wells where pumping water levels are no more than 25 feet below the pump. Features a built-in jet.
- **Sizing:** Properly matching product to application for best performance.
- **Standard Tank:** A pressurized water storage tank where air comes in contact with water. Requires air volume control for proper operation.
- **Submersible Pump Control Box:** Installs above ground. Contains electrical starting components for three-wire submersible deep well pumps. Two-wire submersible deep well pumps do not use a control box.
- **Submersible Deep Well Pump:** For use on wells where pump water levels are up to 400 feet below point of use. Pump is submerged under water in the well.
- **Tank Drawdown:** The amount of usable water available from a water storage tank between pump stops and starts.
- **Waterlogging:** The absorption of air into water stored in a water storage tank which greatly reduces the amount of usable water drawdown available from the tank.
- **Water Storage Tank:** Stores air and water under pressure to provide for automatic pump operation and a source of water when pump is not running.











