

PRODUCT INFORMATION PACKET

marathon[®]
Motors

Model No: 324TSTDCD4007
Catalog No: U513A
50,3600,DP,324TS,3/60/190/380-400YD
Fire Pump



Regal and Marathon are trademarks of Regal Beloit Corporation or one of its affiliated companies.
©2018 Regal Beloit Corporation, All Rights Reserved. MC017097E

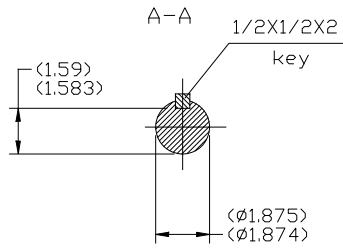
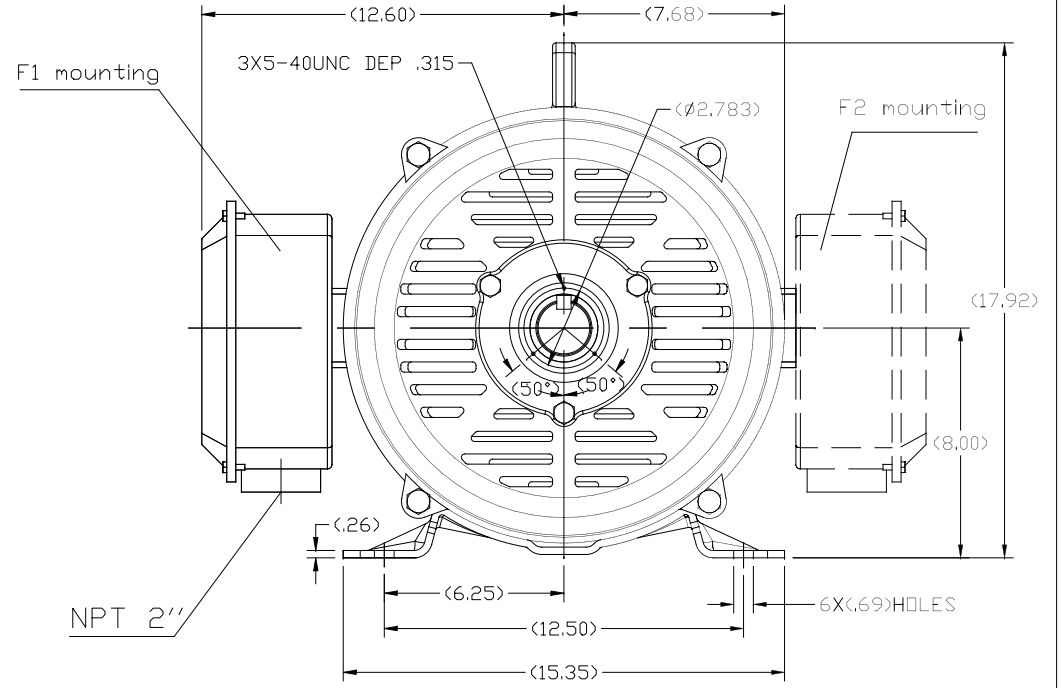
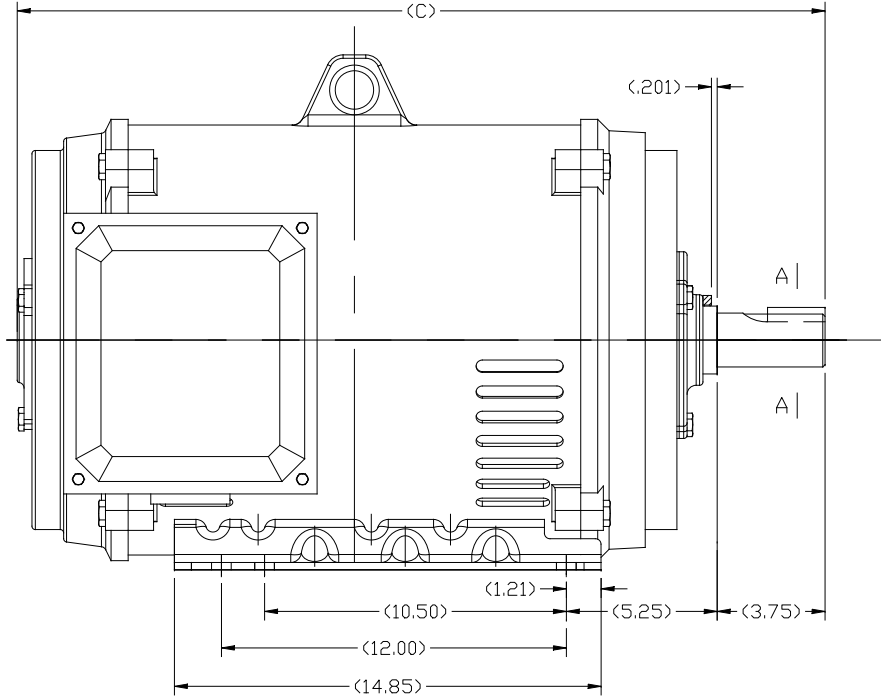
REGAL[®]

Nameplate Specifications

Output HP	50 Hp	Output KW	37.0 kW
Frequency	60 Hz	Voltage	190/380-400 V
Current	138.0/69.0-67.0 A	Speed	3565 rpm
Service Factor	1.15	Phase	3
Efficiency	92.4 %	Duty	Continuous
Insulation Class	F	Design Code	B
KVA Code	F	Frame	324TS
Enclosure	Drip Proof	Overload Protector	No
Ambient Temperature	50 °C	Drive End Bearing Size	6212
Opp Drive End Bearing Size	6212	UL	No
CSA	Y	CE	Y
IP Code	23		

Technical Specifications

Electrical Type	Squirrel Cage Induction Run	Starting Method	Part Wdg Start & Wye Start Delta Run
Poles	2	Rotation	Reversible
Mounting	Rigid base	Motor Orientation	HORIZONTAL
Drive End Bearing	BALL	Opp Drive End Bearing	BALL
Frame Material	Cast Iron	Shaft Type	TS
Overall Length	27.05 in	Frame Length	9.50 in
Shaft Diameter	1.875 in	Shaft Extension	3.75 in
Assembly/Box Mounting	F1/F2 CAPABLE		
Outline Drawing	SS620744-324TS	Connection Diagram	EE7308AA



324TS	27.05
326TS	28.23
FRAME	C

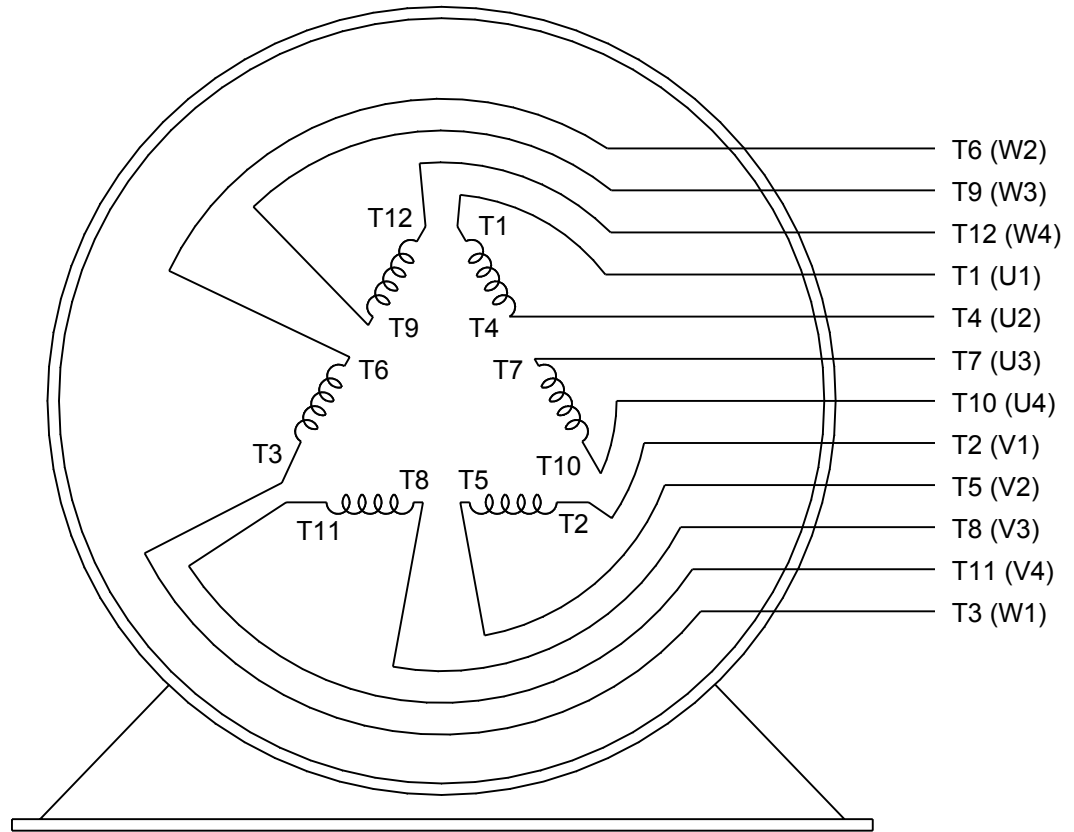
TOLERANCES UNLESS SPECIFIED		REGAL REGAL-BELOIT CORPORATION		DRAWN
DEC.	INCHES			Xiaowei Zhu
.X	±.1			CHK
.XX	±.03	TITLE	OUTLINE	APPD
.XXX	±.005		324/326TS ODP-ROLLED STEEL	SCALE 1:1
.XXXX	±.0005	MAT'L.		REF
		FINISH		FMF REGAL-WUXI
NO.	REVISION	BY & DATE		PREV
THIS DRAWING IN DESIGN AND DETAIL IS OUR PROPERTY AND MUST NOT BE USED EXCEPT IN CONNECTION WITH OUR WORK ALL RIGHTS OF DESIGN AND INVENTION ARE RESERVED THIS IS AN ELECTRONICALLY GENERATED DOCUMENT - DO NOT SCALE THIS PRINT				
		RFP	CAD FILE SS620744	SIZE B
		DIST		DRAWING NO. SS620744
				REV.



LOW VOLTAGE



HIGH VOLTAGE



VIEW OF TERMINAL END

DRAWING REVISION K	REVISION BY AJW	DATE 07-17-2015
ECO ECO-0081632	APPROVED BY T. VUE	DATE 07-17-2015
ECO DESCRIPTION REV'D IEC MARKINGS PER IEC 60034-8		
COPYRIGHT REGAL BELOIT AMERICA, INC. ALL RIGHTS RESERVED. PROPRIETARY AND CONFIDENTIAL INFORMATION - THIS DOCUMENT IS THE PROPERTY OF REGAL BELOIT AMERICA, INC. ("OWNER") AND CONTAINS OWNER'S PROPRIETARY INFORMATION. ANY PERSON, CORPORATION OR OTHER FIRM RECEIVING IT IS DEEMED, BY RECEIVING IT, TO AGREE THAT IT, AND/OR ANY PART OF IT, SHALL NOT BE DISCLOSED TO ANY PERSON, CORPORATION OR OTHER ENTITY, DUPLICATED, AND/OR USED, EXCEPT AS EXPRESSLY APPROVED IN WRITING IN ADVANCE BY OWNER. THIS DOCUMENT SHALL BE RETURNED TO OWNER UPON REQUEST. IT MAY BE SUBJECT TO CERTAIN RESTRICTIONS UNDER APPLICABLE EXPORT CONTROL LAWS AND REGULATIONS.		



DRAWN BY LZ	Regal Beloit America, Inc.	
DATE 01-12-1994		
APPROVED BY GK	DESCRIPTION CONN DIAGRAM-EXTERNAL 3Ø-2/1 DELTA-12 LEADS	
DATE 01-14-1994		
REFERENCE	MATERIAL	PROCESS/FINISH
THIRD ANGLE PROJECTION	SIZE A	DRAWING NUMBER EE7308AA
		SHEET 1 OF 1



P.O. BOX 8003
WAUSAU, WI 54401-8003
PH. 715-675-3311

DATA VOLTS: 460

CERTIFICATION DATA SHEET

CUSTOMER P.O. #:
 ORDER #: EE7308AA
 REFERENCE MODEL #: 324TSTDCC4007
 CONN. DIAGRAM: SS620744
 CAT #: U513A
 OUTLINE: IE3L2002110 NONE 3
 CUSTOMER PART #:
 WINDING: IE3L2002110 NONE 3
 MOUNTING: F1/F2 CAPABLE
 SPEED:
 TYPICAL MOTOR PERFORMANCE DATA

HP	KW	SYNC RPM	FL RPM	FRAME	ENCLOSURE	TYPE	KVA CODE	DESIGN
50	37	3600	3565	324TS	DP	TDC	F	B

PH	HZ	VOLTS	AMPS	START TYPE	DUTY	INSL	S.F.	AMB	ELEV.
3	60	190/380-400	138/69-67	WS(LV ONLV) & YDRU	CONT	F	1.15	50	3300
	F.L. EFF	92.4	3/4 LD EFF	92.4	1/2 LD EFF	91.7	GTD EFF	ELECT. TYPE	
	F.L. PF	88.0	3/4 LD PF	86.0	1/2 LD PF	81.0	91.0	SQ CAGE IND RUN	

F.L. TORQUE	LR AMPS @ 460 V	L.R. TORQUE	B.D. TORQUE	F.L. RISE (°C)
73.5 LB-FT	380	110 LB-FT	170 LB-FT	231%
@ 3 FT.	POWER	ROTOR WK ²	MAX. LOAD WK ²	SAFE STALL TIME
999 DBA	1008 DBA	0.00 LB-FT ²	250 LB-FT ²	20 SEC.
				START/SHOUR
				2
				MOTOR WGT
				0 LB.

*** SUPPLEMENTAL INFORMATION ***

DE BRACKET TYPE	ODE BRACKET TYPE	MOUNT TYPE	MOTOR ORIENTATION	SEVERE DUTY	HAZARDOUS LOCATION	DRIP COVER	SCREENS	PAINT
STANDARD	STANDARD	RIGID	HORIZONTAL	NO	NONE	NO	NONE	RED (ENAMEL)
BEARINGS		GREASE	SHAFT TYPE	SPECIAL DE	SPECIAL ODE	SHAFT	MATERIAL	FRAME MATERIAL
DE BALL 6212	ODE BALL 6212	POLYREX EM	TS	NONE	NONE	1045 HOT ROLLED (C-204)		CAST IRON

THERMOSTATS	PROTECTORS	WDG RTD's	BRG RTD's	THERMISTORS	CONTROL	SPACE HEATERS
NONE	NOT	NONE	NONE	NONE	FALSE	NA
R1 (ohms/ph)	R2 (ohms/ph)	X1 (ohms/ph)	X2 (ohms/ph)	Xm (ohms/ph)	VIBRATION (in/sec)	FLOAT
0.079	0.003	0.339	0.403	12.858	0.150	ODE

* N		INVERTER TORQUE: NONE	
O		INV. HP SPEED RANGE: NONE	
T		ENCODER: NONE	
E		NONE	
S		BRAKE: NONE	
		NONE	
		FT-LB: NA	
		VOLTAGE: NONE	
		NONE	
		HZ:	

PREPARED BY: FAREEDA DUDEKULA
 DATE: 8/27/2018
 FORM: 3531 REV 4 2/27/06
 UL: NONE

Data Sheet

Date: 8/27/2018

Customer: _____
 Attention: _____

Submitted by: FAREEDA DUDEKULA

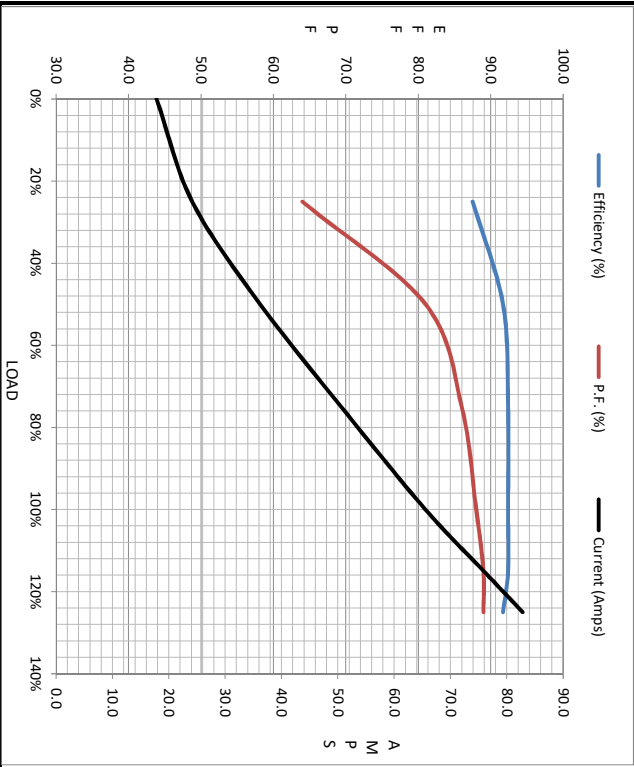


3241STDCD4007

Submital Data @ 400 V

Load	Motor Load Data									
	0%	25%	50%	75%	100%	115%	125%	LR		
Current (Amps)	17.8	24.2	36.2	50.6	65.6	75.9	82.8	380		
Torque (ft-lb)	0.00	18.5	36.5	55.0	73.5	85.0	92.5	110		
RPM	3600	3592	3585	3575	3565	3,560	3555	0		
Efficiency (%)		87.5	91.7	92.4	92.4	92.4	91.7			
P.F. (%)	8.0	64.0	81.0	86.0	88.0	89.0	89.0	33.0		

	Motor Speed Data					Information Block																			
	LR	Pull-Up	BD	Rated	Idle	HP	Frame	Enclosure	Construction	Voltage	Frequency	Design	LR Code letter	Service Factor	Temp Rise @ FL	Duty	Ambient	P Elevation	Motor/Shaft wk ²	Ret Wdg	Sound Pressure @ 1M	VFD Rating	Outline Dwg	Com. Diag	Additional Specifications:
Speed (RPM)	0	1800	3450	3665	3600	50.0	3241B2TFC6080	DP	TDC	190/380-400	60	B	F	1.15	45	CONT	40	1,000	0.00	IE3L2002110	999	NONE	SS620744	EE7308AA	
Current (Amps)	380	345	213	65.6	17.8																				
Torque (ft-lb)	110	90.0	170	73.5	0.00																				



EQVIV CKT (OHMS / PHASE)	R1	R2	X1	X2	Xm
	0.0790	0.0030	0.3390	0.4030	128580

