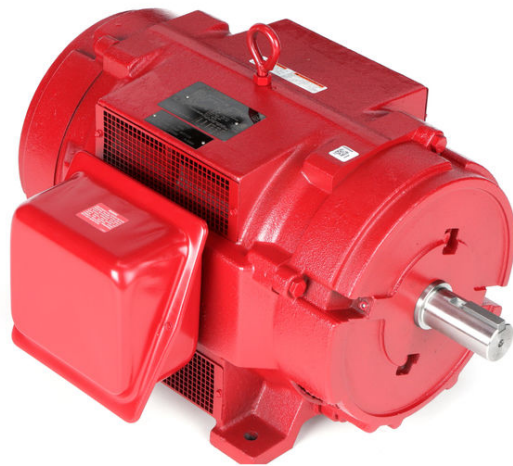


PRODUCT INFORMATION PACKET

marathon[®]
Motors

Model No: 326TSTD4022
Catalog No: U517A
60,3600,DP,326TS,3/60/190/380-400YD
Fire Pump



Regal and Marathon are trademarks of Regal Beloit Corporation or one of its affiliated companies.
©2018 Regal Beloit Corporation, All Rights Reserved. MC017097E

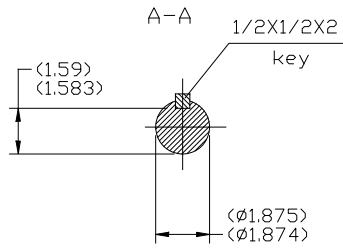
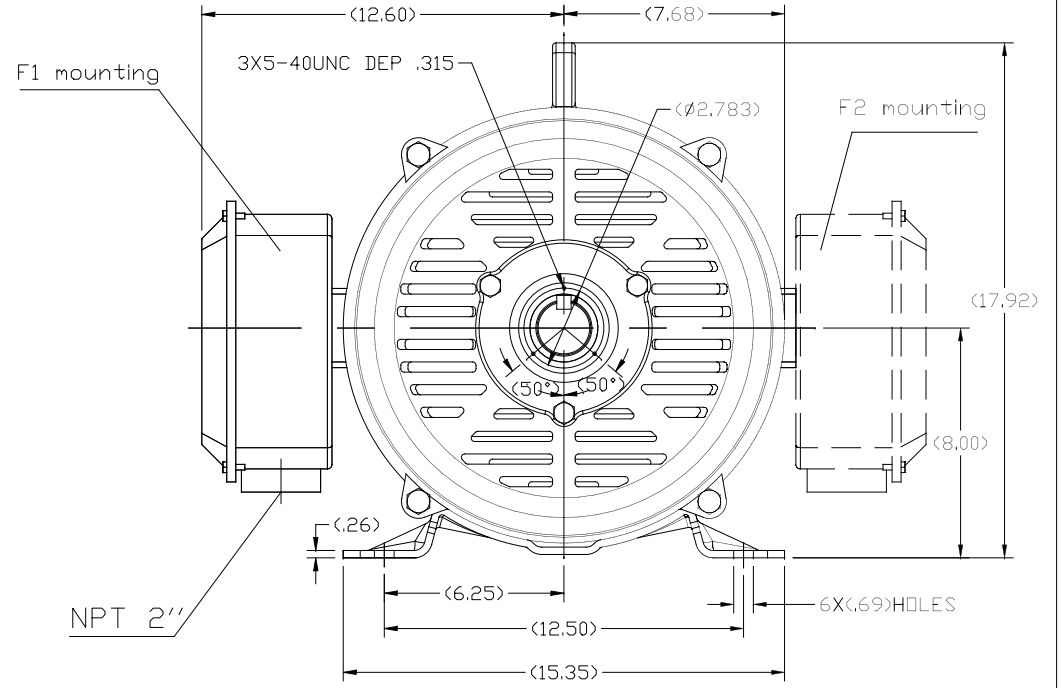
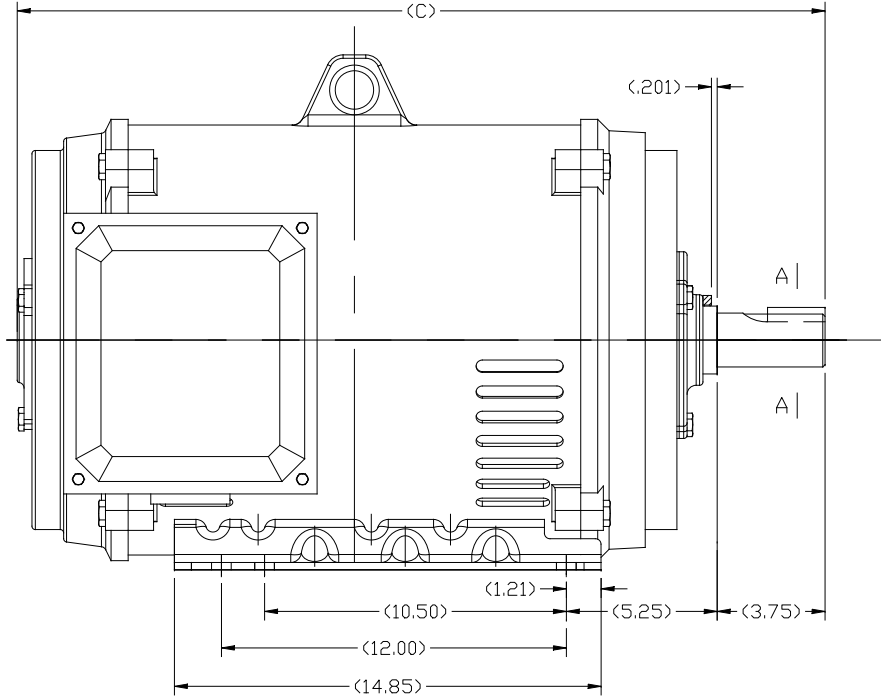
REGAL[®]

Nameplate Specifications

Output HP	60 Hp	Output KW	45.0 kW
Frequency	60 Hz	Voltage	190/380-400 V
Current	165.0/82.5-77.5 A	Speed	3565 rpm
Service Factor	1.15	Phase	3
Efficiency	93 %	Duty	Continuous
Insulation Class	F	Design Code	B
KVA Code	F	Frame	326TS
Enclosure	Drip Proof	Overload Protector	No
Ambient Temperature	50 °C	Drive End Bearing Size	6212
Opp Drive End Bearing Size	6212	UL	No
CSA	Y	CE	Y
IP Code	23		

Technical Specifications

Electrical Type	Squirrel Cage Induction Run	Starting Method	Part Wdg Start & Wye Start Delta Run
Poles	2	Rotation	Reversible
Mounting	Rigid base	Motor Orientation	HORIZONTAL
Drive End Bearing	BALL	Opp Drive End Bearing	BALL
Frame Material	Cast Iron	Shaft Type	TS
Overall Length	28.23 in	Frame Length	15.74 in
Shaft Diameter	1.875 in	Shaft Extension	3.75 in
Assembly/Box Mounting	F1/F2 CAPABLE		
Outline Drawing	SS620744-326TS	Connection Diagram	EE7308AA



324TS	27.05
326TS	28.23
FRAME	C

TOLERANCES UNLESS SPECIFIED		REGAL REGAL-BELOIT CORPORATION		DRAWN
DEC.	INCHES			CHK
.X	±.1			APPD
.XX	±.03	TITLE		SCALE
.XXX	±.005	324/326TS ODP-ROLLED STEEL		REF
.XXXX	±.0005	MAT'L.		FMF
ANG	±1/2°	FINISH		PREV
NO.	REVISION	BY & DATE	CHK	ANG
THIS DRAWING IN DESIGN AND DETAIL IS OUR PROPERTY AND MUST NOT BE USED EXCEPT IN CONNECTION WITH OUR WORK ALL RIGHTS OF DESIGN AND INVENTION ARE RESERVED THIS IS AN ELECTRONICALLY GENERATED DOCUMENT - DO NOT SCALE THIS PRINT				
RFP	CAD FILE	SS620744	SIZE	DRAWING NO.
DIST			B	SS620744
				REV.



LOW VOLTAGE



HIGH VOLTAGE



DRAWING REVISION K	REVISION BY AJW	DATE 07-17-2015
ECO ECO-0081632	APPROVED BY T. VUE	DATE 07-17-2015
ECO DESCRIPTION REV'D IEC MARKINGS PER IEC 60034-8		
<small>COPYRIGHT REGAL BELOIT AMERICA, INC. ALL RIGHTS RESERVED. PROPRIETARY AND CONFIDENTIAL INFORMATION - THIS DOCUMENT IS THE PROPERTY OF REGAL BELOIT AMERICA, INC. ("OWNER") AND CONTAINS OWNER'S PROPRIETARY INFORMATION. ANY PERSON, CORPORATION OR OTHER FIRM RECEIVING IT IS DEEMED, BY RECEIVING IT, TO AGREE THAT IT, AND/OR ANY PART OF IT, SHALL NOT BE DISCLOSED TO ANY PERSON, CORPORATION OR OTHER ENTITY, DUPLICATED, AND/OR USED, EXCEPT AS EXPRESSLY APPROVED IN WRITING IN ADVANCE BY OWNER. THIS DOCUMENT SHALL BE RETURNED TO OWNER UPON REQUEST. IT MAY BE SUBJECT TO CERTAIN RESTRICTIONS UNDER APPLICABLE EXPORT CONTROL LAWS AND REGULATIONS.</small>		



DRAWN BY LZ	Regal Beloit America, Inc.	
DATE 01-12-1994		
APPROVED BY GK	DESCRIPTION CONN DIAGRAM-EXTERNAL 3Ø-2/1 DELTA-12 LEADS	
DATE 01-14-1994		
REFERENCE	MATERIAL	PROCESS/FINISH
THIRD ANGLE PROJECTION	SIZE A	DRAWING NUMBER EE7308AA
		SHEET 1 OF 1



P.O. BOX 8003
WAUSAU, WI 54401-8003
PH. 715-675-3311

DATA VOLTS: 460

CERTIFICATION DATA SHEET

CUSTOMER P.O. #:
 ORDER #: EE7308AA
 REFERENCE MODEL #: 326TSTDCC4022
 CONN. DIAGRAM: SS620744
 CAT #: U517A
 OUTLINE: IE3L2002111 NONE 3
 CUSTOMER PART #:
 WINDING: IE3L2002111 NONE 3
 MOUNTING: F1/F2 CAPABLE
 SPEED:
 TYPICAL MOTOR PERFORMANCE DATA

HP	KW	SYNC RPM	FL RPM	FRAME	ENCLOSURE	TYPE	KVA CODE	DESIGN
60	45	3600	3565	326TS	DP	TDC	F	B

PH	HZ	VOLTS	AMPS	START TYPE	DUTY	INSL	S.F.	AMB	ELEV.
3	60	190/380	165/82.5	WS(LV ONLY) & YDRU	CONT	F	1.15	50	3300
	F.L. EFF	93.0	3/4 LD EFF	93.0	1/2 LD EFF	92.4	GTD EFF	ELECT. TYPE	
	F.L. PF	89.0	3/4 LD PF	88.0	1/2 LD PF	83.0	91.7	SQ CAGE IND RUN	

F.L. TORQUE	LR AMPS @ 460 V	L.R. TORQUE	B.D. TORQUE	F.L. RISE (°C)
88.5 LB-FT	466	132 LB-FT	149%	190 LB-FT
@ 3 FT.	POWER	ROTOR WK ²	MAX. LOAD WK ²	SAFE STALL TIME
999 DBA	1008 DBA	0.00 LB-FT ²	250 LB-FT ²	20 SEC.
				START/SHOUR
				2
				MOTOR WGT
				0 LB.

*** SUPPLEMENTAL INFORMATION ***

DE BRACKET TYPE	ODE BRACKET TYPE	MOUNT TYPE	MOTOR ORIENTATION	SEVERE DUTY	HAZARDOUS LOCATION	DRIP COVER	SCREENS	PAINT
STANDARD	STANDARD	RIGID	HORIZONTAL	NO	NONE	NO	NONE	RED (ENAMEL)
BEARINGS		GREASE	SHAFT TYPE	SPECIAL DE	SPECIAL ODE	SHAFT	MATERIAL	FRAME MATERIAL
DE BALL 6212	ODE BALL 6212	POLYREX EM	TS	NONE	NONE	1045 HOT ROLLED (C-204)		CAST IRON

THERMOSTATS	PROTECTORS	WDG RTD's	BRG RTD's	THERMISTORS	CONTROL	SPACE HEATERS
NONE	NOT	NONE	NONE	NONE	FALSE	NA
R1 (ohms/ph)	R2 (ohms/ph)	X1 (ohms/ph)	X2 (ohms/ph)	Xm (ohms/ph)	VIBRATION (in/sec)	FLOAT
0.056	0.027	0.255	0.339	10.981	0.150	ODE

* N O T E S *		INVERTER TORQUE:	NONE
		INV. HP SPEED RANGE:	NONE
		ENCODER:	NONE
		BRAKE:	NONE
		FT-LB:	NA
		VOLTAGE:	NONE
		UL:	NONE
		HZ:	

PREPARED BY: FAREEDA DUDEKULA
 DATE: 8/29/2018
 FORM: 3531 REV 4 2/27/06

Data Sheet

Date: 8/29/2018

326T STD/CD4022

Customer:
 Attention:
 Submitted by: FAREEDA DUDEKULA



Submital
 Data @ 380 V

Motor Load Data

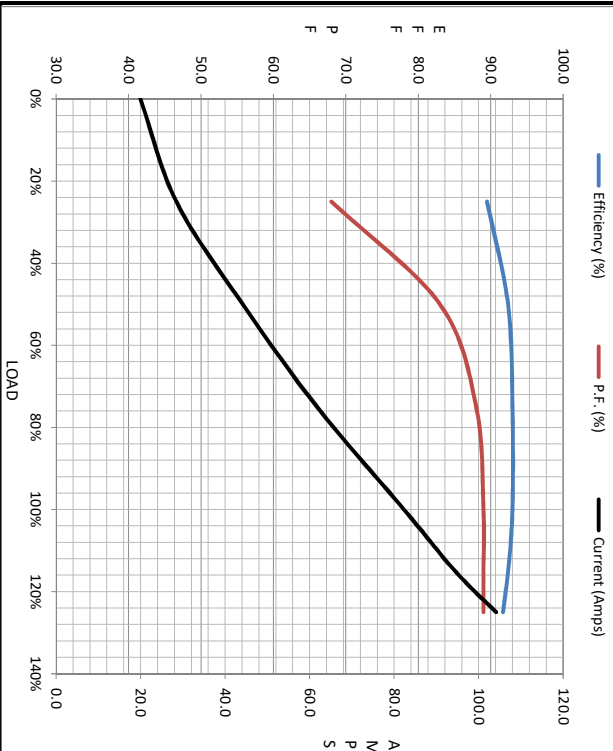
Load	0%	25%	50%	75%	100%	115%	125%	LR
Current (Amps)	20.0	28.5	44.2	61.7	82.3	94.4	104	466
Torque (ft-lb)	0.00	22.0	44.0	66.0	88.5	102	111	132
RPM	3600	3590	3582	3575	3565	3558	3552	0
Efficiency (%)		89.5	92.4	93.0	93.0	92.4	91.7	
P.F. (%)	8.5	68.0	83.0	88.0	89.0	89.0	89.0	33.0

Motor Speed Data

	LR	Pull-Up	BD	Rated	Idle
Speed (RPM)	0	1800	3450	3665	3600
Current (Amps)	466	393	272	82.3	20.0
Torque (ft-lb)	132	90.0	190	88.5	0.00

Information Block

HP	60.0			
Sync. RPM	3600			
Frame	326182TFC6080			
Enclosure	DP			
Construction	TDC			
Voltage	190/380 V			
Frequency	60 Hz			
Design	B			
LR Code letter	F			
Service Factor	1.15			
Temp Rise @ FL	45 °C			
Duty	CONT			
Ambient	40 °C			
Elevation	1,000 feet			
Motor/Shaft wk ²	0.00 Lb-Ft ²			
Ret Wdg	IE3L2002111 NONE			
Sound Pressure @ 1M	999 dBA			
VFD Rating	NONE			
Outline Dwg	SS620744			
Conn. Diag	EE7308AA			
Additional Specifications:				
0				
0				
R1	R2	X1	X2	Xm
0.0560	0.0270	0.2850	0.3390	10.9810



Speed - Torque Curve

