

PRODUCT INFORMATION PACKET

Model No: 326TTFCD6030
Catalog No: GT1137A
50,1800,TEFC,326T,3/60/575
Totally Enclosed Fan Cooled (TEFC)



Regal and Marathon are trademarks of Regal Beloit Corporation or one of its affiliated companies.
©2018 Regal Beloit Corporation, All Rights Reserved. MC017097E





Nameplate Specifications

Output HP	50 Hp	Output KW	37.0 kW
Frequency	60 Hz	Voltage	575 V
Current	47.0 A	Speed	1782 rpm
Service Factor	1.15	Phase	3
Efficiency	94.5 %	Duty	Continuous
Insulation Class	F	Design Code	B
KVA Code	G	Frame	326T
Enclosure	Totally Enclosed Fan Cooled	Overload Protector	No
Ambient Temperature	40 °C	Drive End Bearing Size	6312
Opp Drive End Bearing Size	6212	UL	Listed
CSA	Y	CE	Y
IP Code	55		

Technical Specifications

Electrical Type	Squirrel Cage Inverter Rated	Starting Method	Line Or Inverter
Poles	4	Rotation	Reversible
Mounting	Rigid base	Motor Orientation	Horizontal
Drive End Bearing	Ball	Opp Drive End Bearing	Ball
Frame Material	Cast Iron	Shaft Type	T
Overall Length	31.19 in	Shaft Diameter	2.125 in
Shaft Extension	5.25 in	Assembly/Box Mounting	F1/F2 Capable
Outline Drawing	SS312782-326T	Connection Diagram	EE7300

This is an uncontrolled document once printed or downloaded and is subject to change without notice. Date Created: 06/29/2018

4

3

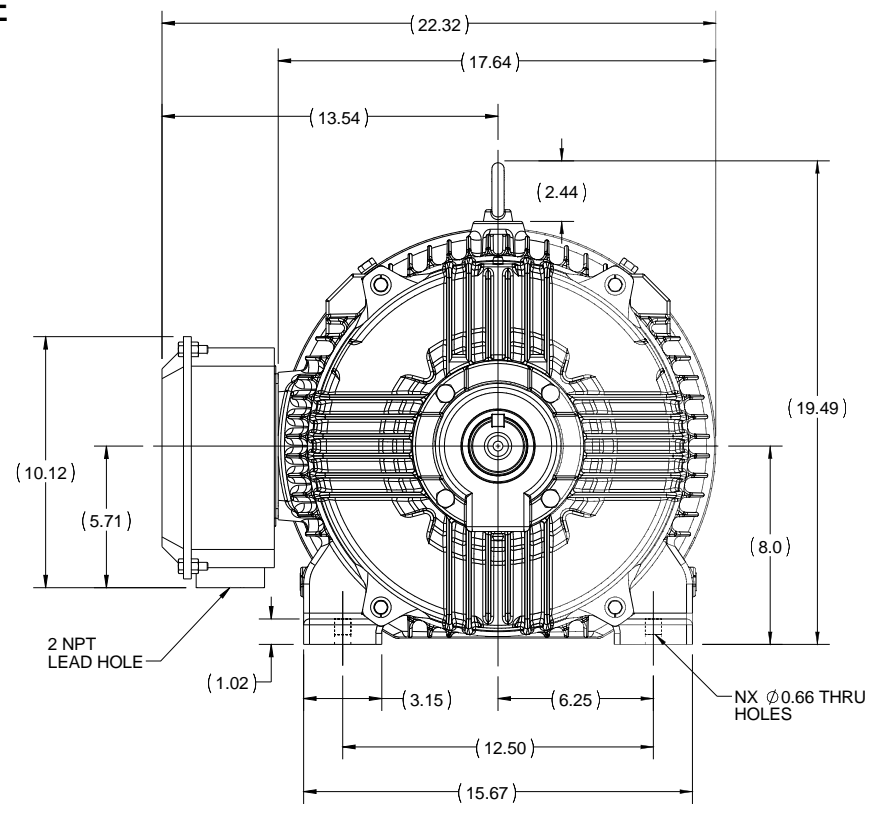
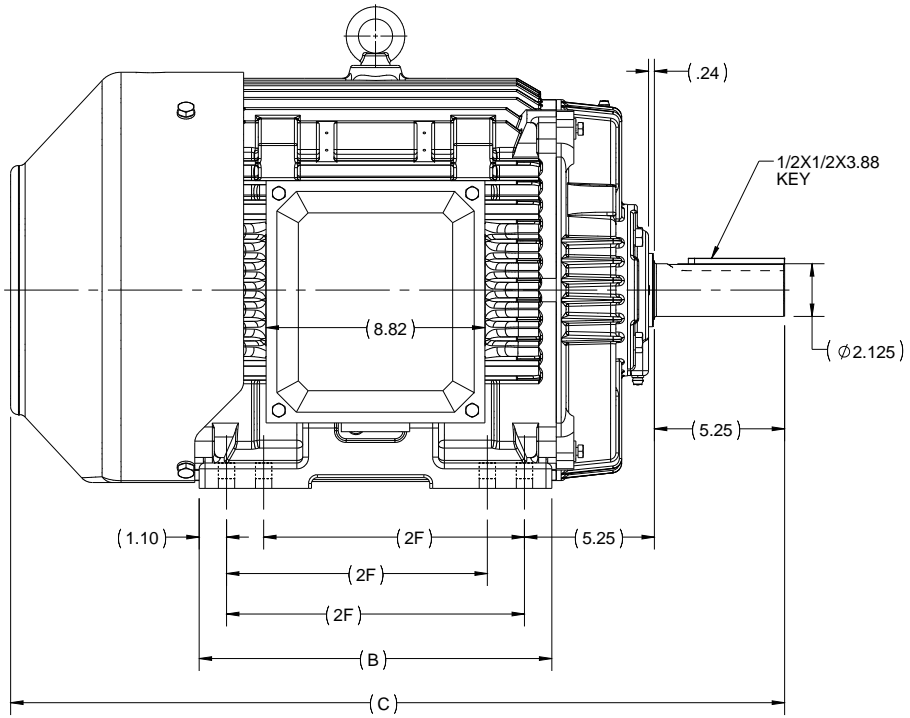
2

1

OUTLINE

B

B

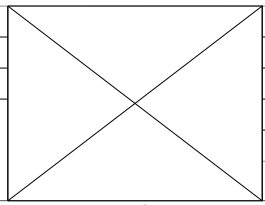



A

A

326T	14.21	31.19	12.0	8
324T	12.71	29.69	10.5	4
FRAME	B	C	2F	N

DRAWING REVISION A	REVISION BY UDAY	DATE 4/7/2016
ECO ECO-0105009	APPROVED BY RAJESH	DATE 4/7/2016
ECO DESCRIPTION NEW OUTLINE RELEASE		
<small>COPYRIGHT REGAL BELOIT AMERICA, INC. ALL RIGHTS RESERVED. PROPRIETARY AND CONFIDENTIAL INFORMATION - THIS DOCUMENT IS THE PROPERTY OF REGAL BELOIT AMERICA, INC. ("OWNER") AND CONTAINS OWNER'S PROPRIETARY INFORMATION. ANY PERSON, CORPORATION OR OTHER FIRM RECEIVING IT IS DEEMED, BY RECEIVING IT, TO AGREE THAT IT, AND/OR ANY PART OF IT, SHALL NOT BE DISCLOSED TO ANY PERSON, CORPORATION OR OTHER ENTITY, DUPLICATED, AND/OR USED, EXCEPT AS EXPRESSLY APPROVED IN WRITING IN ADVANCE BY OWNER. THIS DOCUMENT SHALL BE RETURNED TO OWNER UPON REQUEST. IT MAY BE SUBJECT TO CERTAIN RESTRICTIONS UNDER APPLICABLE EXPORT CONTROL LAWS AND REGULATIONS.</small>		



DRAWN BY NIV	 Regal Beloit America, Inc.
DATE 25/03/2016	
APPROVED BY SBD	DESCRIPTION OUTLINE 320T FR-TEFC
DATE 25/03/2016	MATERIAL
REFERENCE	PROCESS/FINISH
THIRD ANGLE PROJECTION	SIZE B
	DRAWING NUMBER SS312782
	SHEET 1 OF 1

4

3

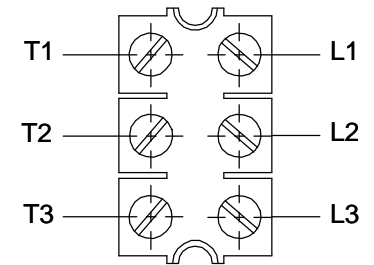
2

1

**THREE PHASE - SINGLE VOLTAGE
MOTOR - CONDUIT BOX @ 'A'**

**TO REVERSE ROTATION:
INTERCHANGE ANY TWO
LINE LEAD CONNECTIONS.**

TERMINAL BLOCK WHEN SPECIFIED



VIEW OF TERMINAL END

**IF MOTOR HAS
6 LEADS**



A-9806 DECAL

**OPTIONAL CORD
CONNECTION**

- L1 WHITE
- L2 RED
- L3 BLACK

DRAWING REVISION AB	REVISION BY JJB	DATE 06-27-2017
ECO ECO-0125361	APPROVED BY TB	DATE 06-27-2017
ECO DESCRIPTION UPDATED TO CURRENT STANDARDS		
<small>COPYRIGHT REGAL BELOIT AMERICA, INC. ALL RIGHTS RESERVED. PROPRIETARY AND CONFIDENTIAL INFORMATION - THIS DOCUMENT IS THE PROPERTY OF REGAL BELOIT AMERICA, INC. ("OWNER") AND CONTAINS OWNER'S PROPRIETARY INFORMATION. ANY PERSON, CORPORATION OR OTHER FIRM RECEIVING IT IS DEEMED, BY RECEIVING IT, TO AGREE THAT IT, AND/OR ANY PART OF IT, SHALL NOT BE DISCLOSED TO ANY PERSON, CORPORATION OR OTHER ENTITY, DUPLICATED, AND/OR USED, EXCEPT AS EXPRESSLY APPROVED IN WRITING IN ADVANCE BY OWNER. THIS DOCUMENT SHALL BE RETURNED TO OWNER UPON REQUEST. IT MAY BE SUBJECT TO CERTAIN RESTRICTIONS UNDER APPLICABLE EXPORT CONTROL LAWS AND REGULATIONS.</small>		



DRAWN BY DA	 Regal Beloit America, Inc.
DATE 03-26-1993	
APPROVED BY TB	DESCRIPTION CONNECTION DIAGRAM
DATE 03-26-1993	EXTERNAL - SINGLE VOLTAGE - 3Ø MOTOR
REFERENCE	MATERIAL
PROCESS/FINISH	
THIRD ANGLE PROJECTION	SIZE A
	DRAWING NUMBER EE7300
	SHEET 1 OF 1

Data Sheet

Date: 19-06-2017
 Customer: _____
 Attention: _____
 Submitted by: FAREEDA DUDEKULA



326TTFCD6030

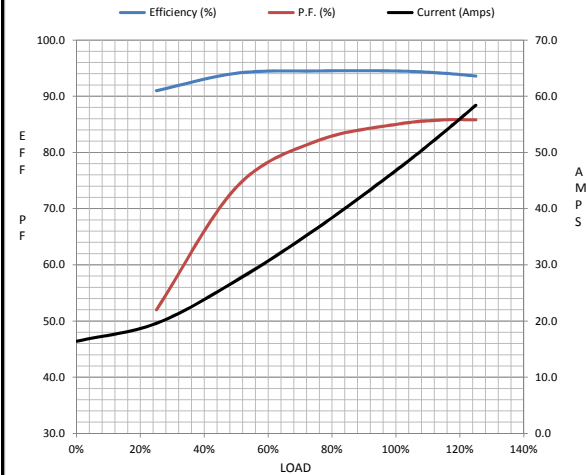
Submittal
 Data @ 575 V

Motor Load Data

Load	0%	25%	50%	75%	100%	115%	125%	LR
Current (Amps)	16.4	19.6	27.2	36.4	46.8	53.6	58.4	290
Torque (ft-lb)	0.00	36.5	73.5	110	148	170	185	265
RPM	1800	1795	1790	1788	1782	1,778	1775	0
Efficiency (%)		91.0	94.1	94.5	94.5	94.1	93.6	
P.F. (%)	4.5	52.0	73.8	82.0	85.0	85.8	85.8	32.0

Motor Speed Data

	LR	Pull-Up	BD	Rated	Idle	Information Block	
Speed (RPM)	0	900	1710	1782	1800	HP	50.0
Current (Amps)	290	228	165	46.8	16.4	Sync. RPM	1800
Torque (ft-lb)	265	225	383	148	0.00	Frame	326



HP	50.0			
Sync. RPM	1800			
Frame	326			
Enclosure	TEFC			
Construction	TFC			
Voltage	575 V			
Frequency	60 Hz			
Design	B			
LR Code letter	G			
Service Factor	1.15			
Temp Rise @ FL	65 ° C			
Duty	CONT			
Ambient	40 ° C			
Elevation	1,000 feet			
Rotor/Shaft wk²	12.0 Lb-Ft²			
Ref Wdg	HE32004006 NONE			
Sound Pressure @ 1M	65 dBA			
VFD Rating	VARIABLE 10:1			
Outline Dwg	SS312782			
Conn. Diag	EE7300			
Additional Specifications:				
0				
365THFS8036				
EQUIV CKT (OHMS / PHASE)				
R1	R2	X1	X2	Xm
0.1280	0.0770	0.6020	1.0990	20.3770

Speed -Torque Curve

