

PRODUCT INFORMATION PACKET

marathon[®]
Motors

Model No: 326TTFCD6076
Catalog No: GT1032A
30,1200,TEFC,326T,3/6/230/460
Totally Enclosed Fan Cooled (TEFC)



Regal and Marathon are trademarks of Regal Beloit Corporation or one of its affiliated companies.
©2018 Regal Beloit Corporation, All Rights Reserved. MC017097E

REGAL[®]



Nameplate Specifications

| | | | |
|----------------------------|------------------------------------|------------------------|-------------------|
| Output HP | 30 Hp | Output KW | 22.4 kW |
| Frequency | 60 Hz | Voltage | 230/460 V |
| Current | 76.0/38.0 A | Speed | 1185 rpm |
| Service Factor | 1.15 | Phase | 3 |
| Efficiency | 93 % | Duty | Continuous |
| Insulation Class | F | Design Code | B |
| KVA Code | G | Frame | 326T |
| Enclosure | Totally Enclosed Fan Cooled | Overload Protector | No |
| Ambient Temperature | 40 °C | Drive End Bearing Size | 6312 |
| Opp Drive End Bearing Size | 6212 | UL | Listed |
| CSA | Y | CE | Y |
| IP Code | 55 | | |

Technical Specifications

| | | | |
|-------------------|-------------------------------------|-----------------------|--|
| Electrical Type | Squirrel Cage Inverter Rated | Starting Method | Wye Start Delta Run Or Inverter |
| Poles | 6 | Rotation | Reversible |
| Mounting | Rigid base | Motor Orientation | Horizontal |
| Drive End Bearing | Ball | Opp Drive End Bearing | Ball |
| Frame Material | Cast Iron | Shaft Type | T |
| Overall Length | 31.19 in | Shaft Diameter | 2.125 in |
| Shaft Extension | 5.25 in | Assembly/Box Mounting | F1/F2 Capable |
| Outline Drawing | SS312782-326T | Connection Diagram | EE7308AA |

This is an uncontrolled document once printed or downloaded and is subject to change without notice. Date Created: 06/29/2018

4

3

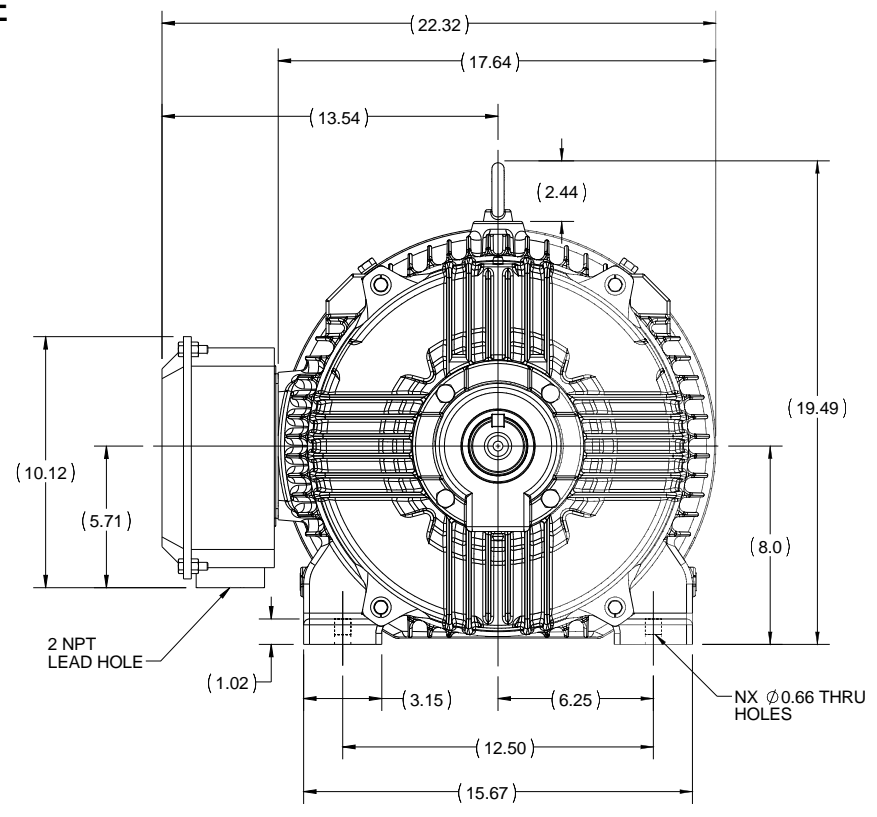
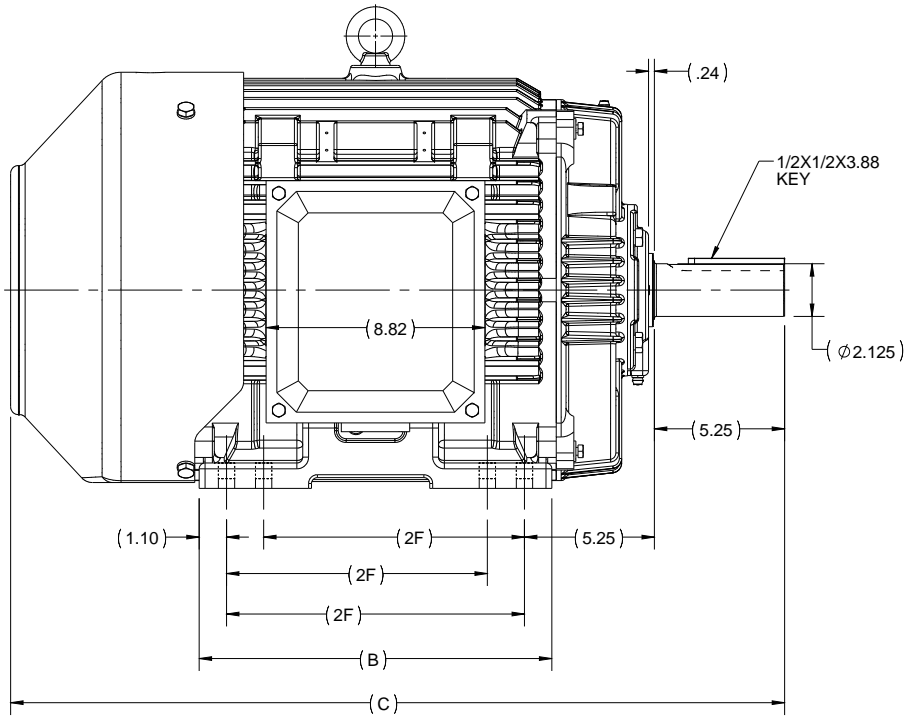
2

1

OUTLINE

B

B

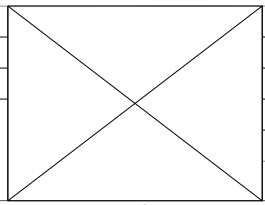



A

A

| | | | | |
|-------|-------|-------|------|---|
| 326T | 14.21 | 31.19 | 12.0 | 8 |
| 324T | 12.71 | 29.69 | 10.5 | 4 |
| FRAME | B | C | 2F | N |

| | | |
|---|-----------------------|------------------|
| DRAWING REVISION A | REVISION BY UDAY | DATE 4/7/2016 |
| ECO ECO-0105009 | APPROVED BY RAJESH | DATE 4/7/2016 |
| ECO DESCRIPTION NEW OUTLINE RELEASE | | |
| <small>COPYRIGHT REGAL BELOIT AMERICA, INC. ALL RIGHTS RESERVED. PROPRIETARY AND CONFIDENTIAL INFORMATION - THIS DOCUMENT IS THE PROPERTY OF REGAL BELOIT AMERICA, INC. ("OWNER") AND CONTAINS OWNER'S PROPRIETARY INFORMATION. ANY PERSON, CORPORATION OR OTHER FIRM RECEIVING IT IS DEEMED, BY RECEIVING IT, TO AGREE THAT IT, AND/OR ANY PART OF IT, SHALL NOT BE DISCLOSED TO ANY PERSON, CORPORATION OR OTHER ENTITY, DUPLICATED, AND/OR USED, EXCEPT AS EXPRESSLY APPROVED IN WRITING IN ADVANCE BY OWNER. THIS DOCUMENT SHALL BE RETURNED TO OWNER UPON REQUEST. IT MAY BE SUBJECT TO CERTAIN RESTRICTIONS UNDER APPLICABLE EXPORT CONTROL LAWS AND REGULATIONS.</small> | | |



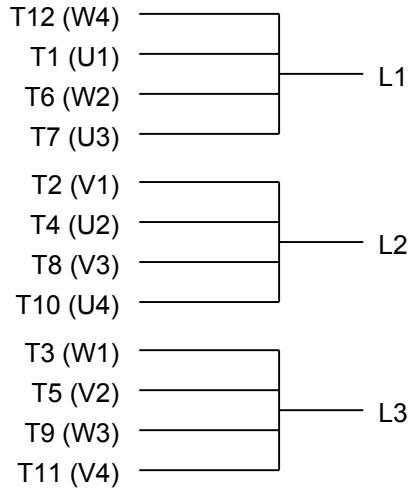
| | |
|---------------------------|--|
| DRAWN BY NIV |  Regal Beloit America, Inc. |
| DATE 25/03/2016 | |
| APPROVED BY SBD | DESCRIPTION OUTLINE 320T FR-TEFC |
| DATE 25/03/2016 | MATERIAL |
| REFERENCE | PROCESS/FINISH |
| THIRD ANGLE PROJECTION | SIZE B |
| | DRAWING NUMBER SS312782 |
| | SHEET 1 OF 1 |

4

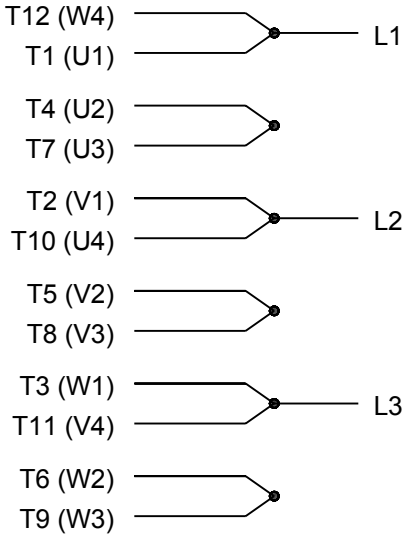
3

2

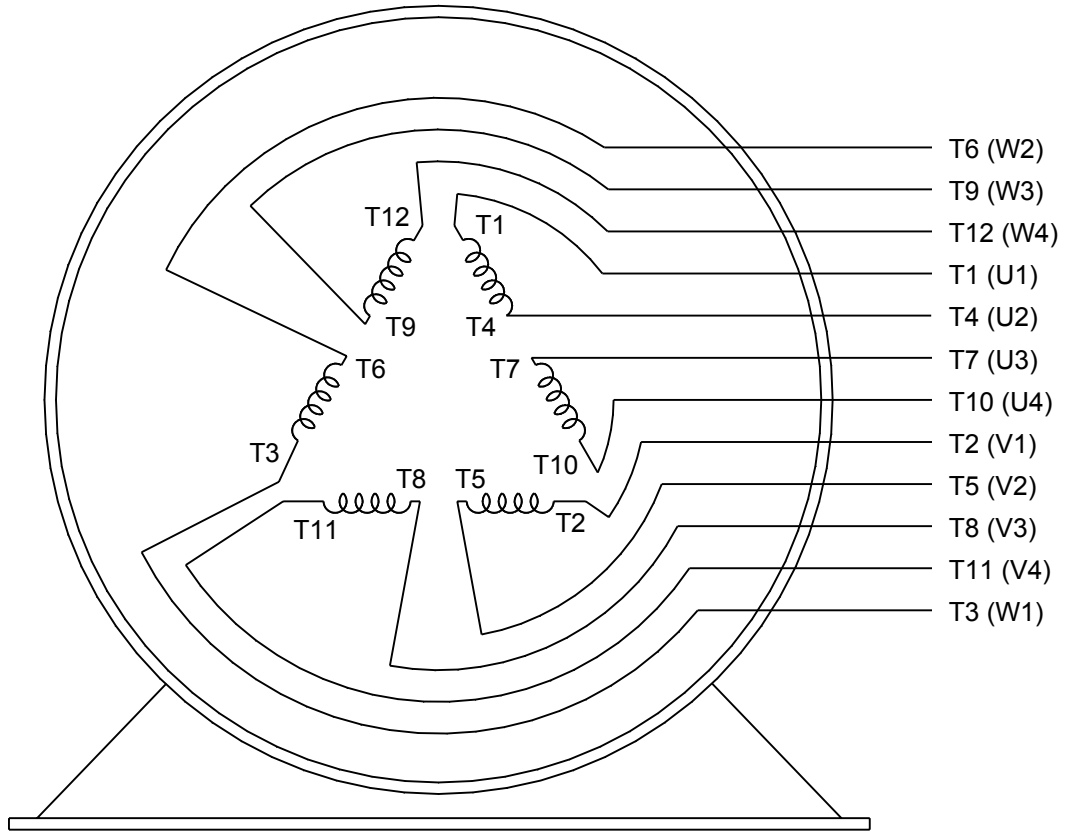
1



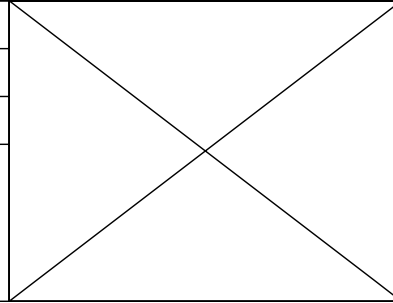
LOW VOLTAGE



HIGH VOLTAGE



| | | |
|--|------------------------------|---------------------------|
| DRAWING REVISION K | REVISION BY AJW | DATE 07-17-2015 |
| ECO ECO-0081632 | APPROVED BY T. VUE | DATE 07-17-2015 |
| ECO DESCRIPTION REV'D IEC MARKINGS PER IEC 60034-8 | | |
| COPYRIGHT REGAL BELOIT AMERICA, INC. ALL RIGHTS RESERVED. PROPRIETARY AND CONFIDENTIAL INFORMATION - THIS DOCUMENT IS THE PROPERTY OF REGAL BELOIT AMERICA, INC. ("OWNER") AND CONTAINS OWNER'S PROPRIETARY INFORMATION. ANY PERSON, CORPORATION OR OTHER FIRM RECEIVING IT IS DEEMED, BY RECEIVING IT, TO AGREE THAT IT, AND/OR ANY PART OF IT, SHALL NOT BE DISCLOSED TO ANY PERSON, CORPORATION OR OTHER ENTITY, DUPLICATED, AND/OR USED, EXCEPT AS EXPRESSLY APPROVED IN WRITING IN ADVANCE BY OWNER. THIS DOCUMENT SHALL BE RETURNED TO OWNER UPON REQUEST. IT MAY BE SUBJECT TO CERTAIN RESTRICTIONS UNDER APPLICABLE EXPORT CONTROL LAWS AND REGULATIONS. | | |



| | | |
|---------------------------|---|-----------------------------------|
| DRAWN BY LZ | Regal Beloit America, Inc. | |
| DATE 01-12-1994 | | |
| APPROVED BY GK | DESCRIPTION CONN DIAGRAM-EXTERNAL 3Ø-2/1 DELTA-12 LEADS | |
| DATE 01-14-1994 | | |
| REFERENCE | MATERIAL | PROCESS/FINISH |
| THIRD ANGLE PROJECTION | SIZE A | DRAWING NUMBER EE7308AA |
| | | SHEET 1 OF 1 |

CERTIFICATION DATA SHEET

Model#: 326TTFCD6076 AA **WINDING#:** HE32006004 NONE 2
CONN. DIAGRAM: EE7308AA **ASSEMBLY:** F1/F2 CAPABLE
OUTLINE: SS312782

TYPICAL MOTOR PERFORMANCE DATA

| HP | KW | SYNC. RPM | F.L. RPM | FRAME | ENCLOSURE | KVA CODE | DESIGN |
|-------|-----------|-----------|----------|-------|-----------|----------|--------|
| 30&25 | 22.4&18.7 | 1200 | 1185&985 | 326T | TEFC | G | B |

| PH | Hz | VOLTS | FL AMPS | START TYPE | DUTY | INSL | S.F | AMB°C | ELEVATION |
|----|-------|---------------------|---------------|-------------------------|----------------|------|-----------|-------|-----------|
| 3 | 60/50 | 230/460#190/ 380 | 76/38&77/38.5 | Y START D RUN OR INV | CONTINUOU S | F7 | 1.15/1.15 | 40 | 3300 |

| FULL LOAD EFF: 93&92.4 | 3/4 LOAD EFF: 93.3 | 1/2 LOAD EFF: 92.4 | GTD. EFF | ELEC. TYPE | NO LOAD AMPS |
|---------------------------|--------------------|--------------------|----------|-------------------|--------------|
| FULL LOAD PF: 79&79.5 | 3/4 LOAD PF: 73.5 | 1/2 LOAD PF: 62.5 | 92.4 | SQ CAGE INV RATED | 36 / 18 |

| F.L. TORQUE | LOCKED ROTOR AMPS | L.R. TORQUE | B.D. TORQUE | F.L. RISE°C |
|-------------|-------------------|---------------|---------------|-------------|
| 133 LB-FT | 434 / 217 | 252 LB-FT 190 | 332 LB-FT 250 | 65 |

| SOUND PRESSURE @ 3 FT. | SOUND POWER | ROTOR WK^2 | MAX. WK^2 | SAFE STALL TIME | STARTS /HOUR | APPROX. MOTOR WGT |
|---------------------------|-------------|--------------|-----------|-----------------|-----------------|----------------------|
| 58 dBA | 68 dBA | 12.8 LB-FT^2 | - LB-FT^2 | 20 SEC. | 2 | 775 LBS. |

***** SUPPLEMENTAL INFORMATION *****

| DE BRACKET TYPE | ODE BRACKET TYPE | MOUNT TYPE | ORIENTATION | SEVERE DUTY | HAZARDOUS LOCATION | DRIP COVER | SCREENS | PAINT |
|--------------------|---------------------|---------------|-------------|----------------|-----------------------|---------------|---------|------------------|
| STANDARD | STANDARD | RIGID | HORIZONTAL | FALSE | DIVISION 2 T2B | FALSE | NONE | BLUE (ENAMEL) |

| BEARINGS | | GREASE | SHAFT TYPE | SPECIAL DE | SPECIAL ODE | SHAFT MATERIAL | FRAME MATERIAL |
|----------|------|------------|------------|------------|-------------|----------------------------|-------------------|
| DE | OPE | | | | | | |
| BALL | BALL | POLYREX EM | T | NONE | NONE | 1045 HOT ROLLED (C-204) | CAST IRON |
| 6312 | 6212 | | | | | | |

| THERMO-PROTECTORS | | | | THERMISTORS | CONTROL | SPACE /n HEATERS |
|-------------------|------------|----------|----------|-------------|---------|------------------|
| THERMOSTATS | PROTECTORS | WDG RTDs | BRG RTDs | | | |
| NONE | NOT | NONE | NONE | NONE | FALSE | NONE VOLTS |

If Inverter equals NONE, contact factory for further information

| |
|--------------------------------|
| INVERTER TORQUE: VARIABLE 10:1 |
| INV. HP SPEED RANGE: NONE |
| ENCODER: NONE |
| NONE NONE |
| NONE NONE PPR |
| BRAKE: NONE NONE |
| NONE P/N NONE |
| NONE NONE |
| NONE FT-LB NONE V NONE Hz |

*
N
O
T
E
S
*

DATE: 06/21/2017 07:12:09 AM
 FORM 3531 REV.3 02/07/99

** Subject to change without notice.

